



**DIECI**

# EQUIPMENT CATALOG

Price List 10-2023



DOCCT000077-EN-10

[dieci.com](https://www.dieci.com)

# EQUIPMENT CATALOG TABLE OF CONTENTS

## TOOLS

### BUCKET

BUCKET FOR LIGHT MATERIALS	5
EXCAVATING BUCKET WITH TEETH	9
EXCAVATING BUCKET WITHOUT TEETH	11

### FIXED COUNTERPLATES

COUNTERPLATE	14
COUNTERPLATE WITH FEM FORKS	15
COUNTERPLATE WITH FLOATING FORKS	17

### FORKS

FLOATING FORKS	19
FORK WITH TWO PRONGS	21
FORK WITH THREE PRONGS	22

### SPECIAL ITEMS

MATERIAL BASKET	23
-----------------	----

## EQUIPMENT

### BUCKET

4 IN 1 BUCKET	25
BUCKET FOR FODDER WITH GRAB	28
BUCKET FOR SILAGE WITH GRAB	30
BUCKET FOR MANURE AND GENERIC MATERIAL WITH GRAB	32
MIXING BUCKET	34
LADLE	36

### FORKS

MULTIPURPOSE FORK WITH HOLDER	38
FORK FOR LOGS	40

### BLADES

ANGLED OZER BLADE	41
SNOW PLOUGH	42
TILTDOZER BLADE	43

### GRIPPERS

CLAMP FOR BIG WRAPPED BALES	44
GRIPPER FOR CYLINDERS	45
GRAB GRIPPERS FOR TWO ROLL BALES	46
GRIPPER FOR TIRES	47
ORANGE-PEEL GRABBER	49
CENTRING HANDLER	50
GRIPPER FOR PIPE	51

### FORK POSITIONER

FORK SPREADER SHIFTING UNIT (FOR HERCULES)	53
FORK SPREADER	55
FORKS SPREADER SHIFTER	57

# EQUIPMENT CATALOG TABLE OF CONTENTS

FORKS SHIFTING UNIT	58
FEM FORKS SHIFTING UNIT	59
<b>SPECIAL ITEMS</b>	
ROTATING COUNTERPLATE WITH FORKS	60
ANGLED SWEEPER	61
SWEEPER BOX WITH COLLECTION	62
FRONT SHREDDER	63
<b>LIFTING EQUIPMENT</b>	
<b>WINCHES</b>	
CRANE EXTENSION WITH WINCH	65
GOOSENECK CRANE EXTENSION WITH WINCH	67
WINCH FOR FORKS HOLDING PLATE	68
<b>HOOKS</b>	
CRANE EXTENSION WITH HOOK	70
GOOSENECK CRANE EXTENSION WITH HOOK	72
JIB WITH HOOK	74
HOOK FOR FORKS HOLDING PLATE	76
HOOK FOR WIDE FORKS HOLDING PLATE	77
<b>BASKETS</b>	
<b>FRONT BASKETS</b>	
FRONT BASKET	79
EXTENSIBLE FRONT BASKET	82
<b>TRILATERAL BASKETS</b>	
TRILATERAL BASKET	84
EXTENSIBLE TRILATERAL BASKET	86
TRILATERAL BASKET FOR TUNNELS	89
<b>POSITIVE/NEGATIVE JIB</b>	
POSITIVE / NEGATIVE JIB	91
<b>BASKETS WITH LIFTING EQUIPMENT</b>	
EXTENSIBLE TRILATERAL BASKET WITH WINCH	92
<b>BASKETS FOR LANDING AT HIGH ALTITUDE</b>	
EXTENSIBLE TRILATERAL BASKET WITH FRONT OPENING	93
<b>EQUIPMENT ACCESSORIES</b>	
<b>BUCKET</b>	
BLADE PROTECTOR AND/OR TEETH COVER	94
LEVEL INDICATOR	95
FULL REAR GUARD	96
SPLIT REAR GUARD	97

# Symbols key



Rope pull type



Extension type



SAE heap capacity



Width - A



Capacity (level)



Height - B



Load maximum density



Length - C



Number of teeth



Length- C1



Load yield



Max D



Equipment weight



Min D



Equipment capacity



E



Maximum walking surface width - A



F



Walking surface width - A



Center of gravity of the load



Walking surface length - C



Forks cross section, width



Number of persons transported



Forks cross section, height

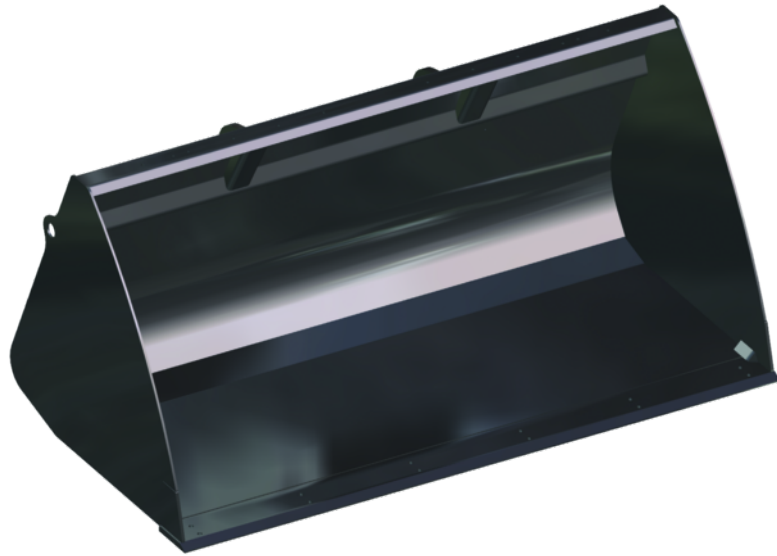


Forks length from tip to heel

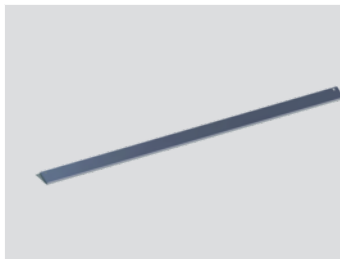


## Bucket for light materials

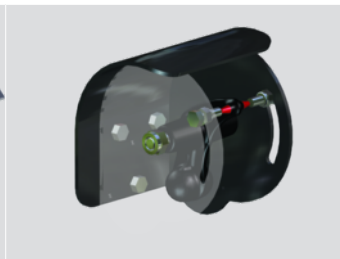
Indispensable tool for loading and handling material with a low specific weight, such as cereals, compost and shavings of various kinds.



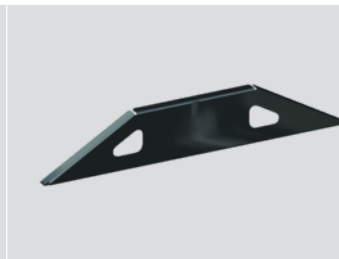
### Optionals:



Blade cover

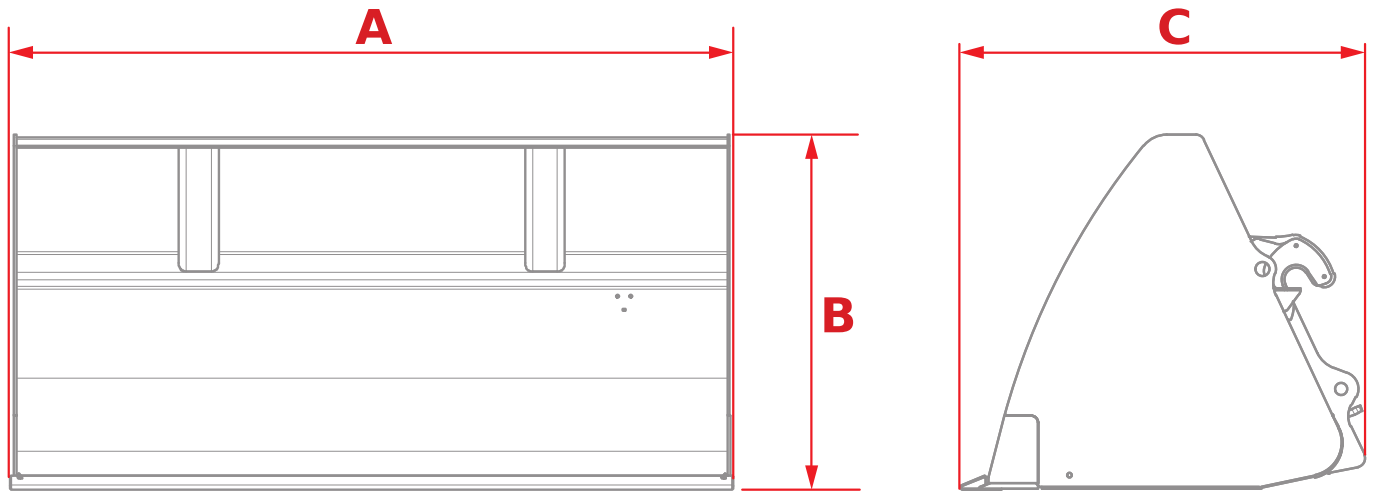


Mobile level indicator



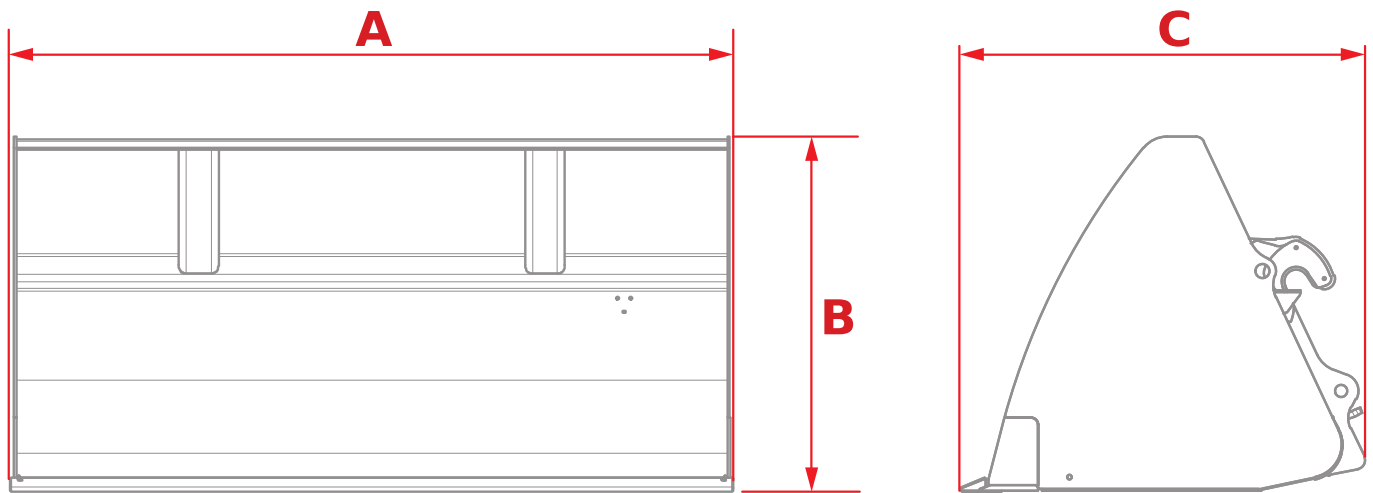
Full rear guard

# Technical data



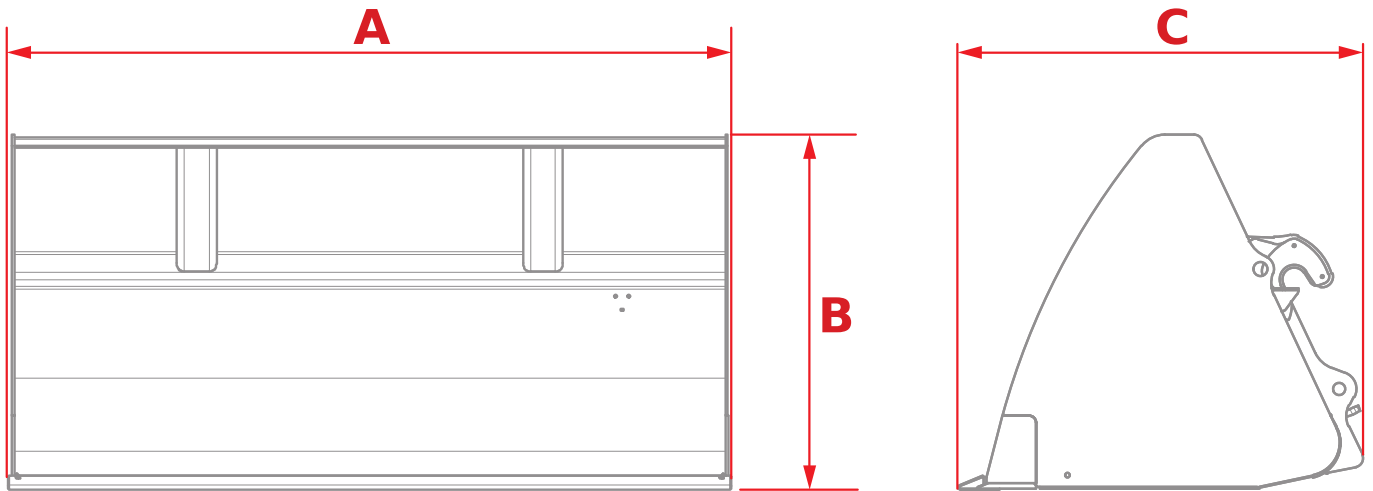
Code	A	B	C				
TBN0020	2370 mm (93.3 in)	1015 mm (40.0 in)	1025 mm (40.4 in)	1.2 m <sup>3</sup> (42 ft <sup>3</sup> )	0.9 m <sup>3</sup> (32 ft <sup>3</sup> )	500 kg/m <sup>3</sup> (31 lb/ft <sup>3</sup> )	360 kg (794 lb)
TBN0021	2370 mm (93.3 in)	1015 mm (40.0 in)	1025 mm (40.4 in)	1.2 m <sup>3</sup> (42 ft <sup>3</sup> )	0.9 m <sup>3</sup> (32 ft <sup>3</sup> )	500 kg/m <sup>3</sup> (31 lb/ft <sup>3</sup> )	400 kg (882 lb)
TBN0022	2370 mm (93.3 in)	1108 mm (43.6 in)	1175 mm (46.3 in)	1.5 m <sup>3</sup> (53 ft <sup>3</sup> )	1.2 m <sup>3</sup> (42 ft <sup>3</sup> )	500 kg/m <sup>3</sup> (31 lb/ft <sup>3</sup> )	365 kg (805 lb)
TBN0023	2370 mm (93.3 in)	1108 mm (43.6 in)	1175 mm (46.3 in)	1.5 m <sup>3</sup> (53 ft <sup>3</sup> )	1.2 m <sup>3</sup> (42 ft <sup>3</sup> )	500 kg/m <sup>3</sup> (31 lb/ft <sup>3</sup> )	405 kg (893 lb)
TBN0026	2370 mm (93.3 in)	1244 mm (49.0 in)	1325 mm (52.2 in)	2 m <sup>3</sup> (71 ft <sup>3</sup> )	1.6 m <sup>3</sup> (57 ft <sup>3</sup> )	800 kg/m <sup>3</sup> (50 lb/ft <sup>3</sup> )	485 kg (1069 lb)
TBN0027	2370 mm (93.3 in)	1244 mm (49.0 in)	1325 mm (52.2 in)	2 m <sup>3</sup> (71 ft <sup>3</sup> )	1.6 m <sup>3</sup> (57 ft <sup>3</sup> )	800 kg/m <sup>3</sup> (50 lb/ft <sup>3</sup> )	500 kg (1102 lb)
TBN0042	2370 mm (93.3 in)	1244 mm (49.0 in)	1325 mm (52.2 in)	2 m <sup>3</sup> (71 ft <sup>3</sup> )	1.6 m <sup>3</sup> (57 ft <sup>3</sup> )	800 kg/m <sup>3</sup> (50 lb/ft <sup>3</sup> )	485 kg (1069 lb)
TBN0043	2370 mm (93.3 in)	1244 mm (49.0 in)	1325 mm (52.2 in)	2 m <sup>3</sup> (71 ft <sup>3</sup> )	1.6 m <sup>3</sup> (57 ft <sup>3</sup> )	800 kg/m <sup>3</sup> (50 lb/ft <sup>3</sup> )	485 kg (1069 lb)
TBN0044	2450 mm (96.5 in)	1050 mm (41.3 in)	1240 mm (48.8 in)	2.5 m <sup>3</sup> (88 ft <sup>3</sup> )	2.1 m <sup>3</sup> (74 ft <sup>3</sup> )	800 kg/m <sup>3</sup> (50 lb/ft <sup>3</sup> )	660 kg (1455 lb)
TBN0045	2450 mm (96.5 in)	1050 mm (41.3 in)	1240 mm (48.8 in)	2.5 m <sup>3</sup> (88 ft <sup>3</sup> )	2.1 m <sup>3</sup> (74 ft <sup>3</sup> )	800 kg/m <sup>3</sup> (50 lb/ft <sup>3</sup> )	620 kg (1367 lb)
TBN0047	2370 mm (93.3 in)	1404 mm (55.3 in)	1519 mm (59.8 in)	3 m <sup>3</sup> (106 ft <sup>3</sup> )	2.5 m <sup>3</sup> (88 ft <sup>3</sup> )	800 kg/m <sup>3</sup> (50 lb/ft <sup>3</sup> )	595 kg (1312 lb)
TBN0048	2370 mm (93.3 in)	1404 mm (55.3 in)	1519 mm (59.8 in)	3 m <sup>3</sup> (106 ft <sup>3</sup> )	2.5 m <sup>3</sup> (88 ft <sup>3</sup> )	800 kg/m <sup>3</sup> (50 lb/ft <sup>3</sup> )	600 kg (1323 lb)
TBN0053	2390 mm (94.1 in)	865 mm (34.1 in)	826 mm (32.5 in)	0.75 m <sup>3</sup> (26 ft <sup>3</sup> )	0.6 m <sup>3</sup> (21 ft <sup>3</sup> )	500 kg/m <sup>3</sup> (31 lb/ft <sup>3</sup> )	360 kg (794 lb)
TBN0054	2390 mm (94.1 in)	865 mm (34.1 in)	826 mm (32.5 in)	0.75 m <sup>3</sup> (26 ft <sup>3</sup> )	0.6 m <sup>3</sup> (21 ft <sup>3</sup> )	500 kg/m <sup>3</sup> (31 lb/ft <sup>3</sup> )	380 kg (838 lb)
TBN0076	1800 mm (70.9 in)	1015 mm (40.0 in)	1098 mm (43.2 in)	0.9 m <sup>3</sup> (32 ft <sup>3</sup> )	0.75 m <sup>3</sup> (26 ft <sup>3</sup> )	800 kg/m <sup>3</sup> (50 lb/ft <sup>3</sup> )	470 kg (1036 lb)
TBN0094	2500 mm (98.4 in)	1335 mm (52.6 in)	1713 mm (67.4 in)	4.5 m <sup>3</sup> (159 ft <sup>3</sup> )	4 m <sup>3</sup> (141 ft <sup>3</sup> )	800 kg/m <sup>3</sup> (50 lb/ft <sup>3</sup> )	1730 kg (3814 lb)
TBN0095	2500 mm (98.4 in)	1335 mm (52.6 in)	1713 mm (67.4 in)	4.5 m <sup>3</sup> (159 ft <sup>3</sup> )	4 m <sup>3</sup> (141 ft <sup>3</sup> )	800 kg/m <sup>3</sup> (50 lb/ft <sup>3</sup> )	1780 kg (3924 lb)
TBN0106	2400 mm (94.5 in)	950 mm (37.4 in)	1087 mm (42.8 in)	1.5 m <sup>3</sup> (53 ft <sup>3</sup> )	-	800 kg/m <sup>3</sup> (50 lb/ft <sup>3</sup> )	535 kg (1179 lb)
TBN0107	2400 mm (94.5 in)	950 mm (37.4 in)	1087 mm (42.8 in)	1.5 m <sup>3</sup> (53 ft <sup>3</sup> )	-	800 kg/m <sup>3</sup> (50 lb/ft <sup>3</sup> )	605 kg (1334 lb)
TBN0108	2400 mm (94.5 in)	1150 mm (45.3 in)	1387 mm (54.6 in)	2.5 m <sup>3</sup> (88 ft <sup>3</sup> )	2.1 m <sup>3</sup> (74 ft <sup>3</sup> )	500 kg/m <sup>3</sup> (31 lb/ft <sup>3</sup> )	675 kg (1488 lb)
TBN0109	2400 mm (94.5 in)	1150 mm (45.3 in)	1387 mm (54.6 in)	2.5 m <sup>3</sup> (88 ft <sup>3</sup> )	2.1 m <sup>3</sup> (74 ft <sup>3</sup> )	500 kg/m <sup>3</sup> (31 lb/ft <sup>3</sup> )	740 kg (1631 lb)
TBN0114	1980 mm (78.0 in)	925 mm (36.4 in)	1120 mm (44.1 in)	1.25 m <sup>3</sup> (44 ft <sup>3</sup> )	1 m <sup>3</sup> (35 ft <sup>3</sup> )	800 kg/m <sup>3</sup> (50 lb/ft <sup>3</sup> )	365 kg (805 lb)
TBN0124	1980 mm (78.0 in)	925 mm (36.4 in)	1120 mm (44.1 in)	1.25 m <sup>3</sup> (44 ft <sup>3</sup> )	1 m <sup>3</sup> (35 ft <sup>3</sup> )	800 kg/m <sup>3</sup> (50 lb/ft <sup>3</sup> )	335 kg (739 lb)
TBN0127	1980 mm (78.0 in)	1000 mm (39.4 in)	1245 mm (49.0 in)	1.5 m <sup>3</sup> (53 ft <sup>3</sup> )	1.2 m <sup>3</sup> (42 ft <sup>3</sup> )	500 kg/m <sup>3</sup> (31 lb/ft <sup>3</sup> )	370 kg (816 lb)
TBN0128	1980 mm (78.0 in)	1000 mm (39.4 in)	1245 mm (49.0 in)	1.5 m <sup>3</sup> (53 ft <sup>3</sup> )	1.2 m <sup>3</sup> (42 ft <sup>3</sup> )	500 kg/m <sup>3</sup> (31 lb/ft <sup>3</sup> )	400 kg (882 lb)
TBN0165	2100 mm (82.7 in)	925 mm (36.4 in)	1084 mm (42.7 in)	1.35 m <sup>3</sup> (48 ft <sup>3</sup> )	0.9 m <sup>3</sup> (32 ft <sup>3</sup> )	800 kg/m <sup>3</sup> (50 lb/ft <sup>3</sup> )	355 kg (783 lb)
TBN0166	1980 mm (78.0 in)	925 mm (36.4 in)	1170 mm (46.1 in)	1.25 m <sup>3</sup> (44 ft <sup>3</sup> )	1 m <sup>3</sup> (35 ft <sup>3</sup> )	800 kg/m <sup>3</sup> (50 lb/ft <sup>3</sup> )	345 kg (761 lb)
TBN0167	2100 mm (82.7 in)	925 mm (36.4 in)	1084 mm (42.7 in)	1.35 m <sup>3</sup> (48 ft <sup>3</sup> )	0.9 m <sup>3</sup> (32 ft <sup>3</sup> )	800 kg/m <sup>3</sup> (50 lb/ft <sup>3</sup> )	390 kg (860 lb)
TBN0168	1980 mm (78.0 in)	925 mm (36.4 in)	1170 mm (46.1 in)	1.25 m <sup>3</sup> (44 ft <sup>3</sup> )	-	800 kg/m <sup>3</sup> (50 lb/ft <sup>3</sup> )	375 kg (827 lb)
TBN0169	2100 mm (82.7 in)	1000 mm (39.4 in)	1209 mm (47.6 in)	1.65 m <sup>3</sup> (58 ft <sup>3</sup> )	1.3 m <sup>3</sup> (46 ft <sup>3</sup> )	500 kg/m <sup>3</sup> (31 lb/ft <sup>3</sup> )	390 kg (860 lb)

# Technical data



Code	A	B	C				
TBN0170	1980 mm (78.0 in)	1000 mm (39.4 in)	1295 mm (51.0 in)	1.5 m <sup>3</sup> (53 ft <sup>3</sup> )	-	500 kg/m <sup>3</sup> (31 lb/ft <sup>3</sup> )	380 kg (838 lb)
TBN0171	2100 mm (82.7 in)	1000 mm (39.4 in)	1209 mm (47.6 in)	1.65 m <sup>3</sup> (58 ft <sup>3</sup> )	1,3 m <sup>3</sup> (46 ft <sup>3</sup> )	500 kg/m <sup>3</sup> (31 lb/ft <sup>3</sup> )	425 kg (937 lb)
TBN0172	1980 mm (78.0 in)	1000 mm (39.4 in)	1295 mm (51.0 in)	1.5 m <sup>3</sup> (53 ft <sup>3</sup> )	-	500 kg/m <sup>3</sup> (31 lb/ft <sup>3</sup> )	410 kg (904 lb)
TBN0195	2400 mm (94.5 in)	950 mm (37.4 in)	1087 mm (42.8 in)	1.5 m <sup>3</sup> (53 ft <sup>3</sup> )	1.2 m <sup>3</sup> (42 ft <sup>3</sup> )	800 kg/m <sup>3</sup> (50 lb/ft <sup>3</sup> )	535 kg (1179 lb)
TBN0196	2400 mm (94.5 in)	950 mm (37.4 in)	1065 mm (41.9 in)	1.5 m <sup>3</sup> (53 ft <sup>3</sup> )	1.2 m <sup>3</sup> (42 ft <sup>3</sup> )	800 kg/m <sup>3</sup> (50 lb/ft <sup>3</sup> )	540 kg (1190 lb)
TBN0197	2450 mm (96.5 in)	1050 mm (41.3 in)	1237 mm (48.7 in)	2 m <sup>3</sup> (71 ft <sup>3</sup> )	1.6 m <sup>3</sup> (57 ft <sup>3</sup> )	800 kg/m <sup>3</sup> (50 lb/ft <sup>3</sup> )	600 kg (1323 lb)
TBN0198	2450 mm (96.5 in)	1200 mm (47.2 in)	1308 mm (51.5 in)	2.5 m <sup>3</sup> (88 ft <sup>3</sup> )	2.1 m <sup>3</sup> (74 ft <sup>3</sup> )	800 kg/m <sup>3</sup> (50 lb/ft <sup>3</sup> )	680 kg (1499 lb)
TBN0199	2400 mm (94.5 in)	950 mm (37.4 in)	1087 mm (42.8 in)	1.5 m <sup>3</sup> (53 ft <sup>3</sup> )	1.2 m <sup>3</sup> (42 ft <sup>3</sup> )	800 kg/m <sup>3</sup> (50 lb/ft <sup>3</sup> )	605 kg (1334 lb)
TBN0200	2400 mm (94.5 in)	950 mm (37.4 in)	1065 mm (41.9 in)	1.5 m <sup>3</sup> (53 ft <sup>3</sup> )	1.2 m <sup>3</sup> (42 ft <sup>3</sup> )	800 kg/m <sup>3</sup> (50 lb/ft <sup>3</sup> )	605 kg (1334 lb)
TBN0201	2450 mm (96.5 in)	1050 mm (41.3 in)	1237 mm (48.7 in)	2 m <sup>3</sup> (71 ft <sup>3</sup> )	1.6 m <sup>3</sup> (57 ft <sup>3</sup> )	800 kg/m <sup>3</sup> (50 lb/ft <sup>3</sup> )	680 kg (1499 lb)
TBN0202	2450 mm (96.5 in)	1200 mm (47.2 in)	1308 mm (51.5 in)	2.5 m <sup>3</sup> (88 ft <sup>3</sup> )	2.1 m <sup>3</sup> (74 ft <sup>3</sup> )	800 kg/m <sup>3</sup> (50 lb/ft <sup>3</sup> )	750 kg (1653 lb)
TBN0203	2400 mm (94.5 in)	1150 mm (45.3 in)	1387 mm (54.6 in)	2.5 m <sup>3</sup> (88 ft <sup>3</sup> )	2.1 m <sup>3</sup> (74 ft <sup>3</sup> )	500 kg/m <sup>3</sup> (31 lb/ft <sup>3</sup> )	675 kg (1488 lb)
TBN0204	2400 mm (94.5 in)	1150 mm (45.3 in)	1365 mm (53.7 in)	2.5 m <sup>3</sup> (88 ft <sup>3</sup> )	2.1 m <sup>3</sup> (74 ft <sup>3</sup> )	500 kg/m <sup>3</sup> (31 lb/ft <sup>3</sup> )	675 kg (1488 lb)
TBN0205	2450 mm (96.5 in)	1225 mm (48.2 in)	1498 mm (59.0 in)	3 m <sup>3</sup> (106 ft <sup>3</sup> )	2.6 m <sup>3</sup> (92 ft <sup>3</sup> )	500 kg/m <sup>3</sup> (31 lb/ft <sup>3</sup> )	735 kg (1620 lb)
TBN0206	2450 mm (96.5 in)	1225 mm (48.2 in)	1498 mm (59.0 in)	3 m <sup>3</sup> (106 ft <sup>3</sup> )	2.6 m <sup>3</sup> (92 ft <sup>3</sup> )	500 kg/m <sup>3</sup> (31 lb/ft <sup>3</sup> )	732 kg (1614 lb)
TBN0207	2450 mm (96.5 in)	1300 mm (51.2 in)	1680 mm (66.1 in)	3.5 m <sup>3</sup> (124 ft <sup>3</sup> )	3.1 m <sup>3</sup> (109 ft <sup>3</sup> )	500 kg/m <sup>3</sup> (31 lb/ft <sup>3</sup> )	765 kg (1687 lb)
TBN0208	2400 mm (94.5 in)	1150 mm (45.3 in)	1387 mm (54.6 in)	2.5 m <sup>3</sup> (88 ft <sup>3</sup> )	2.1 m <sup>3</sup> (74 ft <sup>3</sup> )	500 kg/m <sup>3</sup> (31 lb/ft <sup>3</sup> )	740 kg (1631 lb)
TBN0209	2400 mm (94.5 in)	1150 mm (45.3 in)	1365 mm (53.7 in)	2.5 m <sup>3</sup> (88 ft <sup>3</sup> )	2.1 m <sup>3</sup> (74 ft <sup>3</sup> )	500 kg/m <sup>3</sup> (31 lb/ft <sup>3</sup> )	740 kg (1631 lb)
TBN0210	2450 mm (96.5 in)	1225 mm (48.2 in)	1498 mm (59.0 in)	3 m <sup>3</sup> (106 ft <sup>3</sup> )	2.6 m <sup>3</sup> (92 ft <sup>3</sup> )	500 kg/m <sup>3</sup> (31 lb/ft <sup>3</sup> )	815 kg (1797 lb)
TBN0212	2450 mm (96.5 in)	1300 mm (51.2 in)	1680 mm (66.1 in)	3.5 m <sup>3</sup> (124 ft <sup>3</sup> )	3.1 m <sup>3</sup> (109 ft <sup>3</sup> )	500 kg/m <sup>3</sup> (31 lb/ft <sup>3</sup> )	865 kg (1907 lb)
TBN0316	2400 mm (94.5 in)	950 mm (37.4 in)	1087 mm (42.8 in)	1.5 m <sup>3</sup> (53 ft <sup>3</sup> )	-	800 kg/m <sup>3</sup> (50 lb/ft <sup>3</sup> )	535 kg (1179 lb)
TBN0317	2400 mm (94.5 in)	950 mm (37.4 in)	1087 mm (42.8 in)	1.5 m <sup>3</sup> (53 ft <sup>3</sup> )	-	800 kg/m <sup>3</sup> (50 lb/ft <sup>3</sup> )	605 kg (1334 lb)
TBN0320	2450 mm (96.5 in)	1280 mm (50.4 in)	1520 mm (59.8 in)	3 m <sup>3</sup> (106 ft <sup>3</sup> )	2.6 m <sup>3</sup> (92 ft <sup>3</sup> )	500 kg/m <sup>3</sup> (31 lb/ft <sup>3</sup> )	665 kg (1466 lb)
TBN0321	2450 mm (96.5 in)	1450 mm (57.1 in)	1820 mm (71.7 in)	4 m <sup>3</sup> (141 ft <sup>3</sup> )	3.6 m <sup>3</sup> (127 ft <sup>3</sup> )	500 kg/m <sup>3</sup> (31 lb/ft <sup>3</sup> )	890 kg (1962 lb)
TBN0322	2750 mm (108.3 in)	1350 mm (53.1 in)	1620 mm (63.8 in)	3.5 m <sup>3</sup> (124 ft <sup>3</sup> )	3,2 m <sup>3</sup> (113 ft <sup>3</sup> )	500 kg/m <sup>3</sup> (31 lb/ft <sup>3</sup> )	810 kg (1786 lb)
TBN0329	1700 mm (66.9 in)	1124 mm (44.3 in)	1270 mm (50.0 in)	1.4 m <sup>3</sup> (49 ft <sup>3</sup> )	1.1 m <sup>3</sup> (39 ft <sup>3</sup> )	500 kg/m <sup>3</sup> (31 lb/ft <sup>3</sup> )	470 kg (1036 lb)
TBN0330	1700 mm (66.9 in)	1144 mm (45.0 in)	1340 mm (52.8 in)	1.4 m <sup>3</sup> (49 ft <sup>3</sup> )	1.1 m <sup>3</sup> (39 ft <sup>3</sup> )	500 kg/m <sup>3</sup> (31 lb/ft <sup>3</sup> )	455 kg (1003 lb)
TBN0338	2500 mm (98.4 in)	1335 mm (52.6 in)	1713 mm (67.4 in)	4.5 m <sup>3</sup> (159 ft <sup>3</sup> )	4 m <sup>3</sup> (141 ft <sup>3</sup> )	800 kg/m <sup>3</sup> (50 lb/ft <sup>3</sup> )	1730 kg (3814 lb)
TBN0339	2500 mm (98.4 in)	1335 mm (52.6 in)	1713 mm (67.4 in)	4.5 m <sup>3</sup> (159 ft <sup>3</sup> )	4 m <sup>3</sup> (141 ft <sup>3</sup> )	800 kg/m <sup>3</sup> (50 lb/ft <sup>3</sup> )	1780 kg (3924 lb)
TBN0343	1700 mm (66.9 in)	1055 mm (41.5 in)	1130 mm (44.5 in)	1 m <sup>3</sup> (35 ft <sup>3</sup> )	0.75 m <sup>3</sup> (26 ft <sup>3</sup> )	500 kg/m <sup>3</sup> (31 lb/ft <sup>3</sup> )	410 kg (904 lb)

# Technical data



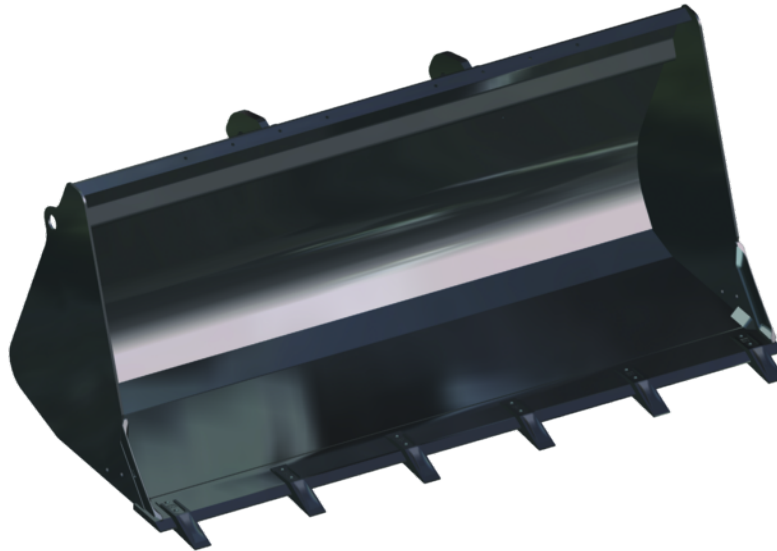
Code	A	B	C				
TBN0352	2400 mm (94.5 in)	950 mm (37.4 in)	1065 mm (41.9 in)	1.5 m <sup>3</sup> (53 ft <sup>3</sup> )	1.2 m <sup>3</sup> (42 ft <sup>3</sup> )	800 kg/m <sup>3</sup> (50 lb/ft <sup>3</sup> )	540 kg (1190 lb)
TBN0353	2400 mm (94.5 in)	950 mm (37.4 in)	1065 mm (41.9 in)	1.5 m <sup>3</sup> (53 ft <sup>3</sup> )	1.2 m <sup>3</sup> (42 ft <sup>3</sup> )	800 kg/m <sup>3</sup> (50 lb/ft <sup>3</sup> )	605 kg (1334 lb)
TBN0354	2450 mm (96.5 in)	1050 mm (41.3 in)	1237 mm (48.7 in)	2 m <sup>3</sup> (71 ft <sup>3</sup> )	1.6 m <sup>3</sup> (57 ft <sup>3</sup> )	800 kg/m <sup>3</sup> (50 lb/ft <sup>3</sup> )	600 kg (1323 lb)
TBN0355	2450 mm (96.5 in)	1050 mm (41.3 in)	1237 mm (48.7 in)	2 m <sup>3</sup> (71 ft <sup>3</sup> )	1.6 m <sup>3</sup> (57 ft <sup>3</sup> )	800 kg/m <sup>3</sup> (50 lb/ft <sup>3</sup> )	680 kg (1499 lb)
TBN0362	2400 mm (94.5 in)	946 mm (37.2 in)	1072 mm (42.2 in)	1.5 m <sup>3</sup> (53 ft <sup>3</sup> )	1,3 m <sup>3</sup> (46 ft <sup>3</sup> )	4000 kg/m <sup>3</sup> (250 lb/ft <sup>3</sup> )	540 kg (1190 lb)
TBN0363	2400 mm (94.5 in)	946 mm (37.2 in)	1072 mm (42.2 in)	1.5 m <sup>3</sup> (53 ft <sup>3</sup> )	1,3 m <sup>3</sup> (46 ft <sup>3</sup> )	4000 kg/m <sup>3</sup> (250 lb/ft <sup>3</sup> )	540 kg (1190 lb)



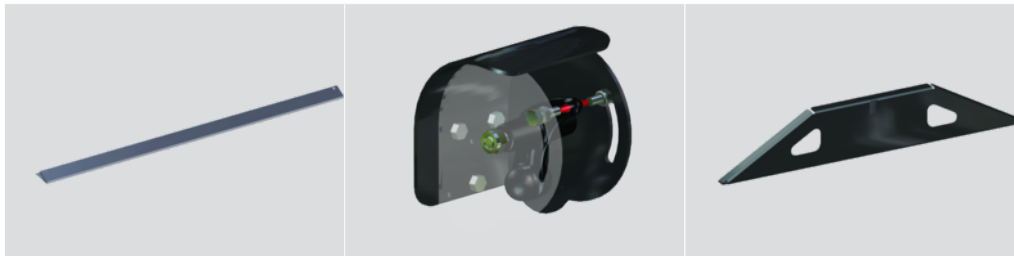
## Excavating bucket with teeth

The excavating bucket with teeth has been designed for excavating and loading high density soils, such as earth, sand gravel and compact clay.

The teeth are interchangeable and provide excellent penetration, essential for working with high density material.



### Optionals:

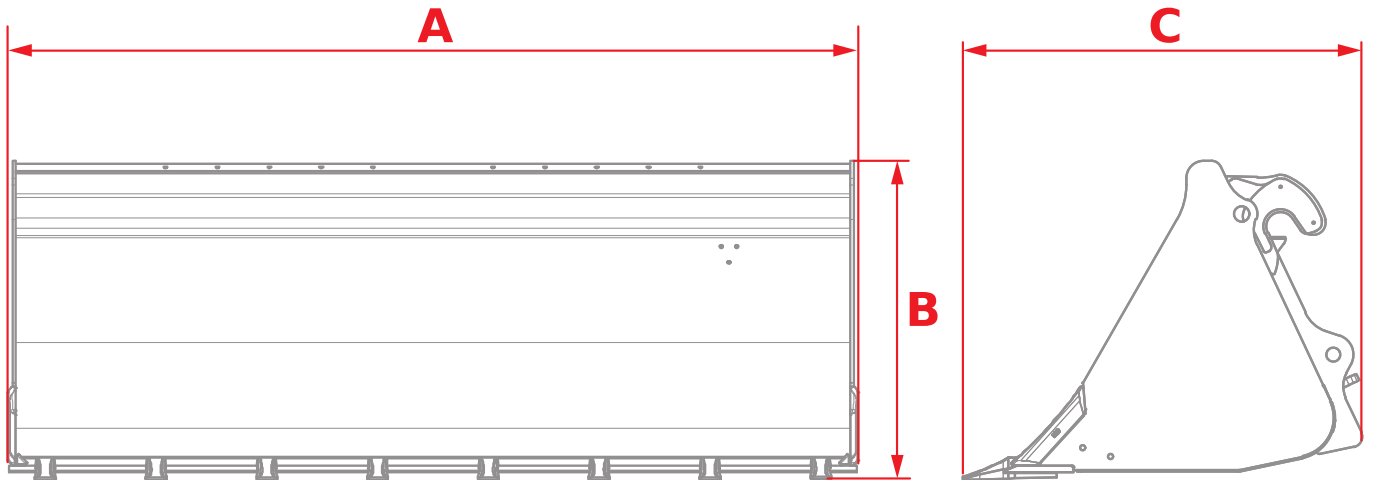


Blade cover

Mobile level indicator

Full rear guard

# Technical data



Code	A	B	C					
TBN0037	2370 mm (93.3 in)	890 mm (35.0 in)	937 mm (36.9 in)	0.9 m <sup>3</sup> (32 ft <sup>3</sup> )	0.7 m <sup>3</sup> (25 ft <sup>3</sup> )	1800 kg/m <sup>3</sup> (112 lb/ft <sup>3</sup> )	8	405 kg (893 lb)
TBN0038	2370 mm (93.3 in)	890 mm (35.0 in)	937 mm (36.9 in)	0.9 m <sup>3</sup> (32 ft <sup>3</sup> )	0.7 m <sup>3</sup> (25 ft <sup>3</sup> )	1800 kg/m <sup>3</sup> (112 lb/ft <sup>3</sup> )	8	440 kg (970 lb)
TBN0068	1820 mm (71.7 in)	884 mm (34.8 in)	800 mm (31.5 in)	0.48 m <sup>3</sup> (17 ft <sup>3</sup> )	0.4 m <sup>3</sup> (14 ft <sup>3</sup> )	1800 kg/m <sup>3</sup> (112 lb/ft <sup>3</sup> )	5	370 kg (816 lb)
TBN0093	2500 mm (98.4 in)	1389 mm (54.7 in)	1924 mm (75.7 in)	3 m <sup>3</sup> (106 ft <sup>3</sup> )	2.6 m <sup>3</sup> (92 ft <sup>3</sup> )	1800 kg/m <sup>3</sup> (112 lb/ft <sup>3</sup> )	8	1485 kg (3274 lb)
TBN0102	2300 mm (90.6 in)	893 mm (35.2 in)	965 mm (38.0 in)	1.2 m <sup>3</sup> (42 ft <sup>3</sup> )	0.95 m <sup>3</sup> (34 ft <sup>3</sup> )	1800 kg/m <sup>3</sup> (112 lb/ft <sup>3</sup> )	7	490 kg (1080 lb)
TBN0105	2400 mm (94.5 in)	893 mm (35.2 in)	987 mm (38.9 in)	1 m <sup>3</sup> (35 ft <sup>3</sup> )	0.8 m <sup>3</sup> (28 ft <sup>3</sup> )	1800 kg/m <sup>3</sup> (112 lb/ft <sup>3</sup> )	8	515 kg (1135 lb)
TBN0117	1980 mm (78.0 in)	850 mm (33.5 in)	945 mm (37.2 in)	0.85 m <sup>3</sup> (30 ft <sup>3</sup> )	0.67 m <sup>3</sup> (24 ft <sup>3</sup> )	1800 kg/m <sup>3</sup> (112 lb/ft <sup>3</sup> )	6	300 kg (661 lb)
TBN0121	1900 mm (74.8 in)	850 mm (33.5 in)	945 mm (37.2 in)	0.8 m <sup>3</sup> (28 ft <sup>3</sup> )	0.6 m <sup>3</sup> (21 ft <sup>3</sup> )	1800 kg/m <sup>3</sup> (112 lb/ft <sup>3</sup> )	6	290 kg (639 lb)
TBN0162	2100 mm (82.7 in)	850 mm (33.5 in)	909 mm (35.8 in)	0.9 m <sup>3</sup> (32 ft <sup>3</sup> )	0.75 m <sup>3</sup> (26 ft <sup>3</sup> )	1800 kg/m <sup>3</sup> (112 lb/ft <sup>3</sup> )	6	320 kg (705 lb)
TBN0163	2100 mm (82.7 in)	850 mm (33.5 in)	995 mm (39.2 in)	0.9 m <sup>3</sup> (32 ft <sup>3</sup> )	0.75 m <sup>3</sup> (26 ft <sup>3</sup> )	1800 kg/m <sup>3</sup> (112 lb/ft <sup>3</sup> )	6	320 kg (705 lb)
TBN0191	2400 mm (94.5 in)	893 mm (35.2 in)	987 mm (38.9 in)	1 m <sup>3</sup> (35 ft <sup>3</sup> )	0.75 m <sup>3</sup> (26 ft <sup>3</sup> )	1800 kg/m <sup>3</sup> (112 lb/ft <sup>3</sup> )	8	515 kg (1135 lb)
TBN0194	2450 mm (96.5 in)	900 mm (35.4 in)	1033 mm (40.7 in)	1.25 m <sup>3</sup> (44 ft <sup>3</sup> )	1 m <sup>3</sup> (35 ft <sup>3</sup> )	1800 kg/m <sup>3</sup> (112 lb/ft <sup>3</sup> )	8	580 kg (1279 lb)
TBN0302	3000 mm (118.1 in)	1390 mm (54.7 in)	1924 mm (75.7 in)	3.8 m <sup>3</sup> (134 ft <sup>3</sup> )	3.5 m <sup>3</sup> (124 ft <sup>3</sup> )	1800 kg/m <sup>3</sup> (112 lb/ft <sup>3</sup> )	8	1750 kg (3858 lb)
TBN0327	1700 mm (66.9 in)	845 mm (33.3 in)	1094 mm (43.1 in)	0.7 m <sup>3</sup> (25 ft <sup>3</sup> )	0.5 m <sup>3</sup> (18 ft <sup>3</sup> )	1800 kg/m <sup>3</sup> (112 lb/ft <sup>3</sup> )	5	295 kg (650 lb)
TBN0337	2500 mm (98.4 in)	1389 mm (54.7 in)	1924 mm (75.7 in)	3 m <sup>3</sup> (106 ft <sup>3</sup> )	2.6 m <sup>3</sup> (92 ft <sup>3</sup> )	1800 kg/m <sup>3</sup> (112 lb/ft <sup>3</sup> )	8	1485 kg (3274 lb)
TBN0350	2300 mm (90.6 in)	893 mm (35.2 in)	965 mm (38.0 in)	1.2 m <sup>3</sup> (42 ft <sup>3</sup> )	0.95 m <sup>3</sup> (34 ft <sup>3</sup> )	1800 kg/m <sup>3</sup> (112 lb/ft <sup>3</sup> )	7	490 kg (1080 lb)

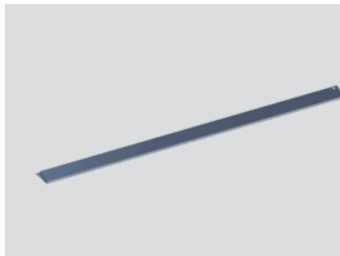
## Excavating bucket without teeth

The excavating bucket has been designed for excavating and loading high density soils, such as earth, sand gravel and compact clay.

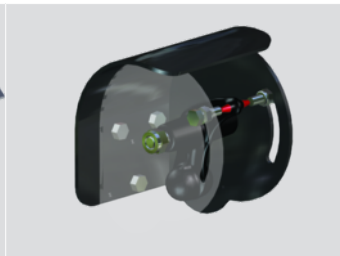
The bucket shape provides excellent penetration, with consequent maximization of the load to move it in a stable way.



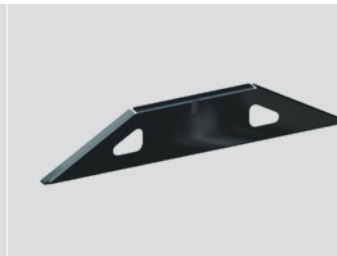
### Optionals:



Blade cover

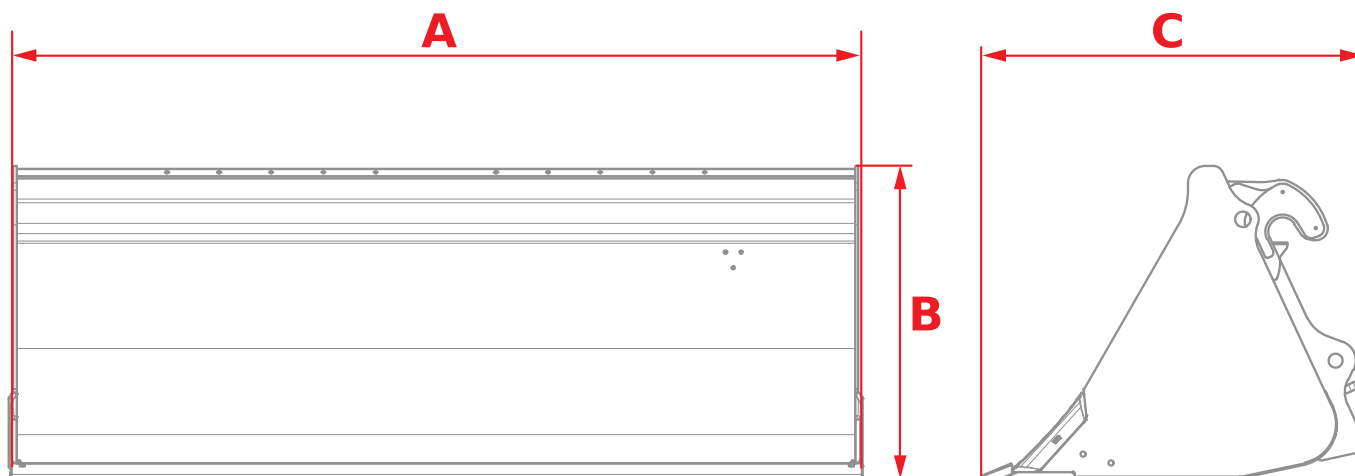


Mobile level indicator



Full rear guard

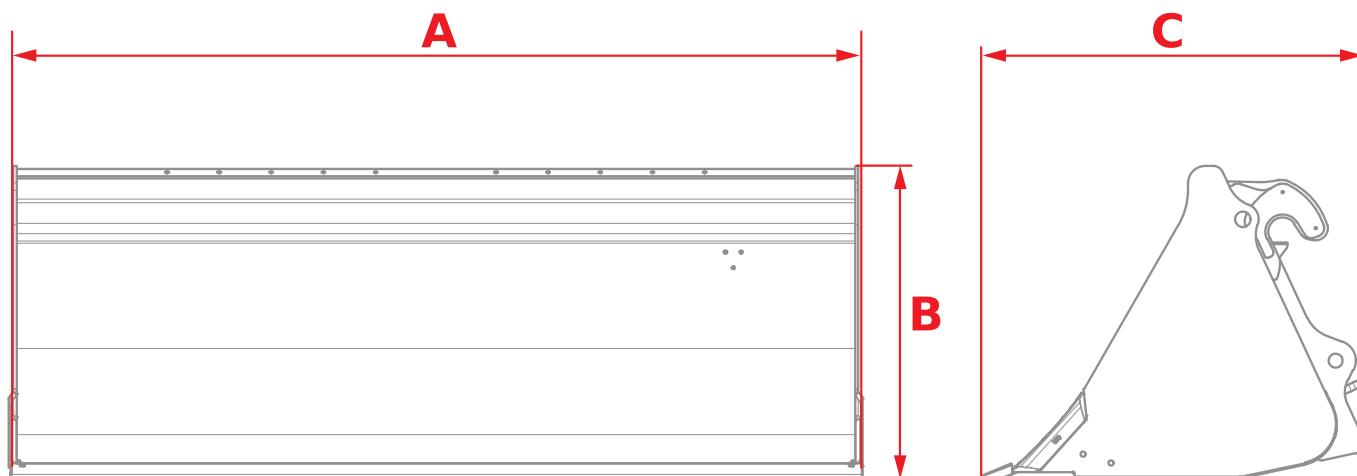
# Technical data



Code	A	B	C				
TBN0039	2370 mm (93.3 in)	890 mm (35.0 in)	937 mm (36.9 in)	0.9 m <sup>3</sup> (32 ft <sup>3</sup> )	0.7 m <sup>3</sup> (25 ft <sup>3</sup> )	1800 kg/m <sup>3</sup> (112 lb/ft <sup>3</sup> )	380 kg (838 lb)
TBN0040	2370 mm (93.3 in)	890 mm (35.0 in)	937 mm (36.9 in)	0.9 m <sup>3</sup> (32 ft <sup>3</sup> )	0.7 m <sup>3</sup> (25 ft <sup>3</sup> )	1800 kg/m <sup>3</sup> (112 lb/ft <sup>3</sup> )	485 kg (1069 lb)
TBN0091	2500 mm (98.4 in)	1335 mm (52.6 in)	1713 mm (67.4 in)	3 m <sup>3</sup> (106 ft <sup>3</sup> )	2.6 m <sup>3</sup> (92 ft <sup>3</sup> )	1800 kg/m <sup>3</sup> (112 lb/ft <sup>3</sup> )	1355 kg (2987 lb)
TBN0092	2500 mm (98.4 in)	1335 mm (52.6 in)	1713 mm (67.4 in)	3 m <sup>3</sup> (106 ft <sup>3</sup> )	2.6 m <sup>3</sup> (92 ft <sup>3</sup> )	1800 kg/m <sup>3</sup> (112 lb/ft <sup>3</sup> )	1355 kg (2987 lb)
TBN0104	2400 mm (94.5 in)	893 mm (35.2 in)	987 mm (38.9 in)	1 m <sup>3</sup> (35 ft <sup>3</sup> )	0.8 m <sup>3</sup> (28 ft <sup>3</sup> )	1800 kg/m <sup>3</sup> (112 lb/ft <sup>3</sup> )	560 kg (1235 lb)
TBN0115	1980 mm (78.0 in)	850 mm (33.5 in)	945 mm (37.2 in)	0.85 m <sup>3</sup> (30 ft <sup>3</sup> )	0.6 m <sup>3</sup> (21 ft <sup>3</sup> )	1800 kg/m <sup>3</sup> (112 lb/ft <sup>3</sup> )	290 kg (639 lb)
TBN0116	1980 mm (78.0 in)	850 mm (33.5 in)	945 mm (37.2 in)	0.85 m <sup>3</sup> (30 ft <sup>3</sup> )	0.6 m <sup>3</sup> (21 ft <sup>3</sup> )	1800 kg/m <sup>3</sup> (112 lb/ft <sup>3</sup> )	320 kg (705 lb)
TBN0122	1900 mm (74.8 in)	850 mm (33.5 in)	945 mm (37.2 in)	0.8 m <sup>3</sup> (28 ft <sup>3</sup> )	0.6 m <sup>3</sup> (21 ft <sup>3</sup> )	1800 kg/m <sup>3</sup> (112 lb/ft <sup>3</sup> )	280 kg (617 lb)
TBN0123	1900 mm (74.8 in)	850 mm (33.5 in)	945 mm (37.2 in)	0.8 m <sup>3</sup> (28 ft <sup>3</sup> )	0.6 m <sup>3</sup> (21 ft <sup>3</sup> )	1800 kg/m <sup>3</sup> (112 lb/ft <sup>3</sup> )	310 kg (683 lb)
TBN0136	2400 mm (94.5 in)	893 mm (35.2 in)	987 mm (38.9 in)	1 m <sup>3</sup> (35 ft <sup>3</sup> )	0.8 m <sup>3</sup> (28 ft <sup>3</sup> )	1800 kg/m <sup>3</sup> (112 lb/ft <sup>3</sup> )	490 kg (1080 lb)
TBN0150	2100 mm (82.7 in)	850 mm (33.5 in)	909 mm (35.8 in)	0.9 m <sup>3</sup> (32 ft <sup>3</sup> )	0.7 m <sup>3</sup> (25 ft <sup>3</sup> )	1800 kg/m <sup>3</sup> (112 lb/ft <sup>3</sup> )	310 kg (683 lb)
TBN0151	2100 mm (82.7 in)	850 mm (33.5 in)	909 mm (35.8 in)	0.9 m <sup>3</sup> (32 ft <sup>3</sup> )	0.7 m <sup>3</sup> (25 ft <sup>3</sup> )	1800 kg/m <sup>3</sup> (112 lb/ft <sup>3</sup> )	345 kg (761 lb)
TBN0156	2100 mm (82.7 in)	850 mm (33.5 in)	995 mm (39.2 in)	0.9 m <sup>3</sup> (32 ft <sup>3</sup> )	0.7 m <sup>3</sup> (25 ft <sup>3</sup> )	1800 kg/m <sup>3</sup> (112 lb/ft <sup>3</sup> )	310 kg (683 lb)
TBN0157	2100 mm (82.7 in)	850 mm (33.5 in)	995 mm (39.2 in)	0.9 m <sup>3</sup> (32 ft <sup>3</sup> )	0.7 m <sup>3</sup> (25 ft <sup>3</sup> )	1800 kg/m <sup>3</sup> (112 lb/ft <sup>3</sup> )	345 kg (761 lb)
TBN0181	2400 mm (94.5 in)	893 mm (35.2 in)	987 mm (38.9 in)	1 m <sup>3</sup> (35 ft <sup>3</sup> )	0.8 m <sup>3</sup> (28 ft <sup>3</sup> )	1800 kg/m <sup>3</sup> (112 lb/ft <sup>3</sup> )	490 kg (1080 lb)
TBN0183	2300 mm (90.6 in)	893 mm (35.2 in)	965 mm (38.0 in)	1.2 m <sup>3</sup> (42 ft <sup>3</sup> )	0.9 m <sup>3</sup> (32 ft <sup>3</sup> )	1800 kg/m <sup>3</sup> (112 lb/ft <sup>3</sup> )	470 kg (1036 lb)
TBN0185	2450 mm (96.5 in)	900 mm (35.4 in)	1033 mm (40.7 in)	1.25 m <sup>3</sup> (44 ft <sup>3</sup> )	1.05 m <sup>3</sup> (37 ft <sup>3</sup> )	1800 kg/m <sup>3</sup> (112 lb/ft <sup>3</sup> )	560 kg (1235 lb)
TBN0186	2400 mm (94.5 in)	893 mm (35.2 in)	987 mm (38.9 in)	1 m <sup>3</sup> (35 ft <sup>3</sup> )	0.8 m <sup>3</sup> (28 ft <sup>3</sup> )	1800 kg/m <sup>3</sup> (112 lb/ft <sup>3</sup> )	560 kg (1235 lb)
TBN0188	2300 mm (90.6 in)	893 mm (35.2 in)	965 mm (38.0 in)	1.2 m <sup>3</sup> (42 ft <sup>3</sup> )	0.9 m <sup>3</sup> (32 ft <sup>3</sup> )	1800 kg/m <sup>3</sup> (112 lb/ft <sup>3</sup> )	535 kg (1179 lb)
TBN0190	2450 mm (96.5 in)	900 mm (35.4 in)	1033 mm (40.7 in)	1.25 m <sup>3</sup> (44 ft <sup>3</sup> )	1.05 m <sup>3</sup> (37 ft <sup>3</sup> )	1800 kg/m <sup>3</sup> (112 lb/ft <sup>3</sup> )	630 kg (1389 lb)
TBN0300	3000 mm (118.1 in)	1387 mm (54.6 in)	1713 mm (67.4 in)	3.8 m <sup>3</sup> (134 ft <sup>3</sup> )	3.5 m <sup>3</sup> (124 ft <sup>3</sup> )	1800 kg/m <sup>3</sup> (112 lb/ft <sup>3</sup> )	325 kg (717 lb)
TBN0301	3000 mm (118.1 in)	1387 mm (54.6 in)	1762 mm (69.4 in)	3.8 m <sup>3</sup> (134 ft <sup>3</sup> )	3.5 m <sup>3</sup> (124 ft <sup>3</sup> )	1800 kg/m <sup>3</sup> (112 lb/ft <sup>3</sup> )	1690 kg (3726 lb)



# Technical data



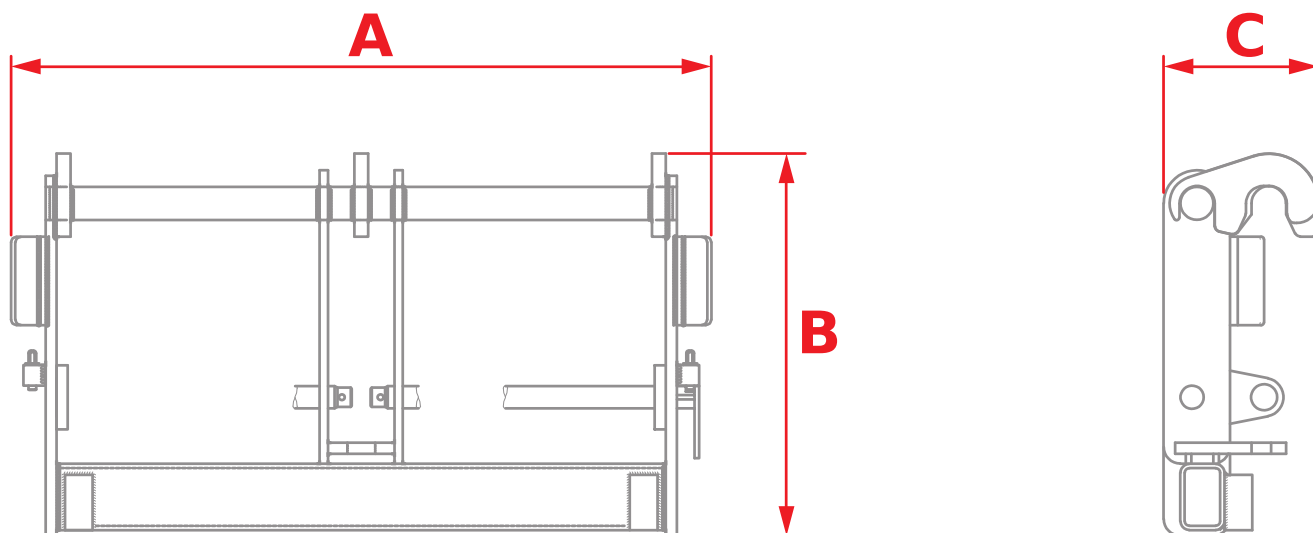
Code	A	B	C				
TBN0314	2400 mm (94.5 in)	893 mm (35.2 in)	987 mm (38.9 in)	1 m <sup>3</sup> (35 ft <sup>3</sup> )	0.8 m <sup>3</sup> (28 ft <sup>3</sup> )	1800 kg/m <sup>3</sup> (112 lb/ft <sup>3</sup> )	490 kg (1080 lb)
TBN0315	2400 mm (94.5 in)	893 mm (35.2 in)	987 mm (38.9 in)	1 m <sup>3</sup> (35 ft <sup>3</sup> )	0.8 m <sup>3</sup> (28 ft <sup>3</sup> )	1800 kg/m <sup>3</sup> (112 lb/ft <sup>3</sup> )	560 kg (1235 lb)
TBN0326	1700 mm (66.9 in)	845 mm (33.3 in)	965 mm (38.0 in)	0.7 m <sup>3</sup> (25 ft <sup>3</sup> )	0,5 m <sup>3</sup> (18 ft <sup>3</sup> )	1800 kg/m <sup>3</sup> (112 lb/ft <sup>3</sup> )	280 kg (617 lb)
TBN0328	1700 mm (66.9 in)	865 mm (34.1 in)	995 mm (39.2 in)	0.7 m <sup>3</sup> (25 ft <sup>3</sup> )	0,5 m <sup>3</sup> (18 ft <sup>3</sup> )	1800 kg/m <sup>3</sup> (112 lb/ft <sup>3</sup> )	325 kg (717 lb)
TBN0335	2500 mm (98.4 in)	1335 mm (52.6 in)	1713 mm (67.4 in)	3 m <sup>3</sup> (106 ft <sup>3</sup> )	2.6 m <sup>3</sup> (92 ft <sup>3</sup> )	1800 kg/m <sup>3</sup> (112 lb/ft <sup>3</sup> )	1355 kg (2987 lb)
TBN0336	2500 mm (98.4 in)	1335 mm (52.6 in)	1713 mm (67.4 in)	3 m <sup>3</sup> (106 ft <sup>3</sup> )	2.6 m <sup>3</sup> (92 ft <sup>3</sup> )	1800 kg/m <sup>3</sup> (112 lb/ft <sup>3</sup> )	1355 kg (2987 lb)
TBN0349	2300 mm (90.6 in)	893 mm (35.2 in)	965 mm (38.0 in)	1.2 m <sup>3</sup> (42 ft <sup>3</sup> )	0.9 m <sup>3</sup> (32 ft <sup>3</sup> )	1800 kg/m <sup>3</sup> (112 lb/ft <sup>3</sup> )	470 kg (1036 lb)
TBN0351	2300 mm (90.6 in)	893 mm (35.2 in)	965 mm (38.0 in)	1.2 m <sup>3</sup> (42 ft <sup>3</sup> )	0.9 m <sup>3</sup> (32 ft <sup>3</sup> )	1800 kg/m <sup>3</sup> (112 lb/ft <sup>3</sup> )	535 kg (1179 lb)
TBN0356	-	-	-	-	-	-	-

# Counterplate

Counterplate



## Technical data



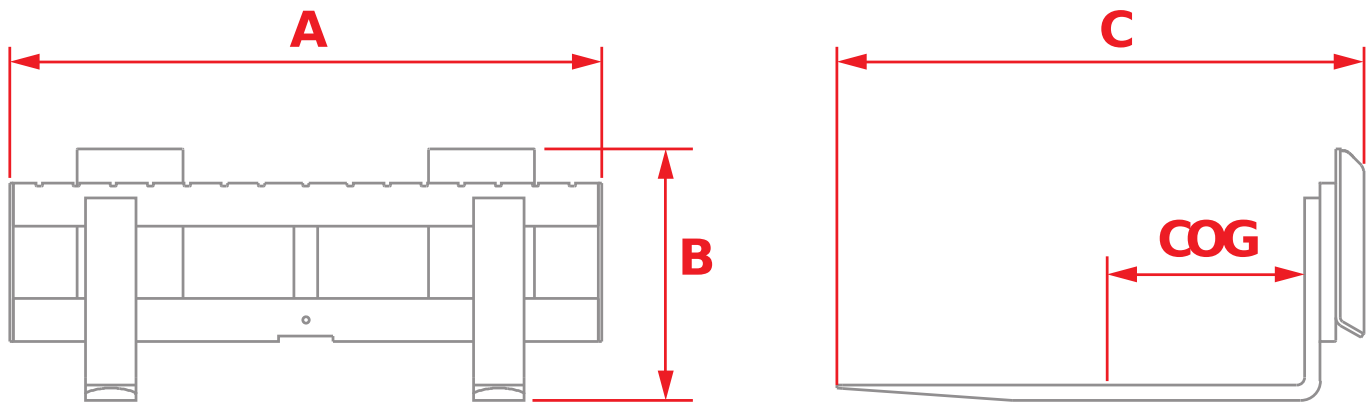
Code	A	B	C	
TCV0002	1265 mm (49.8 in)	690 mm (27.2 in)	280 mm (11.0 in)	125 kg (276 lb)
TCV0007	1405 mm (55.3 in)	720 mm (28.3 in)	200 mm (7.9 in)	135 kg (298 lb)
TCV0011	1415 mm (55.7 in)	760 mm (29.9 in)	350 mm (13.8 in)	210 kg (463 lb)

## Counterplate with FEM forks

Counterplate with forks and FEM coupling, equipped with lower hooks and upper positioning fasteners to be adapted to the width of the load.

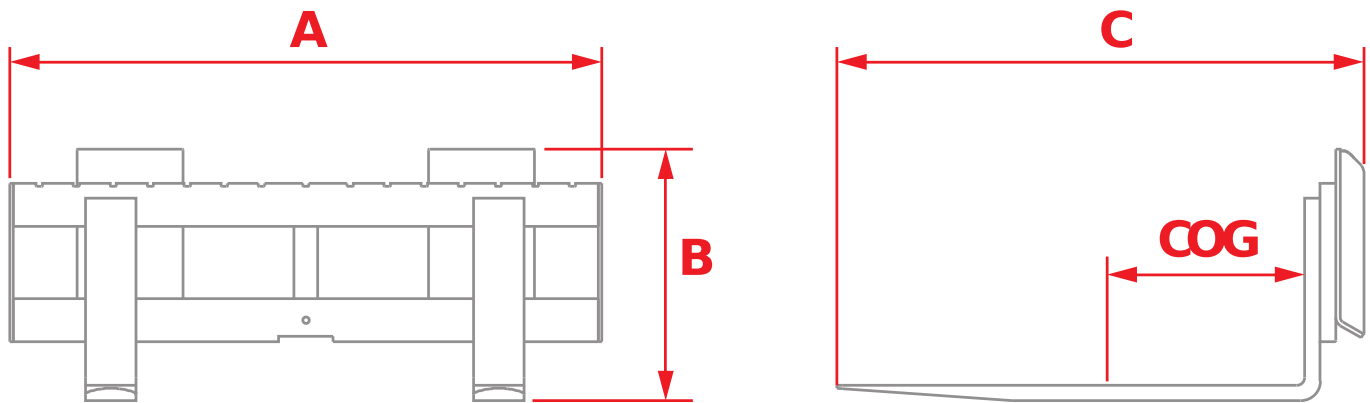


## Technical data



Code	A	B	C				COG		
TCV0006	1300 mm (51.2 in)	789 mm (31.1 in)	1296 mm (51.0 in)	100 mm (3.9 in)	50 mm (2.0 in)	1050 mm (41.3 in)	500 mm (19.7 in)	-	315 kg (694 lb)
TCV0034	1000 mm (39.4 in)	800 mm (31.5 in)	1500 mm (59.1 in)	100 mm (3.9 in)	45 mm (1.8 in)	1200 mm (47.2 in)	500 mm (19.7 in)	-	280 kg (617 lb)
TCV0043	1316 mm (51.8 in)	905 mm (35.6 in)	1542 mm (60.7 in)	150 mm (5.9 in)	60 mm (2.4 in)	1200 mm (47.2 in)	600 mm (23.6 in)	-	530 kg (1168 lb)
TCV0061	1000 mm (39.4 in)	815 mm (32.1 in)	1471 mm (57.9 in)	100 mm (3.9 in)	40 mm (1.6 in)	1200 mm (47.2 in)	500 mm (19.7 in)	-	180 kg (397 lb)
TCV0075	1320 mm (52.0 in)	805 mm (31.7 in)	1310 mm (51.6 in)	100 mm (3.9 in)	50 mm (2.0 in)	1200 mm (47.2 in)	500 mm (19.7 in)	5000 kg (11023 lb)	280 kg (617 lb)

# Technical data



Code	A	B	C						
TCV0078	1320 mm (52.0 in)	805 mm (31.7 in)	1460 mm (57.5 in)	120 mm (4.7 in)	50 mm (2.0 in)	1200 mm (47.2 in)	500 mm (19.7 in)	5000 kg (11023 lb)	320 kg (705 lb)

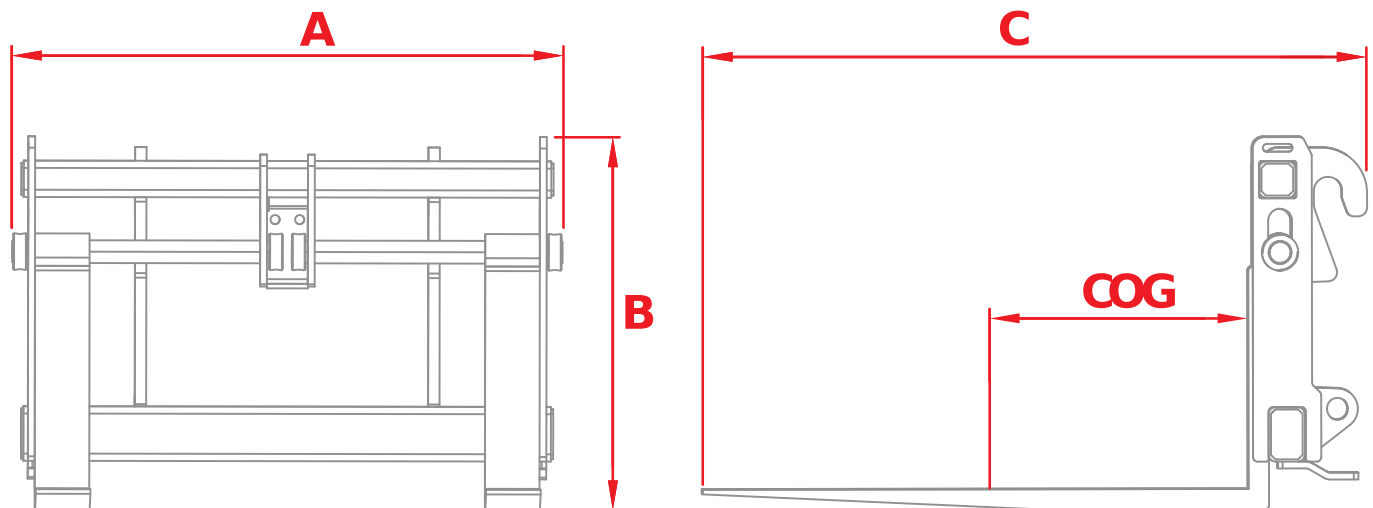


## Counterplate with floating forks

Counterplate with floating forks, which can self-adjust vertically to adapt to non-level operational load conditions.

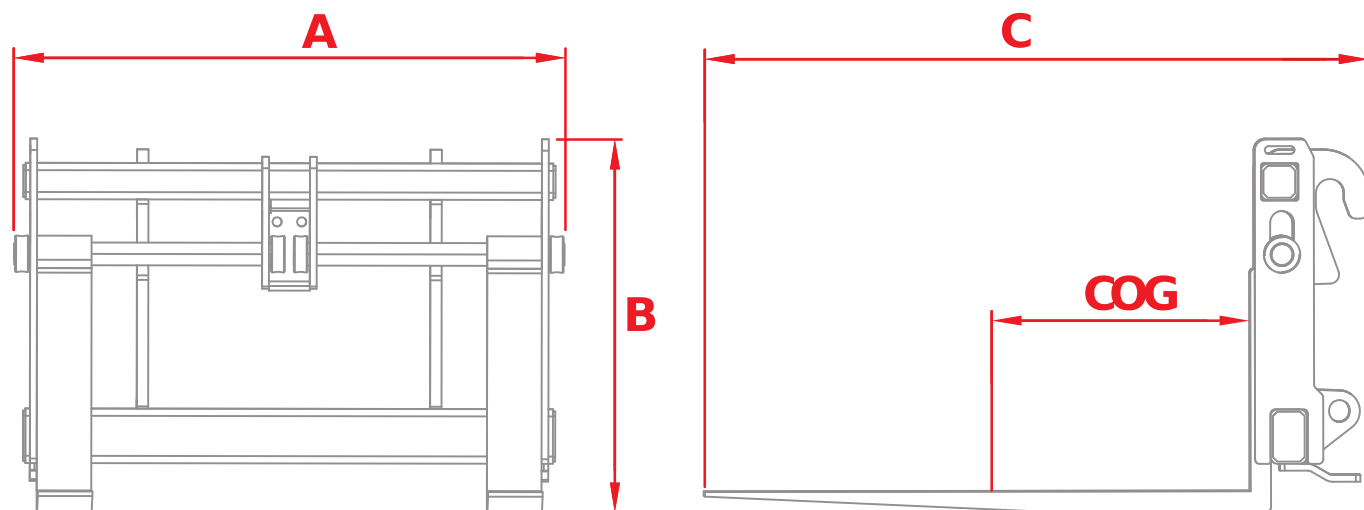


## Technical data



Code	A	B	C	C1				COG		
TCV0014	1210 mm (47.6 in)	715 mm (28.1 in)	1468 mm (57.8 in)	-	120 mm (4.7 in)	45 mm (1.8 in)	1200 mm (47.2 in)	500 mm (19.7 in)	2600 kg (5732 lb)	250 kg (551 lb)
TCV0029	1656 mm (65.2 in)	907 mm (35.7 in)	1836 mm (72.3 in)	-	130 mm (5.1 in)	60 mm (2.4 in)	1200 mm (47.2 in)	500 mm (19.7 in)	4200 kg (9259 lb)	410 kg (904 lb)
TCV0030	1656 mm (65.2 in)	907 mm (35.7 in)	1836 mm (72.3 in)	-	130 mm (5.1 in)	60 mm (2.4 in)	1830 mm (72.0 in)	600 mm (23.6 in)	4200 kg (9259 lb)	550 kg (1213 lb)
TCV0031	1656 mm (65.2 in)	907 mm (35.7 in)	1836 mm (72.3 in)	-	130 mm (5.1 in)	60 mm (2.4 in)	1200 mm (47.2 in)	600 mm (23.6 in)	4200 kg (9259 lb)	435 kg (959 lb)
TCV0032	1656 mm (65.2 in)	907 mm (35.7 in)	1836 mm (72.3 in)	-	130 mm (5.1 in)	60 mm (2.4 in)	1200 mm (47.2 in)	600 mm (23.6 in)	6500 kg (14330 lb)	510 kg (1124 lb)

# Technical data



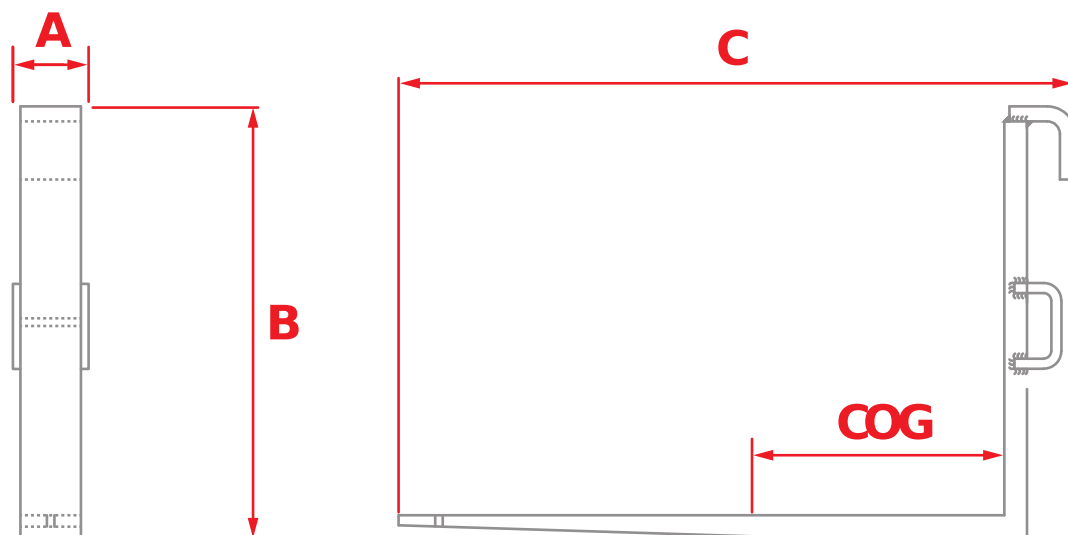
Code	A	B	C	C1						
TCV0049	1300 mm (51,2 in)	920 mm (36.2 in)	1435 mm (56.5 in)	-	120 mm (4.7 in)	50 mm (2.0 in)	1200 mm (47.2 in)	500 mm (19.7 in)	5000 kg (11023 lb)	260 kg (573 lb)
TCV0052	1340 mm (52.8 in)	895 mm (35.2 in)	1440 mm (56.7 in)	-	120 mm (4.7 in)	45 mm (1.8 in)	1200 mm (47.2 in)	500 mm (19.7 in)	4200 kg (9259 lb)	230 kg (507 lb)
TCV0054	1300 mm (51,2 in)	930 mm (36.6 in)	1435 mm (56.5 in)	-	130 mm (5.1 in)	60 mm (2.4 in)	1200 mm (47.2 in)	600 mm (23.6 in)	6000 kg (13228 lb)	315 kg (694 lb)
TCV0057	1210 mm (47.6 in)	893 mm (35.2 in)	1440 mm (56.7 in)	-	120 mm (4.7 in)	45 mm (1.8 in)	1200 mm (47.2 in)	500 mm (19.7 in)	4200 kg (9259 lb)	230 kg (507 lb)
TCV0059	1210 mm (47.6 in)	820 mm (32.3 in)	1460 mm (57.5 in)	-	100 mm (3.9 in)	40 mm (1.6 in)	1200 mm (47.2 in)	500 mm (19.7 in)	2500 kg (5512 lb)	220 kg (485 lb)
TCV0087	1260 mm (49.6 in)	754 mm (29,7 in)	1513 mm (59,6 in)	-	150 mm (5.9 in)	60 mm (2.4 in)	1200 mm (47.2 in)	600 mm (23.6 in)	7500 kg (16535 lb)	190 kg (419 lb)
TCV0088	1997 mm (78,6 in)	863 mm (34,0 in)	1485 mm (58.5 in)	-	130 mm (5.1 in)	60 mm (2.4 in)	1200 mm (47.2 in)	288 mm (11,3 in)	6000 kg (13228 lb)	394 kg (869 lb)
TCV0094	1354 mm (53.3 in)	862 mm (33.9 in)	1455 mm (57.3 in)	1200 mm (47.2 in)	130 mm (5.1 in)	60 mm (2.4 in)	1200 mm (47.2 in)	600 mm (23.6 in)	6500 kg (14330 lb)	312 kg (688 lb)
TCV0095	2000 mm (78.7 in)	863 mm (34,0 in)	1485 mm (58.5 in)	1200 mm (47.2 in)	130 mm (5.1 in)	60 mm (2.4 in)	1200 mm (47.2 in)	600 mm (23.6 in)	6000 kg (13228 lb)	415 kg (915 lb)

## Floating forks

The floating forks are used for loading and unloading pallets even from inclined and uneven surfaces such as trucks with heavy gradients and rough terrain, they adapt perfectly to the support surface of the material to be moved thanks to their vertical sliding movement.

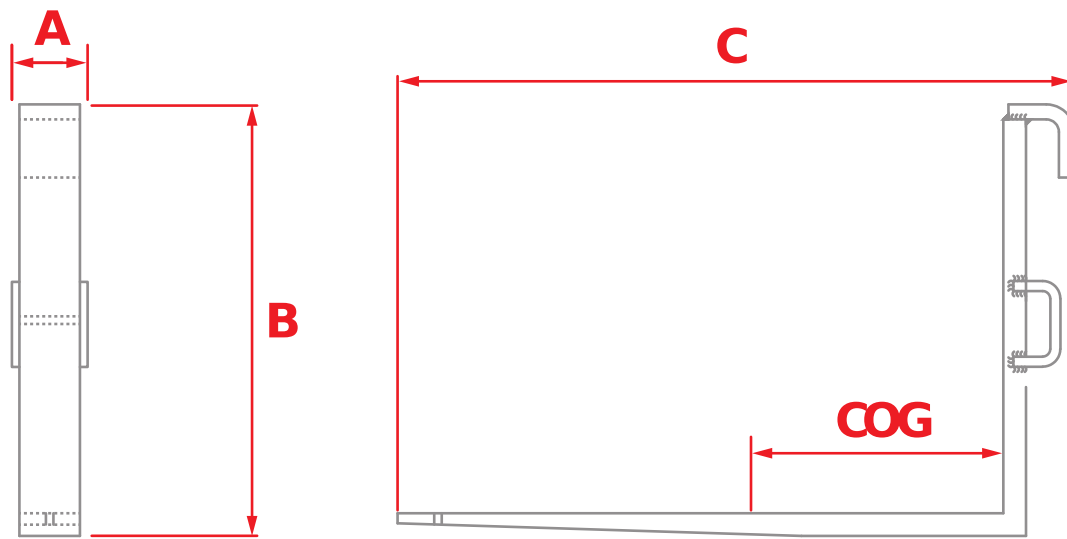


## Technical data



Code	A	B	C				COG		
TFR0001	150 mm (5.9 in)	855 mm (33.7 in)	1340 mm (52.8 in)	120 mm (4.7 in)	45 mm (1.8 in)	1200 mm (47.2 in)	500 mm (19.7 in)	3800 kg (8378 lb)	180 kg (397 lb)
TFR0004	150 mm (5.9 in)	860 mm (33.9 in)	1345 mm (53.0 in)	120 mm (4.7 in)	50 mm (2.0 in)	1200 mm (47.2 in)	500 mm (19.7 in)	4000 kg (8818 lb)	180 kg (397 lb)
TFR0005	100 mm (3.9 in)	570 mm (22.4 in)	1280 mm (50.4 in)	100 mm (3.9 in)	50 mm (2.0 in)	1200 mm (47.2 in)	760 mm (29.9 in)	3800 kg (8378 lb)	120 kg (265 lb)
TFR0007	150 mm (5.9 in)	865 mm (34.1 in)	1345 mm (53.0 in)	120 mm (4.7 in)	50 mm (2.0 in)	1200 mm (47.2 in)	500 mm (19.7 in)	4500 kg (9921 lb)	190 kg (419 lb)

# Technical data



Code	A	B	C				COG		
TFR0008	150 mm (5.9 in)	855 mm (33.7 in)	1340 mm (52.8 in)	120 mm (4.7 in)	45 mm (1.8 in)	1200 mm (47.2 in)	500 mm (19.7 in)	3800 kg (8378 lb)	170 kg (375 lb)
TFR0010	180 mm (7.1 in)	890 mm (35.0 in)	1375 mm (54.1 in)	150 mm (5.9 in)	60 mm (2.4 in)	1200 mm (47.2 in)	600 mm (23.6 in)	7500 kg (16535 lb)	280 kg (617 lb)
TFR0011	230 mm (9.1 in)	890 mm (35.0 in)	1575 mm (62.0 in)	200 mm (7.9 in)	60 mm (2.4 in)	1400 mm (55.1 in)	600 mm (23.6 in)	7500 kg (16535 lb)	400 kg (882 lb)
TFR0017	180 mm (7.1 in)	890 mm (35.0 in)	1375 mm (54.1 in)	150 mm (5.9 in)	60 mm (2.4 in)	1200 mm (47.2 in)	600 mm (23.6 in)	7500 kg (16535 lb)	280 kg (617 lb)
TFR0018	230 mm (9.1 in)	890 mm (35.0 in)	1575 mm (62.0 in)	200 mm (7.9 in)	60 mm (2.4 in)	1400 mm (55.1 in)	600 mm (23.6 in)	7500 kg (16535 lb)	400 kg (882 lb)
TFR0021	200 mm (7.9 in)	1100 mm (43.3 in)	1424 mm (56.1 in)	200 mm (7.9 in)	70 mm (2.8 in)	1200 mm (47.2 in)	600 mm (23.6 in)	13000 kg (28660 lb)	260 kg (573 lb)
TFR0022	200 mm (7.9 in)	70 mm (2.8 in)	2024 mm (79.7 in)	200 mm (7.9 in)	70 mm (2.8 in)	1800 mm (70.9 in)	600 mm (23.6 in)	13000 kg (28660 lb)	845 kg (1863 lb)
TFR0023	200 mm (7.9 in)	1130 mm (44.5 in)	2634 mm (103.7 in)	200 mm (7.9 in)	80 mm (3.1 in)	2400 mm (94.5 in)	600 mm (23.6 in)	16000 kg (35274 lb)	890 kg (1962 lb)
TFR0024	200 mm (7.9 in)	1160 mm (45.7 in)	2059 mm (81.1 in)	200 mm (7.9 in)	95 mm (3.7 in)	1800 mm (70.9 in)	900 mm (35.4 in)	21000 kg (46297 lb)	880 kg (1940 lb)
TFR0025	200 mm (7.9 in)	1160 mm (45.7 in)	2659 mm (104.7 in)	200 mm (7.9 in)	95 mm (3.7 in)	2400 mm (94.5 in)	900 mm (35.4 in)	21000 kg (46297 lb)	1060 kg (2337 lb)
TFR0028	160 mm (6.3 in)	905 mm (35.6 in)	1660 mm (65.4 in)	130 mm (5.1 in)	60 mm (2.4 in)	1525 mm (60.0 in)	600 mm (23.6 in)	6500 kg (14330 lb)	280 kg (617 lb)
TFR0029	160 mm (6.3 in)	905 mm (35.6 in)	1960 mm (77.2 in)	130 mm (5.1 in)	60 mm (2.4 in)	1830 mm (72.0 in)	600 mm (23.6 in)	6500 kg (14330 lb)	320 kg (705 lb)
TFR0039	150 mm (5.9 in)	850 mm (33.5 in)	1375 mm (54.1 in)	120 mm (4.7 in)	50 mm (2.0 in)	1200 mm (47.2 in)	500 mm (19.7 in)	5000 kg (11023 lb)	170 kg (375 lb)
TFR0041	200 mm (7.9 in)	1210 mm (47.6 in)	2070 mm (81.5 in)	200 mm (7.9 in)	105 mm (4.1 in)	1800 mm (70.9 in)	900 mm (35.4 in)	23000 kg (50706 lb)	980 kg (2161 lb)
TFR0042	250 mm (9.8 in)	1100 mm (43.3 in)	2549 mm (100.4 in)	250 mm (9.8 in)	100 mm (3.9 in)	2500 mm (98.4 in)	1200 mm (47.2 in)	18900 kg (41667 lb)	1400 kg (3086 lb)
TFR0043	150 mm (5.9 in)	890 mm (35.0 in)	1355 mm (53.3 in)	120 mm (4.7 in)	45 mm (1.8 in)	1200 mm (47.2 in)	600 mm (23.6 in)	4500 kg (9921 lb)	180 kg (397 lb)
TFR0046	130 mm (5.1 in)	840 mm (33.1 in)	1200 mm (47.2 in)	130 mm (5.1 in)	60 mm (2.4 in)	1200 mm (47.2 in)	600 mm (23.6 in)	6500 kg (14330 lb)	235 kg (518 lb)
TFR0051	200 mm (7.9 in)	1100 mm (43.3 in)	1424 mm (56.1 in)	200 mm (7.9 in)	70 mm (2.8 in)	1200 mm (47.2 in)	600 mm (23.6 in)	13000 kg (28660 lb)	260 kg (573 lb)
TFR0052	200 mm (7.9 in)	70 mm (2.8 in)	2024 mm (79.7 in)	200 mm (7.9 in)	70 mm (2.8 in)	1800 mm (70.9 in)	600 mm (23.6 in)	13000 kg (28660 lb)	845 kg (1863 lb)
TFR0053	200 mm (7.9 in)	1130 mm (44.5 in)	2634 mm (103.7 in)	200 mm (7.9 in)	80 mm (3.1 in)	2400 mm (94.5 in)	600 mm (23.6 in)	16000 kg (35274 lb)	890 kg (1962 lb)
TFR0058	200 mm (7.9 in)	1210 mm (47.6 in)	2070 mm (81.5 in)	200 mm (7.9 in)	105 mm (4.1 in)	1800 mm (70.9 in)	900 mm (35.4 in)	23000 kg (50706 lb)	980 kg (2161 lb)
TFR0064	150 mm (5.9 in)	930 mm (36.6 in)	1200 mm (47.2 in)	150 mm (5.9 in)	60 mm (2.4 in)	1200 mm (47.2 in)	600 mm (23.6 in)	8000 kg (17637 lb)	295 kg (650 lb)

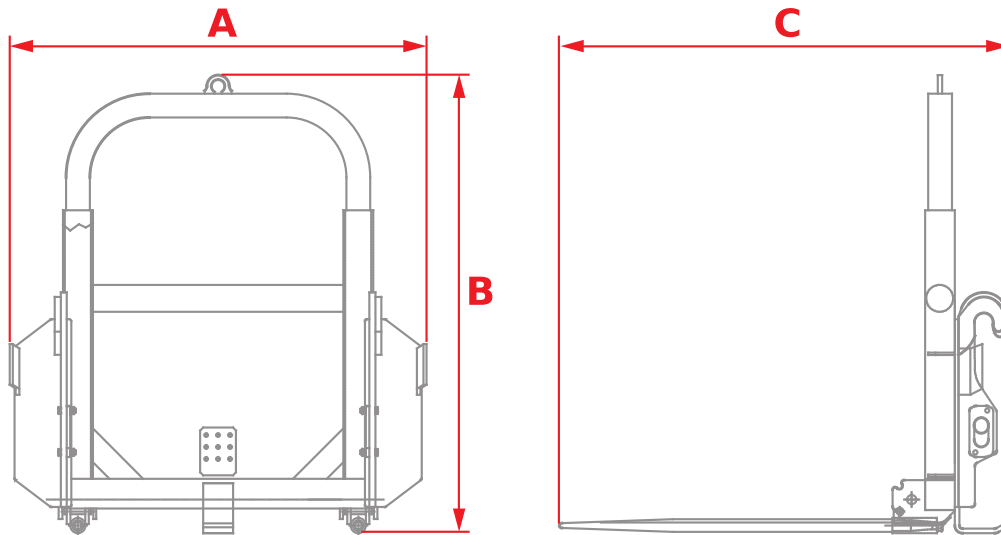


## Fork with two prongs

Tool suitable for handling round or square hay or fodder bales.  
 The front tips can be turned up for road circulation.  
 The frame is equipped with an upper (extensible) protection to prevent material from falling.



## Technical data



Code	A	B	C		
TGN0007	1400 mm (55.1 in)	1500 mm (59.1 in)	1500 mm (59.1 in)	600 kg (1323 lb)	185 kg (408 lb)
TGN0018	1300 mm (51.2 in)	1500 mm (59.1 in)	1500 mm (59.1 in)	600 kg (1323 lb)	230 kg (507 lb)
TGN0036	1100 mm (43.3 in)	1500 mm (59.1 in)	1500 mm (59.1 in)	600 kg (1323 lb)	165 kg (364 lb)
TGN0083	1400 mm (55.1 in)	1500 mm (59.1 in)	1500 mm (59.1 in)	600 kg (1323 lb)	185 kg (408 lb)

## Fork with three prongs

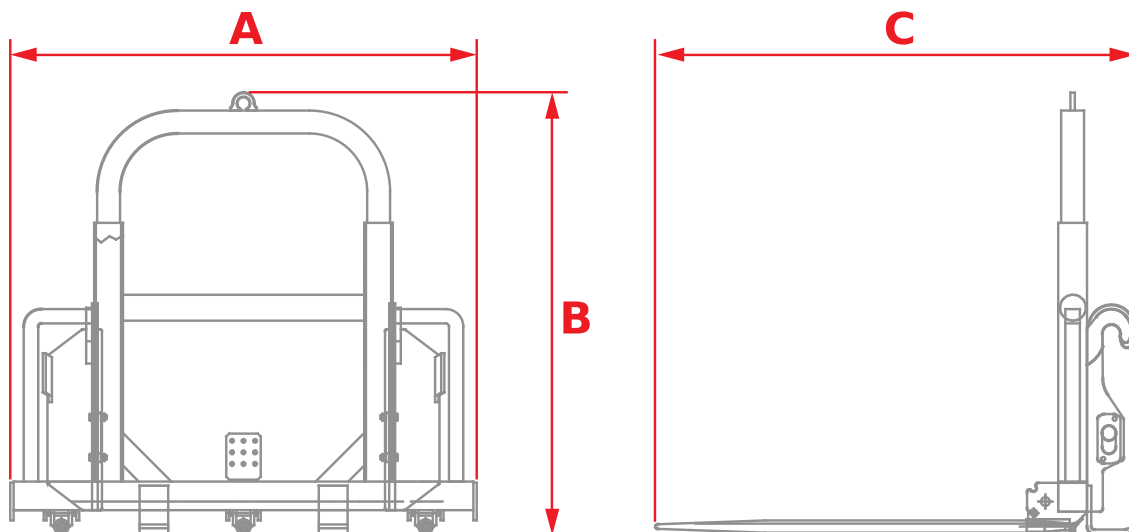
Tool suitable for handling round or square hay or fodder bales.

The front tips can be turned up for road circulation.

The frame is equipped with an upper (extensible) protection to prevent material from falling.



## Technical data



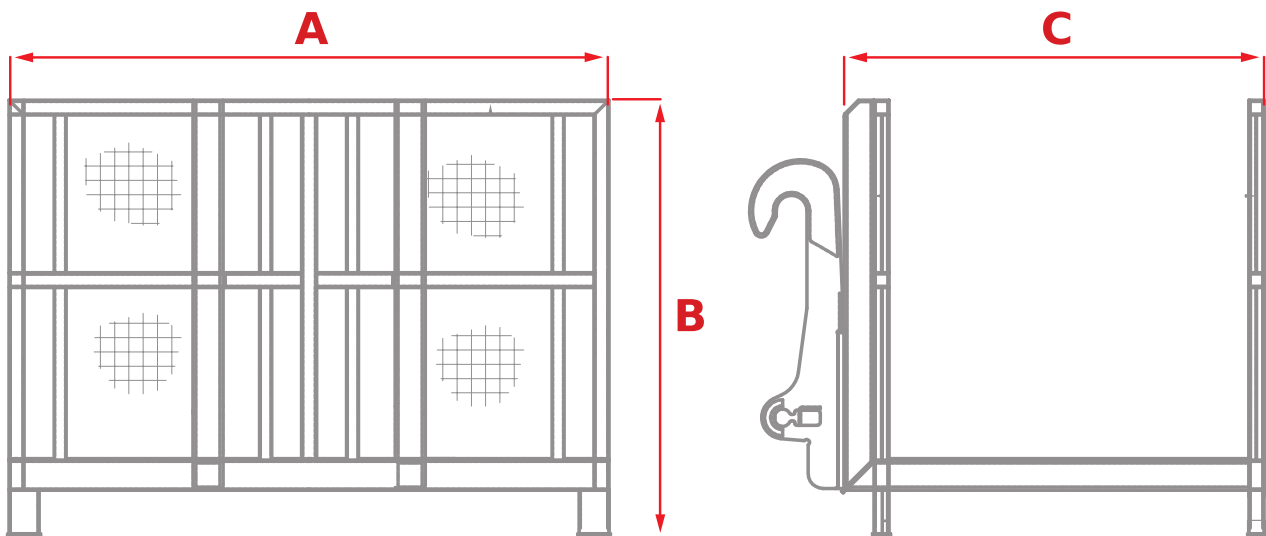
Code	A	B	C		
TGN0008	1624 mm (63.9 in)	1500 mm (59.1 in)	1500 mm (59.1 in)	600 kg (1323 lb)	230 kg (507 lb)
TGN0019	1530 mm (60,2 in)	1500 mm (59.1 in)	1420 mm (55.9 in)	580 kg (1279 lb)	225 kg (496 lb)
TGN0063	1530 mm (60,2 in)	1500 mm (59.1 in)	1420 mm (55.9 in)	580 kg (1279 lb)	225 kg (496 lb)
TGN0084	1624 mm (63.9 in)	1500 mm (59.1 in)	1500 mm (59.1 in)	600 kg (1323 lb)	230 kg (507 lb)

# Material basket

This equipment is used to transport inert material at height quickly and safely.

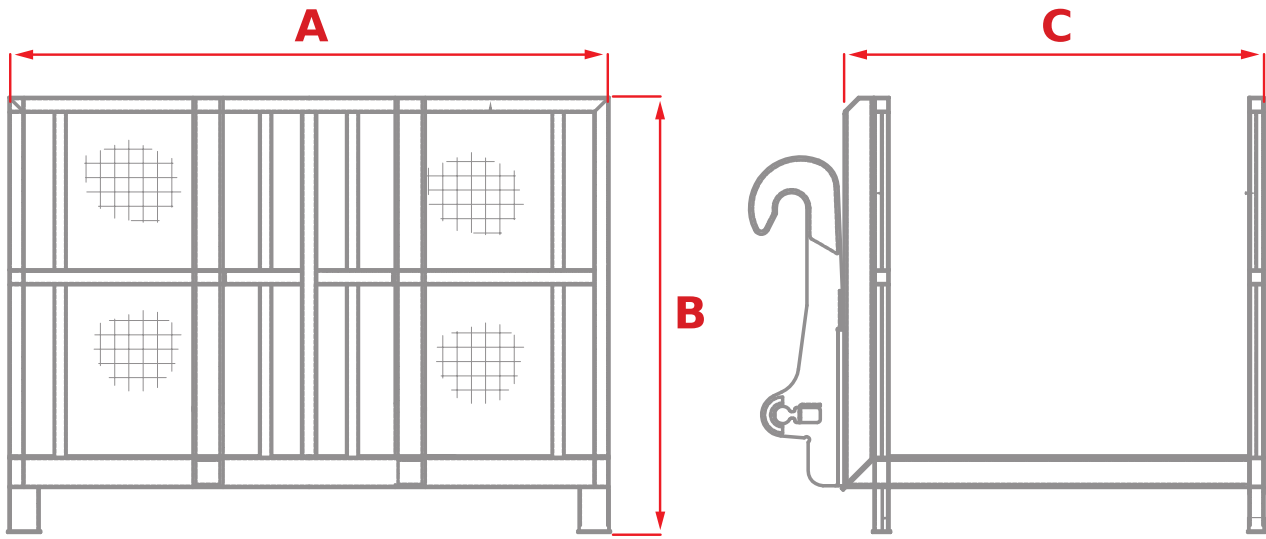


## Technical data



Code	A	B	C		
TCS0002	2010 mm (79.1 in)	1450 mm (57.1 in)	1620 mm (63.8 in)	1000 kg (2205 lb)	450 kg (992 lb)
TCS0016	2010 mm (79.1 in)	1450 mm (57.1 in)	1620 mm (63.8 in)	1000 kg (2205 lb)	400 kg (882 lb)
TCS0045	2010 mm (79.1 in)	1450 mm (57.1 in)	1620 mm (63.8 in)	500 kg (1102 lb)	395 kg (871 lb)
TCS0067	2010 mm (79.1 in)	1450 mm (57.1 in)	1620 mm (63.8 in)	1500 kg (3307 lb)	535 kg (1179 lb)
TCS0092	2000 mm (78.7 in)	1450 mm (57.1 in)	1400 mm (55.1 in)	1000 kg (2205 lb)	495 kg (1091 lb)
TCS0109	2000 mm (78.7 in)	1450 mm (57.1 in)	1400 mm (55.1 in)	1000 kg (2205 lb)	495 kg (1091 lb)
TCS0158	2000 mm (78.7 in)	1450 mm (57.1 in)	1400 mm (55.1 in)	1000 kg (2205 lb)	495 kg (1091 lb)

# Technical data



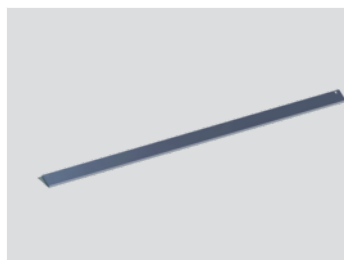
Code	<b>A</b> 	<b>B</b> 	<b>C</b> 		
TCS0175	2010 mm (79.1 in)	1450 mm (57.1 in)	1620 mm (63.8 in)	1500 kg (3307 lb)	535 kg (1179 lb)
TCS0180	2010 mm (79.1 in)	1450 mm (57.1 in)	1620 mm (63.8 in)	1720 kg (3792 lb)	535 kg (1179 lb)

## 4 in 1 bucket

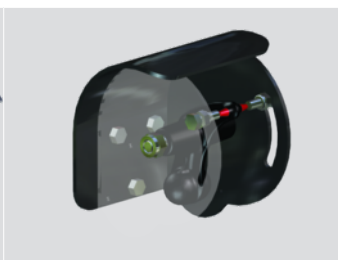
This equipment is suitable for loading and unloading operations. Thanks to the hydraulic opening it is suitable to grasp objects (also cylindrical), to dose aggregates unloading and to level the ground.



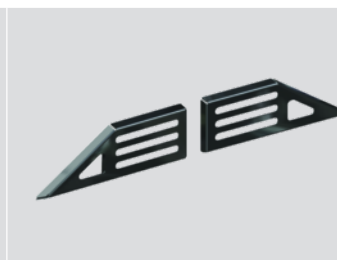
### Optionals:



Blade cover

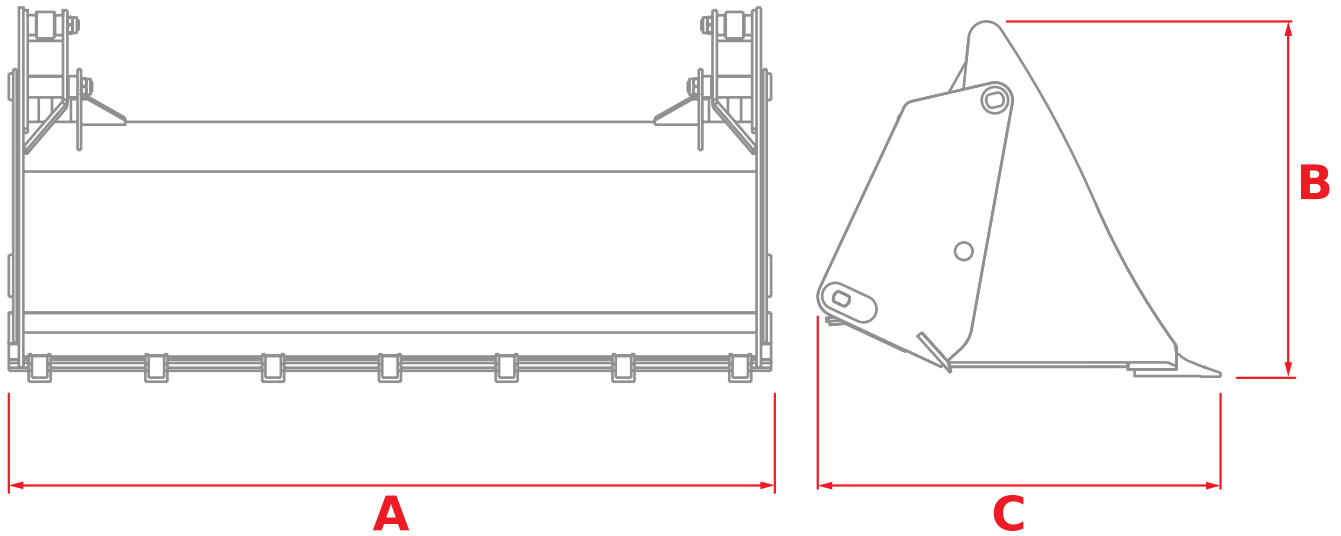


Mobile level indicator



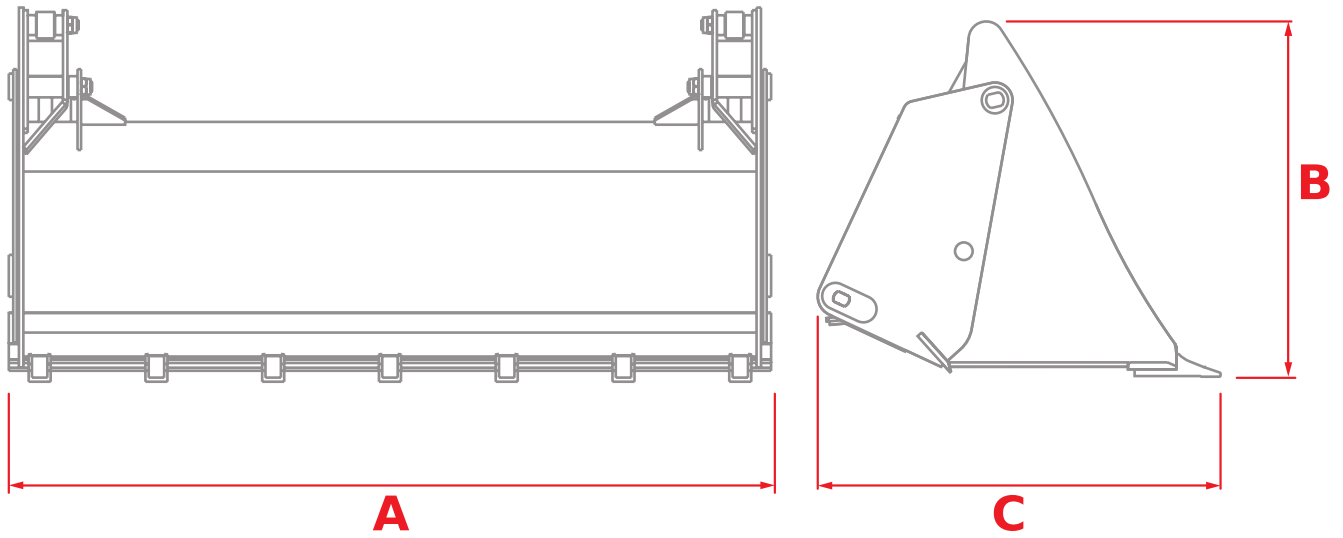
Split rear guard

# Technical data



Code	A	B	C					
TBN0013	2350 mm (92.5 in)	1037 mm (40.8 in)	1023 mm (40.3 in)	1 m <sup>3</sup> (35 ft <sup>3</sup> )	0.8 m <sup>3</sup> (28 ft <sup>3</sup> )	450 kg/m <sup>3</sup> (28 lb/ft <sup>3</sup> )	-	833 kg (1836 lb)
TBN0036	2350 mm (92.5 in)	1037 mm (40.8 in)	1023 mm (40.3 in)	1 m <sup>3</sup> (35 ft <sup>3</sup> )	0.75 m <sup>3</sup> (26 ft <sup>3</sup> )	450 kg/m <sup>3</sup> (28 lb/ft <sup>3</sup> )	-	835 kg (1841 lb)
TBN0120	1980 mm (78.0 in)	1100 mm (43.3 in)	945 mm (37.2 in)	0.85 m <sup>3</sup> (30 ft <sup>3</sup> )	0.6 m <sup>3</sup> (21 ft <sup>3</sup> )	800 kg/m <sup>3</sup> (50 lb/ft <sup>3</sup> )	6	420 kg (926 lb)
TBN0133	2400 mm (94.5 in)	1210 mm (47.6 in)	1024 mm (40.3 in)	1 m <sup>3</sup> (35 ft <sup>3</sup> )	0.8 m <sup>3</sup> (28 ft <sup>3</sup> )	800 kg/m <sup>3</sup> (50 lb/ft <sup>3</sup> )	8	660 kg (1455 lb)
TBN0134	2400 mm (94.5 in)	1210 mm (47.6 in)	1024 mm (40.3 in)	1 m <sup>3</sup> (35 ft <sup>3</sup> )	0.8 m <sup>3</sup> (28 ft <sup>3</sup> )	800 kg/m <sup>3</sup> (50 lb/ft <sup>3</sup> )	8	660 kg (1455 lb)
TBN0135	2400 mm (94.5 in)	1210 mm (47.6 in)	1024 mm (40.3 in)	1 m <sup>3</sup> (35 ft <sup>3</sup> )	0.8 m <sup>3</sup> (28 ft <sup>3</sup> )	800 kg/m <sup>3</sup> (50 lb/ft <sup>3</sup> )	8	725 kg (1598 lb)
TBN0174	1980 mm (78.0 in)	1105 mm (43.5 in)	995 mm (39.2 in)	0.85 m <sup>3</sup> (30 ft <sup>3</sup> )	0.6 m <sup>3</sup> (21 ft <sup>3</sup> )	800 kg/m <sup>3</sup> (50 lb/ft <sup>3</sup> )	6	430 kg (948 lb)
TBN0175	1980 mm (78.0 in)	1105 mm (43.5 in)	910 mm (35.8 in)	0.85 m <sup>3</sup> (30 ft <sup>3</sup> )	0.6 m <sup>3</sup> (21 ft <sup>3</sup> )	800 kg/m <sup>3</sup> (50 lb/ft <sup>3</sup> )	6	465 kg (1025 lb)
TBN0176	1980 mm (78.0 in)	1105 mm (43.5 in)	995 mm (39.2 in)	0.85 m <sup>3</sup> (30 ft <sup>3</sup> )	0.6 m <sup>3</sup> (21 ft <sup>3</sup> )	800 kg/m <sup>3</sup> (50 lb/ft <sup>3</sup> )	6	475 kg (1047 lb)
TBN0213	2400 mm (94.5 in)	1210 mm (47.6 in)	1024 mm (40.3 in)	1 m <sup>3</sup> (35 ft <sup>3</sup> )	0.8 m <sup>3</sup> (28 ft <sup>3</sup> )	800 kg/m <sup>3</sup> (50 lb/ft <sup>3</sup> )	8	665 kg (1466 lb)
TBN0215	2450 mm (96.5 in)	1313 mm (51.7 in)	1227 mm (48.3 in)	1.25 m <sup>3</sup> (44 ft <sup>3</sup> )	1 m <sup>3</sup> (35 ft <sup>3</sup> )	800 kg/m <sup>3</sup> (50 lb/ft <sup>3</sup> )	8	805 kg (1775 lb)
TBN0216	2400 mm (94.5 in)	1210 mm (47.6 in)	1024 mm (40.3 in)	1 m <sup>3</sup> (35 ft <sup>3</sup> )	0.8 m <sup>3</sup> (28 ft <sup>3</sup> )	800 kg/m <sup>3</sup> (50 lb/ft <sup>3</sup> )	8	725 kg (1598 lb)
TBN0253	2450 mm (96.5 in)	1313 mm (51.7 in)	1227 mm (48.3 in)	1.25 m <sup>3</sup> (44 ft <sup>3</sup> )	1 m <sup>3</sup> (35 ft <sup>3</sup> )	800 kg/m <sup>3</sup> (50 lb/ft <sup>3</sup> )	8	885 kg (1951 lb)
TBN0258	1980 mm (78.0 in)	1103 mm (43.4 in)	995 mm (39.2 in)	0.85 m <sup>3</sup> (30 ft <sup>3</sup> )	0.6 m <sup>3</sup> (21 ft <sup>3</sup> )	800 kg/m <sup>3</sup> (50 lb/ft <sup>3</sup> )	6	450 kg (992 lb)
TBN0262	2450 mm (96.5 in)	1313 mm (51.7 in)	1227 mm (48.3 in)	1.25 m <sup>3</sup> (44 ft <sup>3</sup> )	1 m <sup>3</sup> (35 ft <sup>3</sup> )	800 kg/m <sup>3</sup> (50 lb/ft <sup>3</sup> )	-	815 kg (1797 lb)
TBN0263	2450 mm (96.5 in)	1313 mm (51.7 in)	1227 mm (48.3 in)	1.25 m <sup>3</sup> (44 ft <sup>3</sup> )	1 m <sup>3</sup> (35 ft <sup>3</sup> )	800 kg/m <sup>3</sup> (50 lb/ft <sup>3</sup> )	8	835 kg (1841 lb)
TBN0264	2450 mm (96.5 in)	1313 mm (51.7 in)	1227 mm (48.3 in)	1.25 m <sup>3</sup> (44 ft <sup>3</sup> )	1 m <sup>3</sup> (35 ft <sup>3</sup> )	800 kg/m <sup>3</sup> (50 lb/ft <sup>3</sup> )	-	885 kg (1951 lb)
TBN0271	2400 mm (94.5 in)	1210 mm (47.6 in)	1025 mm (40.4 in)	1 m <sup>3</sup> (35 ft <sup>3</sup> )	0.75 m <sup>3</sup> (26 ft <sup>3</sup> )	800 kg/m <sup>3</sup> (50 lb/ft <sup>3</sup> )	-	600 kg (1323 lb)
TBN0272	2400 mm (94.5 in)	1210 mm (47.6 in)	1025 mm (40.4 in)	1 m <sup>3</sup> (35 ft <sup>3</sup> )	0.8 m <sup>3</sup> (28 ft <sup>3</sup> )	800 kg/m <sup>3</sup> (50 lb/ft <sup>3</sup> )	8	660 kg (1455 lb)
TBN0273	2400 mm (94.5 in)	1210 mm (47.6 in)	1025 mm (40.4 in)	1 m <sup>3</sup> (35 ft <sup>3</sup> )	0.75 m <sup>3</sup> (26 ft <sup>3</sup> )	800 kg/m <sup>3</sup> (50 lb/ft <sup>3</sup> )	-	725 kg (1598 lb)
TBN0280	1980 mm (78.0 in)	1105 mm (43.5 in)	910 mm (35.8 in)	0.85 m <sup>3</sup> (30 ft <sup>3</sup> )	0.6 m <sup>3</sup> (21 ft <sup>3</sup> )	800 kg/m <sup>3</sup> (50 lb/ft <sup>3</sup> )	-	430 kg (948 lb)
TBN0281	1980 mm (78.0 in)	1105 mm (43.5 in)	910 mm (35.8 in)	0.35 m <sup>3</sup> (12 ft <sup>3</sup> )	0.25 m <sup>3</sup> (9 ft <sup>3</sup> )	800 kg/m <sup>3</sup> (50 lb/ft <sup>3</sup> )	6	440 kg (970 lb)

# Technical data

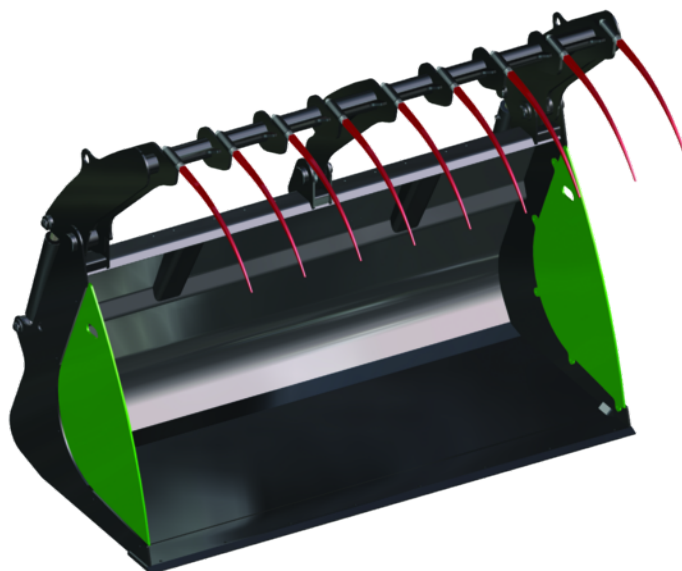


Code	A	B	C					
TBN0282	1980 mm (78.0 in)	1105 mm (43.5 in)	910 mm (35.8 in)	0.85 m <sup>3</sup> (30 ft <sup>3</sup> )	0.6 m <sup>3</sup> (21 ft <sup>3</sup> )	800 kg/m <sup>3</sup> (50 lb/ft <sup>3</sup> )	-	465 kg (1025 lb)
TBN0291	2400 mm (94.5 in)	1210 mm (47.6 in)	1025 mm (40.4 in)	1.1 m <sup>3</sup> (39 ft <sup>3</sup> )	0.9 m <sup>3</sup> (32 ft <sup>3</sup> )	800 kg/m <sup>3</sup> (50 lb/ft <sup>3</sup> )	6	655 kg (1444 lb)
TBN0292	2400 mm (94.5 in)	1210 mm (47.6 in)	1025 mm (40.4 in)	1.1 m <sup>3</sup> (39 ft <sup>3</sup> )	0.9 m <sup>3</sup> (32 ft <sup>3</sup> )	800 kg/m <sup>3</sup> (50 lb/ft <sup>3</sup> )	6	725 kg (1598 lb)
TBN0325	1735 mm (68.3 in)	814 mm (32.0 in)	1040 mm (40.9 in)	0.6 m <sup>3</sup> (21 ft <sup>3</sup> )	0,45 m <sup>3</sup> (16 ft <sup>3</sup> )	800 kg/m <sup>3</sup> (50 lb/ft <sup>3</sup> )	-	385 kg (849 lb)
TBN0344	2430 mm (95.7 in)	1210 mm (47.6 in)	1010 mm (39.8 in)	1 m <sup>3</sup> (35 ft <sup>3</sup> )	0.8 m <sup>3</sup> (28 ft <sup>3</sup> )	800 kg/m <sup>3</sup> (50 lb/ft <sup>3</sup> )	-	670 kg (1477 lb)
TBN0345	2430 mm (95.7 in)	1210 mm (47.6 in)	1010 mm (39.8 in)	1 m <sup>3</sup> (35 ft <sup>3</sup> )	0.8 m <sup>3</sup> (28 ft <sup>3</sup> )	800 kg/m <sup>3</sup> (50 lb/ft <sup>3</sup> )	-	670 kg (1477 lb)

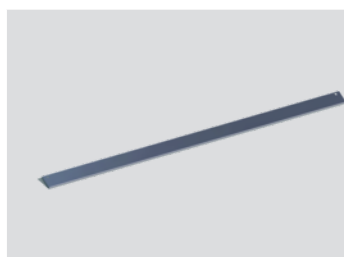


## Bucket for fodder with grab

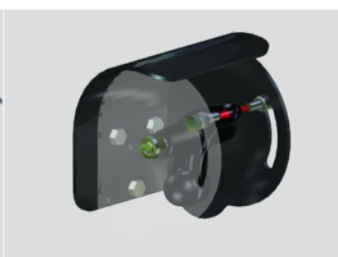
This equipment is intended for loading, unloading and handling bulk fodder. Thanks to the use of the holder, the bucket is used to its full potential, thus providing a greater load capacity, as the material is held in the bucket volumetric load capacity.



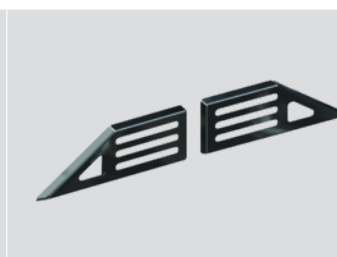
### Optionals:



Blade cover

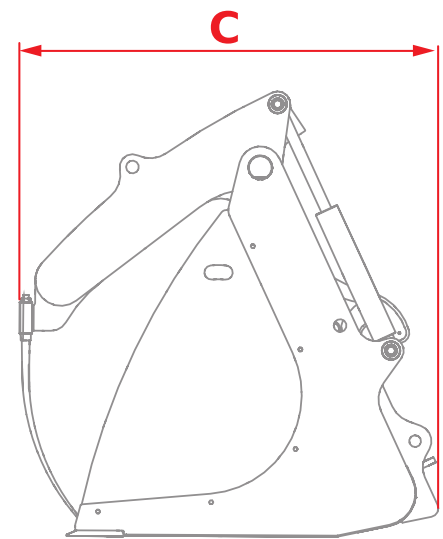
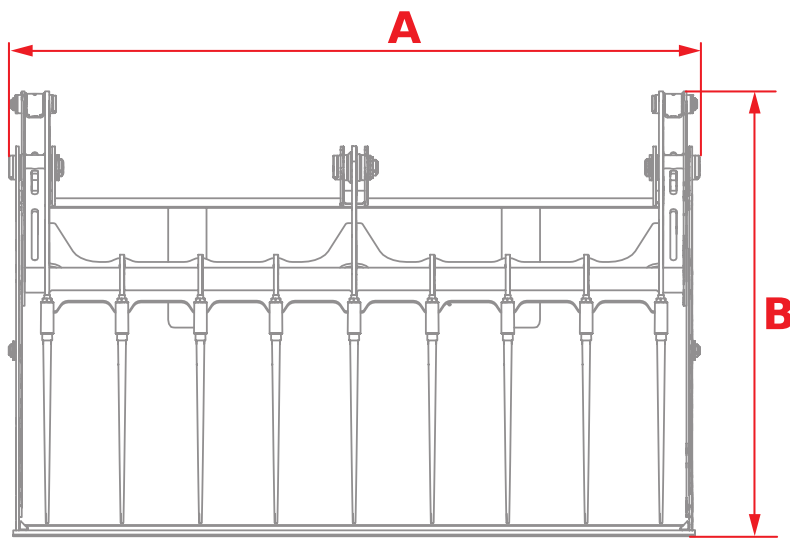


Mobile level indicator



Split rear guard

# Technical data



Code	A	B	C				
TBN0242	1980 mm (78.0 in)	1200 mm (47.2 in)	1105 mm (43.5 in)	1.25 m <sup>3</sup> (44 ft <sup>3</sup> )	1 m <sup>3</sup> (35 ft <sup>3</sup> )	1000 kg/m <sup>3</sup> (62 lb/ft <sup>3</sup> )	580 kg (1279 lb)
TBN0243	1980 mm (78.0 in)	1200 mm (47.2 in)	1105 mm (43.5 in)	1.25 m <sup>3</sup> (44 ft <sup>3</sup> )	1 m <sup>3</sup> (35 ft <sup>3</sup> )	1000 kg/m <sup>3</sup> (62 lb/ft <sup>3</sup> )	580 kg (1279 lb)
TBN0246	2400 mm (94.5 in)	1250 mm (49,2 in)	1180 mm (46.5 in)	1.5 m <sup>3</sup> (53 ft <sup>3</sup> )	1.2 m <sup>3</sup> (42 ft <sup>3</sup> )	1000 kg/m <sup>3</sup> (62 lb/ft <sup>3</sup> )	750 kg (1653 lb)
TBN0247	2400 mm (94.5 in)	1250 mm (49,2 in)	1180 mm (46.5 in)	1.5 m <sup>3</sup> (53 ft <sup>3</sup> )	1.2 m <sup>3</sup> (42 ft <sup>3</sup> )	1000 kg/m <sup>3</sup> (62 lb/ft <sup>3</sup> )	750 kg (1653 lb)
TBN0254	2450 mm (96.5 in)	1400 mm (55.1 in)	1480 mm (58.3 in)	2.5 m <sup>3</sup> (88 ft <sup>3</sup> )	2.1 m <sup>3</sup> (74 ft <sup>3</sup> )	1000 kg/m <sup>3</sup> (62 lb/ft <sup>3</sup> )	660 kg (1455 lb)
TBN0255	2450 mm (96.5 in)	1400 mm (55.1 in)	1480 mm (58.3 in)	2.5 m <sup>3</sup> (88 ft <sup>3</sup> )	2.1 m <sup>3</sup> (74 ft <sup>3</sup> )	1000 kg/m <sup>3</sup> (62 lb/ft <sup>3</sup> )	660 kg (1455 lb)
TBN0269	2450 mm (96.5 in)	1569 mm (61.8 in)	1478 mm (58.2 in)	2.5 m <sup>3</sup> (88 ft <sup>3</sup> )	2.1 m <sup>3</sup> (74 ft <sup>3</sup> )	1000 kg/m <sup>3</sup> (62 lb/ft <sup>3</sup> )	1055 kg (2326 lb)
TBN0270	2450 mm (96.5 in)	1569 mm (61.8 in)	1478 mm (58.2 in)	2.5 m <sup>3</sup> (88 ft <sup>3</sup> )	2.1 m <sup>3</sup> (74 ft <sup>3</sup> )	1000 kg/m <sup>3</sup> (62 lb/ft <sup>3</sup> )	1125 kg (2480 lb)
TBN0278	2400 mm (94.5 in)	1250 mm (49,2 in)	1075 mm (42.3 in)	1.5 m <sup>3</sup> (53 ft <sup>3</sup> )	1.2 m <sup>3</sup> (42 ft <sup>3</sup> )	1000 kg/m <sup>3</sup> (62 lb/ft <sup>3</sup> )	750 kg (1653 lb)
TBN0279	2400 mm (94.5 in)	1250 mm (49,2 in)	1075 mm (42.3 in)	1.5 m <sup>3</sup> (53 ft <sup>3</sup> )	1.2 m <sup>3</sup> (42 ft <sup>3</sup> )	1000 kg/m <sup>3</sup> (62 lb/ft <sup>3</sup> )	820 kg (1808 lb)
TBN0287	1980 mm (78.0 in)	1200 mm (47.2 in)	1105 mm (43.5 in)	1.25 m <sup>3</sup> (44 ft <sup>3</sup> )	1 m <sup>3</sup> (35 ft <sup>3</sup> )	1000 kg/m <sup>3</sup> (62 lb/ft <sup>3</sup> )	580 kg (1279 lb)
TBN0288	1980 mm (78.0 in)	1200 mm (47.2 in)	1105 mm (43.5 in)	1.25 m <sup>3</sup> (44 ft <sup>3</sup> )	1 m <sup>3</sup> (35 ft <sup>3</sup> )	1000 kg/m <sup>3</sup> (62 lb/ft <sup>3</sup> )	580 kg (1279 lb)
TBN0297	2400 mm (94.5 in)	1253 mm (49.3 in)	1170 mm (46.1 in)	1.5 m <sup>3</sup> (53 ft <sup>3</sup> )	-	800 kg/m <sup>3</sup> (50 lb/ft <sup>3</sup> )	745 kg (1642 lb)
TBN0298	2400 mm (94.5 in)	1253 mm (49.3 in)	1170 mm (46.1 in)	1.5 m <sup>3</sup> (53 ft <sup>3</sup> )	1.2 m <sup>3</sup> (42 ft <sup>3</sup> )	1000 kg/m <sup>3</sup> (62 lb/ft <sup>3</sup> )	815 kg (1797 lb)

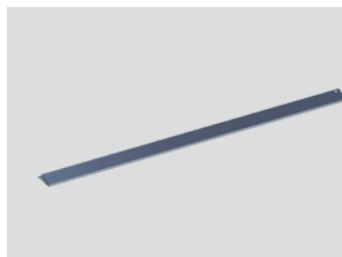
## Bucket for silage with grab

This equipment is intended for loading, unloading and handling bulk materials, such as silage, grains and chips.

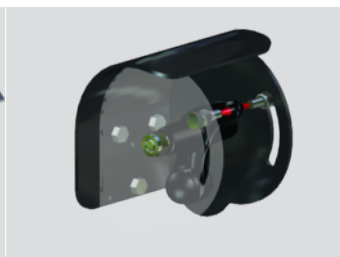
Thanks to the use of the holder, the bucket is used to its full potential, thus providing a greater load capacity, as the material is held in the bucket volumetric load capacity.



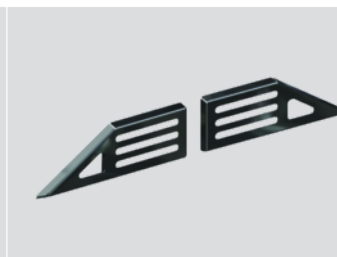
### Optionals:



Blade cover

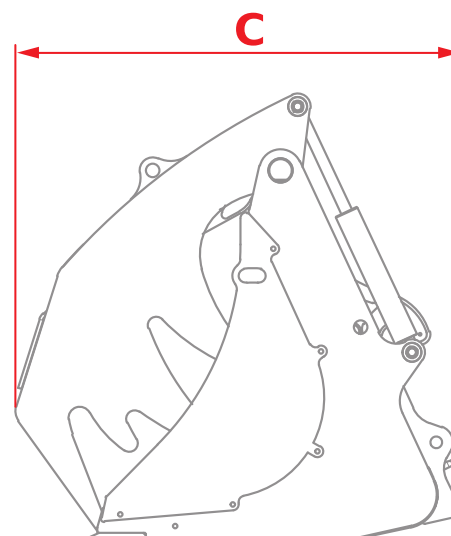
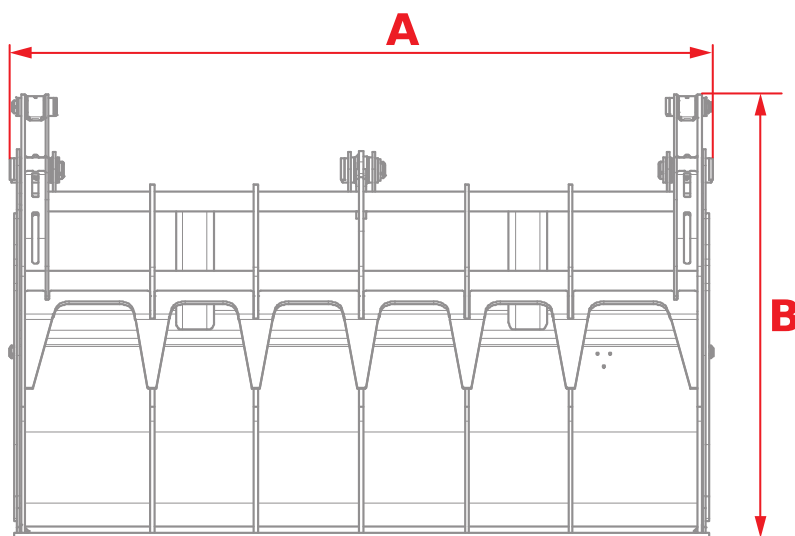


Mobile level indicator



Split rear guard

# Technical data



Code	A	B	C				
TBN0224	2400 mm (94.5 in)	1260 mm (49.6 in)	1000 mm (39.4 in)	1.5 m <sup>3</sup> (53 ft <sup>3</sup> )	1.2 m <sup>3</sup> (42 ft <sup>3</sup> )	800 kg/m <sup>3</sup> (50 lb/ft <sup>3</sup> )	840 kg (1852 lb)
TBN0226	2450 mm (96.5 in)	1570 mm (61.8 in)	1570 mm (61.8 in)	2.5 m <sup>3</sup> (88 ft <sup>3</sup> )	2.1 m <sup>3</sup> (74 ft <sup>3</sup> )	800 kg/m <sup>3</sup> (50 lb/ft <sup>3</sup> )	1195 kg (2635 lb)
TBN0227	2400 mm (94.5 in)	1260 mm (49.6 in)	1000 mm (39.4 in)	1.5 m <sup>3</sup> (53 ft <sup>3</sup> )	1.2 m <sup>3</sup> (42 ft <sup>3</sup> )	800 kg/m <sup>3</sup> (50 lb/ft <sup>3</sup> )	905 kg (1995 lb)
TBN0229	2450 mm (96.5 in)	1570 mm (61.8 in)	1570 mm (61.8 in)	2.5 m <sup>3</sup> (88 ft <sup>3</sup> )	2.1 m <sup>3</sup> (74 ft <sup>3</sup> )	800 kg/m <sup>3</sup> (50 lb/ft <sup>3</sup> )	1270 kg (2800 lb)
TBN0240	1980 mm (78.0 in)	1210 mm (47.6 in)	1200 mm (47.2 in)	1.25 m <sup>3</sup> (44 ft <sup>3</sup> )	1 m <sup>3</sup> (35 ft <sup>3</sup> )	800 kg/m <sup>3</sup> (50 lb/ft <sup>3</sup> )	620 kg (1367 lb)
TBN0241	1980 mm (78.0 in)	1210 mm (47.6 in)	1200 mm (47.2 in)	1.25 m <sup>3</sup> (44 ft <sup>3</sup> )	1 m <sup>3</sup> (35 ft <sup>3</sup> )	800 kg/m <sup>3</sup> (50 lb/ft <sup>3</sup> )	620 kg (1367 lb)
TBN0267	2480 mm (97.6 in)	1570 mm (61.8 in)	1570 mm (61.8 in)	2.5 m <sup>3</sup> (88 ft <sup>3</sup> )	2.1 m <sup>3</sup> (74 ft <sup>3</sup> )	800 kg/m <sup>3</sup> (50 lb/ft <sup>3</sup> )	1195 kg (2635 lb)
TBN0268	2480 mm (97.6 in)	1570 mm (61.8 in)	1570 mm (61.8 in)	2.5 m <sup>3</sup> (88 ft <sup>3</sup> )	2.1 m <sup>3</sup> (74 ft <sup>3</sup> )	800 kg/m <sup>3</sup> (50 lb/ft <sup>3</sup> )	1270 kg (2800 lb)
TBN0276	2435 mm (95.9 in)	1253 mm (49.3 in)	1248 mm (49.1 in)	1.5 m <sup>3</sup> (53 ft <sup>3</sup> )	1.2 m <sup>3</sup> (42 ft <sup>3</sup> )	800 kg/m <sup>3</sup> (50 lb/ft <sup>3</sup> )	835 kg (1841 lb)
TBN0277	2435 mm (95.9 in)	1253 mm (49.3 in)	1248 mm (49.1 in)	1.5 m <sup>3</sup> (53 ft <sup>3</sup> )	1.2 m <sup>3</sup> (42 ft <sup>3</sup> )	800 kg/m <sup>3</sup> (50 lb/ft <sup>3</sup> )	905 kg (1995 lb)
TBN0285	1980 mm (78.0 in)	1210 mm (47.6 in)	1200 mm (47.2 in)	1.25 m <sup>3</sup> (44 ft <sup>3</sup> )	1 m <sup>3</sup> (35 ft <sup>3</sup> )	800 kg/m <sup>3</sup> (50 lb/ft <sup>3</sup> )	620 kg (1367 lb)
TBN0286	1980 mm (78.0 in)	1210 mm (47.6 in)	1200 mm (47.2 in)	1.25 m <sup>3</sup> (44 ft <sup>3</sup> )	1 m <sup>3</sup> (35 ft <sup>3</sup> )	800 kg/m <sup>3</sup> (50 lb/ft <sup>3</sup> )	620 kg (1367 lb)
TBN0295	2430 mm (95.7 in)	1254 mm (49.4 in)	1228 mm (48.3 in)	1.5 m <sup>3</sup> (53 ft <sup>3</sup> )	1.2 m <sup>3</sup> (42 ft <sup>3</sup> )	800 kg/m <sup>3</sup> (50 lb/ft <sup>3</sup> )	835 kg (1841 lb)
TBN0296	2430 mm (95.7 in)	1254 mm (49.4 in)	1228 mm (48.3 in)	1.5 m <sup>3</sup> (53 ft <sup>3</sup> )	1.2 m <sup>3</sup> (42 ft <sup>3</sup> )	800 kg/m <sup>3</sup> (50 lb/ft <sup>3</sup> )	905 kg (1995 lb)

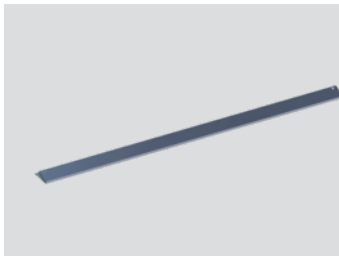
## Bucket for manure and generic material with grab

This equipment is intended for loading, unloading and handling bulk materials, such as manure, non-hazardous waste in a compactable form and timber.

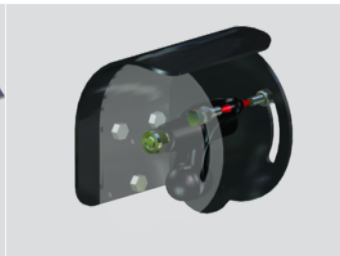
Thanks to the use of the holder the bucket is used at its full potential, thus providing a greater load capacity, as the material can be compressed and held in the bucket volumetric load capacity.



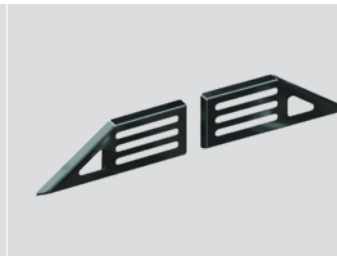
### Optionals:



Blade cover

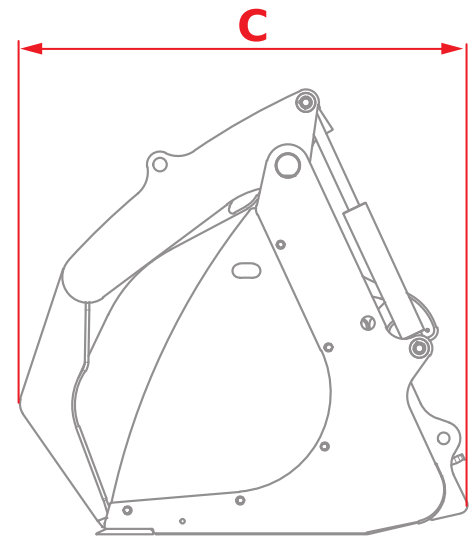
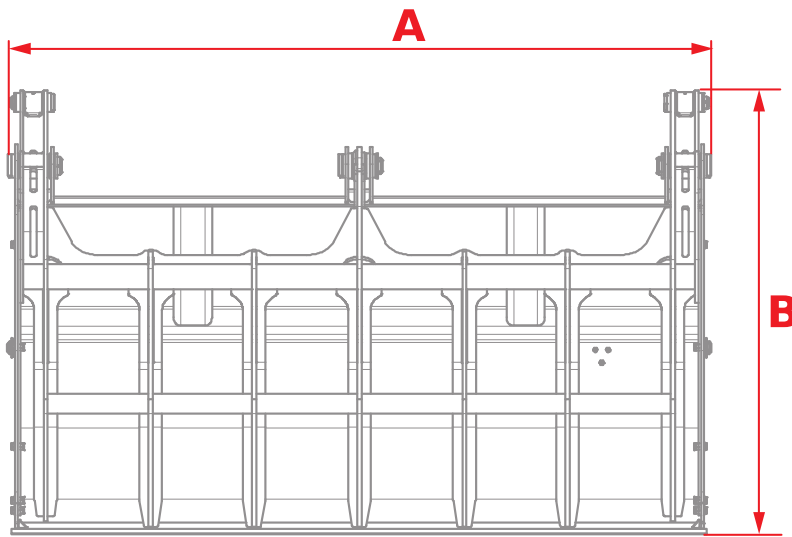


Mobile level indicator



Split rear guard

# Technical data



Code	A	B	C				
TBN0113	1980 mm (78.0 in)	1200 mm (47.2 in)	1270 mm (50.0 in)	1.25 m <sup>3</sup> (44 ft <sup>3</sup> )	1 m <sup>3</sup> (35 ft <sup>3</sup> )	800 kg/m <sup>3</sup> (50 lb/ft <sup>3</sup> )	605 kg (1334 lb)
TBN0126	1980 mm (78.0 in)	1200 mm (47.2 in)	1270 mm (50.0 in)	1.25 m <sup>3</sup> (44 ft <sup>3</sup> )	1 m <sup>3</sup> (35 ft <sup>3</sup> )	800 kg/m <sup>3</sup> (50 lb/ft <sup>3</sup> )	570 kg (1257 lb)
TBN0137	2400 mm (94.5 in)	1255 mm (49.4 in)	1255 mm (49.4 in)	1.5 m <sup>3</sup> (53 ft <sup>3</sup> )	1.2 m <sup>3</sup> (42 ft <sup>3</sup> )	800 kg/m <sup>3</sup> (50 lb/ft <sup>3</sup> )	815 kg (1797 lb)
TBN0138	2400 mm (94.5 in)	1255 mm (49.4 in)	1255 mm (49.4 in)	1.5 m <sup>3</sup> (53 ft <sup>3</sup> )	1.2 m <sup>3</sup> (42 ft <sup>3</sup> )	800 kg/m <sup>3</sup> (50 lb/ft <sup>3</sup> )	880 kg (1940 lb)
TBN0177	1980 mm (78.0 in)	1205 mm (47.4 in)	1235 mm (48.6 in)	1.25 m <sup>3</sup> (44 ft <sup>3</sup> )	1 m <sup>3</sup> (35 ft <sup>3</sup> )	800 kg/m <sup>3</sup> (50 lb/ft <sup>3</sup> )	585 kg (1290 lb)
TBN0178	1980 mm (78.0 in)	1205 mm (47.4 in)	1320 mm (52.0 in)	1.25 m <sup>3</sup> (44 ft <sup>3</sup> )	1 m <sup>3</sup> (35 ft <sup>3</sup> )	800 kg/m <sup>3</sup> (50 lb/ft <sup>3</sup> )	585 kg (1290 lb)
TBN0179	1980 mm (78.0 in)	1205 mm (47.4 in)	1235 mm (48.6 in)	1.25 m <sup>3</sup> (44 ft <sup>3</sup> )	1 m <sup>3</sup> (35 ft <sup>3</sup> )	800 kg/m <sup>3</sup> (50 lb/ft <sup>3</sup> )	615 kg (1356 lb)
TBN0180	1980 mm (78.0 in)	1205 mm (47.4 in)	1320 mm (52.0 in)	1.25 m <sup>3</sup> (44 ft <sup>3</sup> )	1 m <sup>3</sup> (35 ft <sup>3</sup> )	800 kg/m <sup>3</sup> (50 lb/ft <sup>3</sup> )	620 kg (1367 lb)
TBN0218	2400 mm (94.5 in)	1260 mm (49.6 in)	1255 mm (49.4 in)	1.5 m <sup>3</sup> (53 ft <sup>3</sup> )	1.2 m <sup>3</sup> (42 ft <sup>3</sup> )	800 kg/m <sup>3</sup> (50 lb/ft <sup>3</sup> )	815 kg (1797 lb)
TBN0220	2450 mm (96.5 in)	1600 mm (63.0 in)	1780 mm (70.1 in)	2.5 m <sup>3</sup> (88 ft <sup>3</sup> )	2.1 m <sup>3</sup> (74 ft <sup>3</sup> )	800 kg/m <sup>3</sup> (50 lb/ft <sup>3</sup> )	1170 kg (2579 lb)
TBN0221	2400 mm (94.5 in)	1260 mm (49.6 in)	1255 mm (49.4 in)	1.5 m <sup>3</sup> (53 ft <sup>3</sup> )	1.2 m <sup>3</sup> (42 ft <sup>3</sup> )	800 kg/m <sup>3</sup> (50 lb/ft <sup>3</sup> )	880 kg (1940 lb)
TBN0223	2450 mm (96.5 in)	1600 mm (63.0 in)	1780 mm (70.1 in)	2.5 m <sup>3</sup> (88 ft <sup>3</sup> )	2.1 m <sup>3</sup> (74 ft <sup>3</sup> )	800 kg/m <sup>3</sup> (50 lb/ft <sup>3</sup> )	1250 kg (2756 lb)
TBN0265	2450 mm (96.5 in)	1569 mm (61.8 in)	1568 mm (61.7 in)	2.5 m <sup>3</sup> (88 ft <sup>3</sup> )	2.1 m <sup>3</sup> (74 ft <sup>3</sup> )	800 kg/m <sup>3</sup> (50 lb/ft <sup>3</sup> )	1170 kg (2579 lb)
TBN0266	2450 mm (96.5 in)	1569 mm (61.8 in)	1568 mm (61.7 in)	2.5 m <sup>3</sup> (88 ft <sup>3</sup> )	2.1 m <sup>3</sup> (74 ft <sup>3</sup> )	800 kg/m <sup>3</sup> (50 lb/ft <sup>3</sup> )	1250 kg (2756 lb)
TBN0274	2400 mm (94.5 in)	1253 mm (49.3 in)	1240 mm (48.8 in)	1.5 m <sup>3</sup> (53 ft <sup>3</sup> )	1.2 m <sup>3</sup> (42 ft <sup>3</sup> )	800 kg/m <sup>3</sup> (50 lb/ft <sup>3</sup> )	810 kg (1786 lb)
TBN0275	2400 mm (94.5 in)	1253 mm (49.3 in)	1240 mm (48.8 in)	1.5 m <sup>3</sup> (53 ft <sup>3</sup> )	1.2 m <sup>3</sup> (42 ft <sup>3</sup> )	800 kg/m <sup>3</sup> (50 lb/ft <sup>3</sup> )	925 kg (2039 lb)
TBN0283	1980 mm (78.0 in)	1203 mm (47.4 in)	1249 mm (49.2 in)	1.25 m <sup>3</sup> (44 ft <sup>3</sup> )	1 m <sup>3</sup> (35 ft <sup>3</sup> )	800 kg/m <sup>3</sup> (50 lb/ft <sup>3</sup> )	600 kg (1323 lb)
TBN0284	1980 mm (78.0 in)	1202 mm (47.3 in)	1249 mm (49.2 in)	1.25 m <sup>3</sup> (44 ft <sup>3</sup> )	1 m <sup>3</sup> (35 ft <sup>3</sup> )	800 kg/m <sup>3</sup> (50 lb/ft <sup>3</sup> )	625 kg (1378 lb)
TBN0293	2400 mm (94.5 in)	1252 mm (49.3 in)	1245 mm (49.0 in)	1.5 m <sup>3</sup> (53 ft <sup>3</sup> )	1.2 m <sup>3</sup> (42 ft <sup>3</sup> )	800 kg/m <sup>3</sup> (50 lb/ft <sup>3</sup> )	810 kg (1786 lb)
TBN0294	2400 mm (94.5 in)	1252 mm (49.3 in)	1245 mm (49.0 in)	1.5 m <sup>3</sup> (53 ft <sup>3</sup> )	1.2 m <sup>3</sup> (42 ft <sup>3</sup> )	800 kg/m <sup>3</sup> (50 lb/ft <sup>3</sup> )	880 kg (1940 lb)
TBN0331	1700 mm (66.9 in)	1076 mm (42.4 in)	1126 mm (44.3 in)	1 m <sup>3</sup> (35 ft <sup>3</sup> )	0.8 m <sup>3</sup> (28 ft <sup>3</sup> )	800 kg/m <sup>3</sup> (50 lb/ft <sup>3</sup> )	555 kg (1224 lb)
TBN0332	1700 mm (66.9 in)	1096 mm (43.1 in)	1126 mm (44.3 in)	1 m <sup>3</sup> (35 ft <sup>3</sup> )	0.8 m <sup>3</sup> (28 ft <sup>3</sup> )	800 kg/m <sup>3</sup> (50 lb/ft <sup>3</sup> )	600 kg (1323 lb)

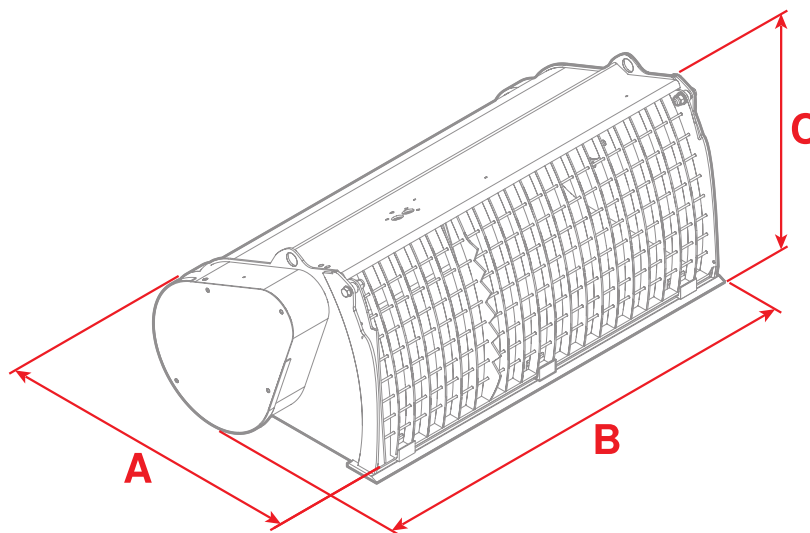
## Mixing bucket

The mixing bucket is the ideal device to produce fresh cement in any condition with unparalleled ease and speed.

In addition to the significant reduction in operating costs, using this equipment in many cases becomes essential, for example when there is no electrical connection to use the classic concrete mixer.

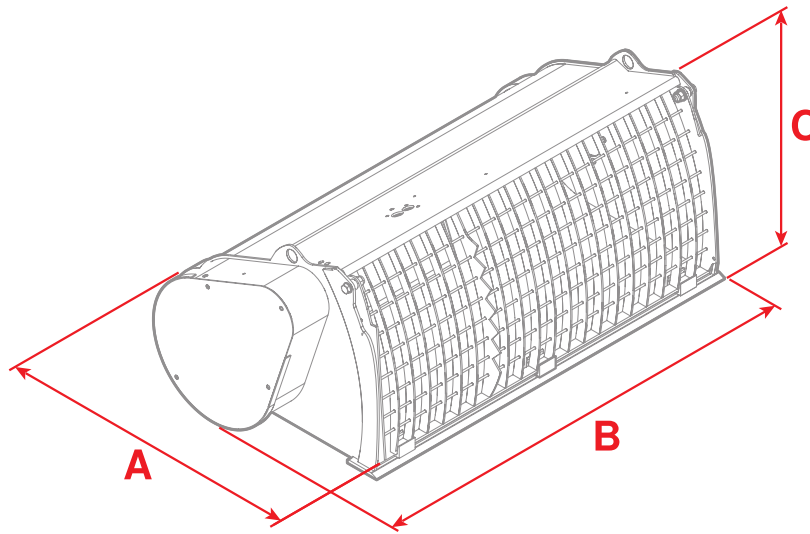


## Technical data



Code	A	B	C		
TBN0034	1700 mm (66.9 in)	630 mm (24.8 in)	750 mm (29.5 in)	350 l (92.46 gal)	470 kg (1036 lb)
TBN0051	1700 mm (66.9 in)	720 mm (28.3 in)	820 mm (32.3 in)	500 l (132.09 gal)	680 kg (1499 lb)
TBN0061	1760 mm (69.3 in)	582 mm (22.9 in)	1050 mm (41.3 in)	-	590 kg (1301 lb)
TBN0077	1700 mm (66.9 in)	630 mm (24.8 in)	750 mm (29.5 in)	350 l (92.46 gal)	450 kg (992 lb)

# Technical data



Code	A	B	C		
TBN0303	1700 mm (66.9 in)	630 mm (24.8 in)	750 mm (29.5 in)	350 l (92.46 gal)	440 kg (970 lb)
TBN0304	1700 mm (66.9 in)	630 mm (24.8 in)	750 mm (29.5 in)	350 l (92.46 gal)	440 kg (970 lb)
TBN0305	1700 mm (66.9 in)	720 mm (28.3 in)	820 mm (32.3 in)	500 l (132.09 gal)	680 kg (1499 lb)
TBN0312	1700 mm (66.9 in)	630 mm (24.8 in)	750 mm (29.5 in)	350 l (92.46 gal)	440 kg (970 lb)
TBN0313	1700 mm (66.9 in)	720 mm (28.3 in)	820 mm (32.3 in)	500 l (132.09 gal)	680 kg (1499 lb)
TBN0318	1700 mm (66.9 in)	630 mm (24.8 in)	750 mm (29.5 in)	350 l (92.46 gal)	440 kg (970 lb)
TBN0319	1700 mm (66.9 in)	720 mm (28.3 in)	820 mm (32.3 in)	500 l (132.09 gal)	680 kg (1499 lb)
TBN0340	1816 mm (71.5 in)	940 mm (37.0 in)	970 mm (38.2 in)	768 l (202,88 gal)	420 kg (926 lb)
TBN0359	1700 mm (66.9 in)	850 mm (33.5 in)	1050 mm (41.3 in)	-	420 kg (926 lb)
TBN0360	1760 mm (69.3 in)	860 mm (33.9 in)	776 mm (30.6 in)	460 l (121,52 gal)	595 kg (1312 lb)
TBN0364	1816 mm (71.5 in)	960 mm (37.8 in)	980 mm (38.6 in)	350 l (92.46 gal)	447 kg (985 lb)
TBN0365	1785 mm (70.3 in)	955 mm (37.6 in)	1100 mm (43.3 in)	-	450 kg (992 lb)



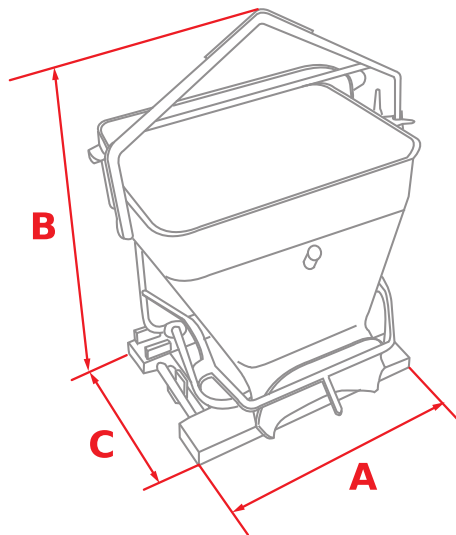
# Ladle

This equipment is ideal for loading and transporting concrete, or for cleaning and emptying facilities from construction waste.

Equipped with hydraulic opening that can be operated from the cab.

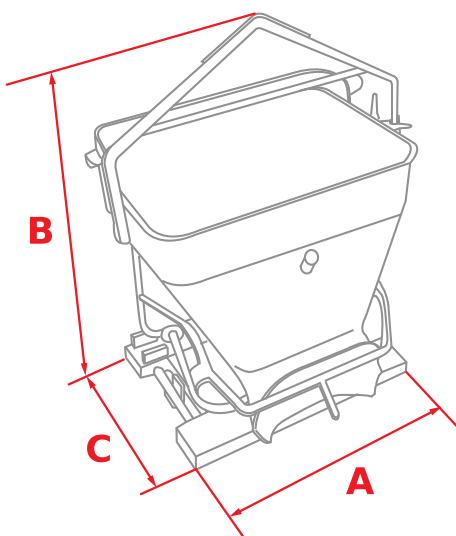


## Technical data



Code	A	B	C		
TGN0015	1200 mm (47.2 in)	1260 mm (49.6 in)	1400 mm (55.1 in)	600 l (158.50 gal)	230 kg (507 lb)
TGN0109	1200 mm (47.2 in)	1460 mm (57.5 in)	1400 mm (55.1 in)	400 l (105.67 gal)	240 kg (529 lb)
TGN0110	1200 mm (47.2 in)	1260 mm (49.6 in)	1400 mm (55.1 in)	600 l (158.50 gal)	230 kg (507 lb)
TGN0292	1160 mm (45.7 in)	1690 mm (66.5 in)	1400 mm (55.1 in)	400 l (105.67 gal)	180 kg (397 lb)
TGN0293	1200 mm (47.2 in)	1460 mm (57.5 in)	1400 mm (55.1 in)	400 l (105.67 gal)	240 kg (529 lb)
TGN0294	1200 mm (47.2 in)	1460 mm (57.5 in)	1400 mm (55.1 in)	400 l (105.67 gal)	240 kg (529 lb)

# Technical data

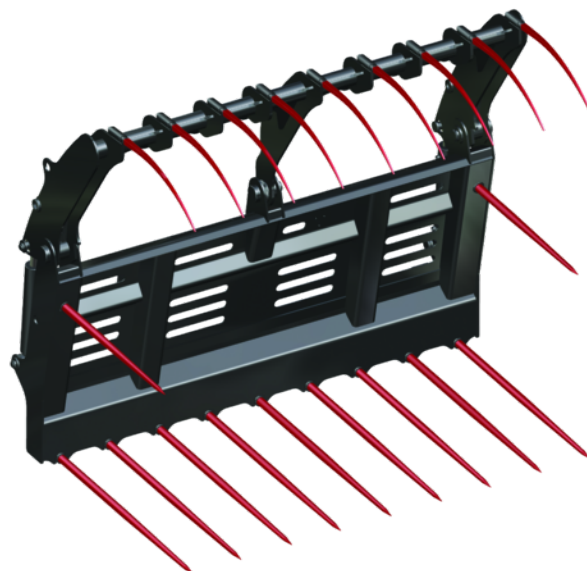


Code	<b>A</b> 	<b>B</b> 	<b>C</b> 		
TGN0295	1200 mm (47.2 in)	1260 mm (49.6 in)	1400 mm (55.1 in)	600 l (158.50 gal)	230 kg (507 lb)
TGN0296	1200 mm (47.2 in)	1260 mm (49.6 in)	1400 mm (55.1 in)	600 l (158.50 gal)	230 kg (507 lb)

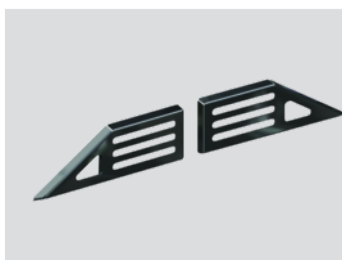
## Multipurpose fork with holder

This equipment is ideal for use in handling very dense semi-solid material such as manure, peat, wet wood chips and more.

The reduced distance between the teeth almost completely eliminates the outflow of the material. The holder has a double function, on the one hand it facilitates the detachment of the material from the pile and on the other, once tightened, it holds it firmly to the fork.

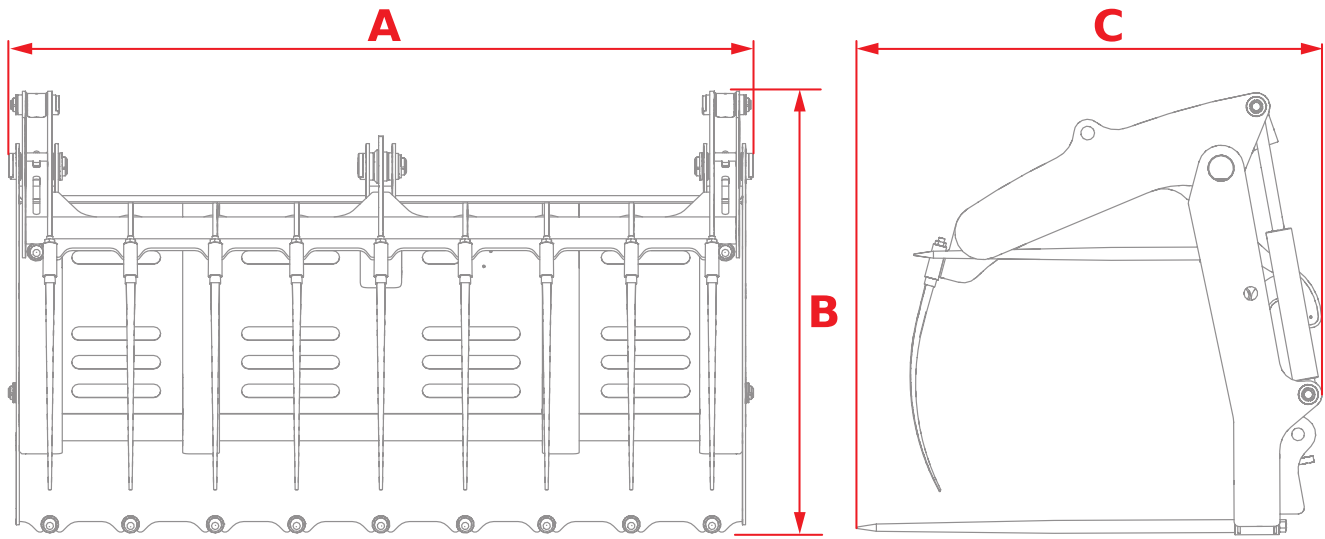


### Optionals:



Split rear guard

# Technical data



Code	A	B	C		
TGN0010	2420 mm (95.3 in)	1100 mm (43.3 in)	960 mm (37.8 in)	850 kg (1874 lb)	370 kg (816 lb)
TGN0013	2420 mm (95.3 in)	1100 mm (43.3 in)	970 mm (38.2 in)	850 kg (1874 lb)	425 kg (937 lb)
TGN0021	2420 mm (95.3 in)	1100 mm (43.3 in)	970 mm (38.2 in)	850 kg (1874 lb)	450 kg (992 lb)
TGN0025	2030 mm (79.9 in)	1100 mm (43.3 in)	1020 mm (40.2 in)	850 kg (1874 lb)	365 kg (805 lb)
TGN0037	2420 mm (95.3 in)	1100 mm (43.3 in)	950 mm (37.4 in)	850 kg (1874 lb)	350 kg (772 lb)
TGN0055	1820 mm (71.7 in)	850 mm (33.5 in)	1100 mm (43.3 in)	850 kg (1874 lb)	360 kg (794 lb)
TGN0086	2016 mm (79.4 in)	1010 mm (39.8 in)	1019 mm (40.1 in)	850 kg (1874 lb)	370 kg (816 lb)
TGN0091	2416 mm (95.1 in)	1060 mm (41.7 in)	1075 mm (42.3 in)	850 kg (1874 lb)	450 kg (992 lb)
TGN0096	2020 mm (79.5 in)	1100 mm (43.3 in)	1020 mm (40.2 in)	850 kg (1874 lb)	450 kg (992 lb)
TGN0115	1700 mm (66.9 in)	1138 mm (44.8 in)	1098 mm (43.2 in)	850 kg (1874 lb)	470 kg (1036 lb)

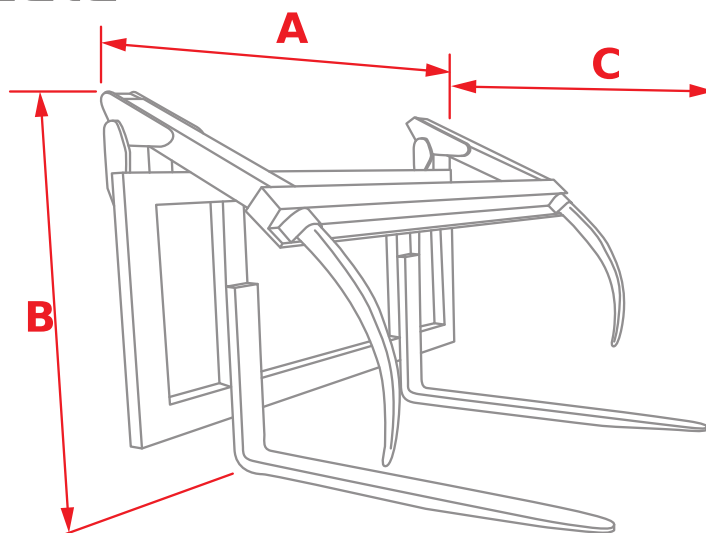
## Fork for logs

Equipment suitable for feeding forest separation plants, in industrial sawmills and for handling and storing wood and log stacks.

Equipped with a hydraulically operated closing grid, it is also effective for unloading timber from trailers and for sorting whole logs.



## Technical data



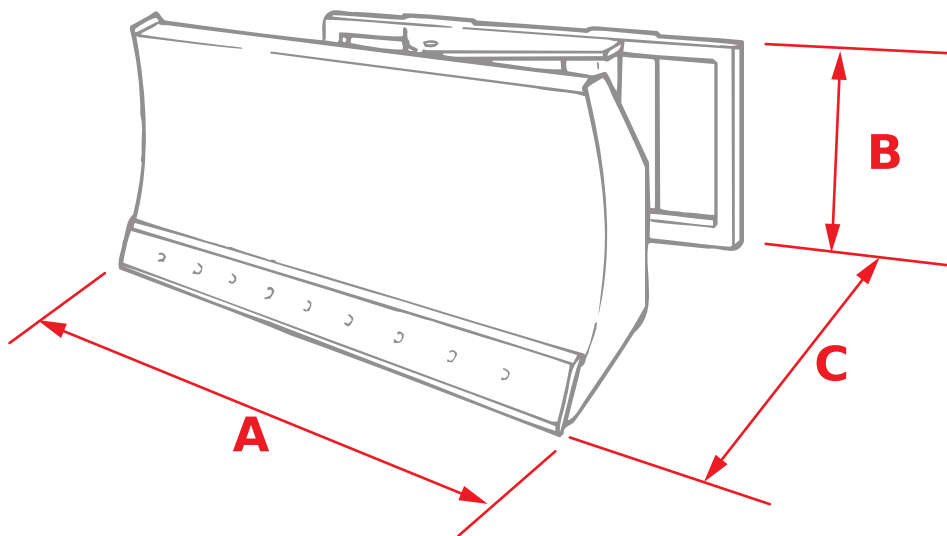
Code	A	B	C		
TGN0009	1800 mm (70.9 in)	1127 mm (44.4 in)	1402 mm (55.2 in)	7500 kg (16535 lb)	300 kg (661 lb)
TGN0020	1800 mm (70.9 in)	1127 mm (44.4 in)	1402 mm (55.2 in)	7500 kg (16535 lb)	300 kg (661 lb)
TGN0085	1800 mm (70.9 in)	1127 mm (44.4 in)	1402 mm (55.2 in)	7500 kg (16535 lb)	300 kg (661 lb)
TGN0090	1800 mm (70.9 in)	1127 mm (44.4 in)	1402 mm (55.2 in)	7500 kg (16535 lb)	300 kg (661 lb)
TGN0094	-	-	-	-	-

## Angledozer blade

Blade suitable for excavation, spreading and leveling of soil with double-acting hydraulic cylinders for left and right angles.



## Technical data



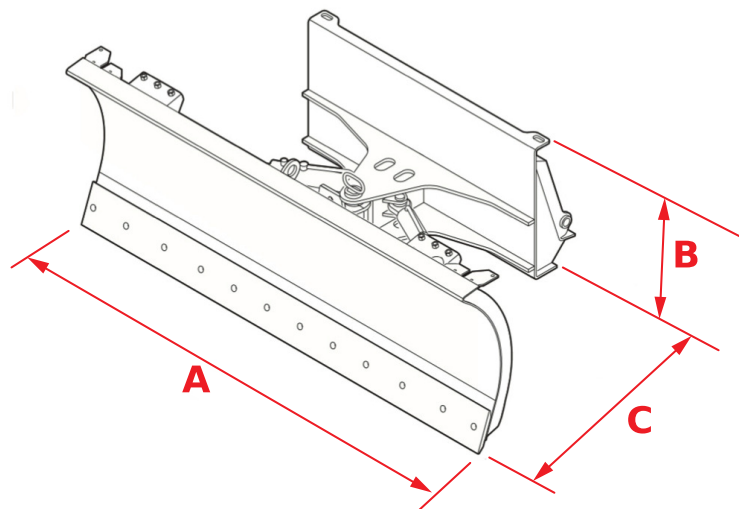
Code	A	B	C	
TGN0039	2100 mm (82.7 in)	660 mm (26.0 in)	611 mm (24.1 in)	215 kg (474 lb)

## Snow plough

Snow plough with shock-proof tipping system with spring return, horizontal self leveling and left-right rotation.



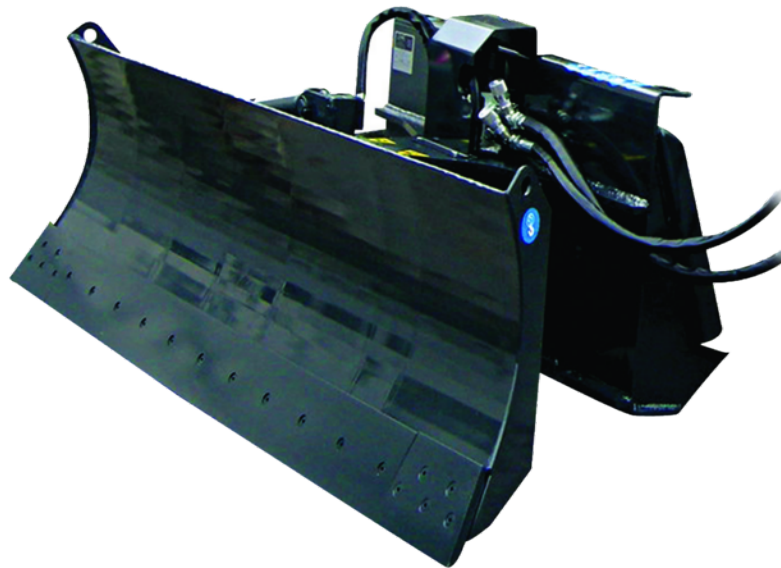
## Technical data



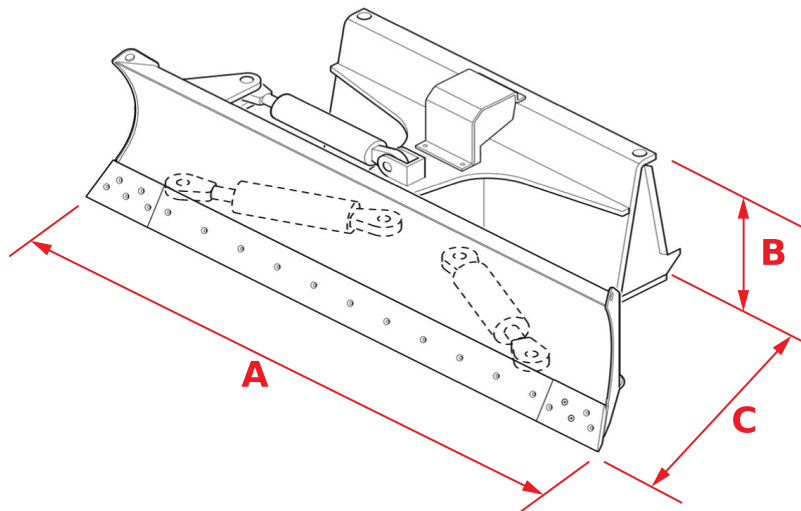
Code	A	B	C	
TGN0011	2400 mm (94.5 in)	862 mm (33.9 in)	1147 mm (45.2 in)	545 kg (1202 lb)
TGN0040	2100 mm (82.7 in)	820 mm (32.3 in)	1130 mm (44.5 in)	480 kg (1058 lb)
TGN0087	3060 mm (120.5 in)	1000 mm (39.4 in)	1271 mm (50.0 in)	560 kg (1235 lb)
TGN0299	2700 mm (106.3 in)	862 mm (33.9 in)	1147 mm (45.2 in)	580 kg (1279 lb)





## Tiltadozer blade

This blade is used to level the ground with absolute accuracy ensuring maximum productivity even in small spaces with double-acting cylinders for oscillation (TILT) and left-right hydraulic angle.



## Technical data



Code	A 	B 	C 	
TGN0038	2400 mm (94.5 in)	540 mm (21.3 in)	820 mm (32.3 in)	420 kg (926 lb)

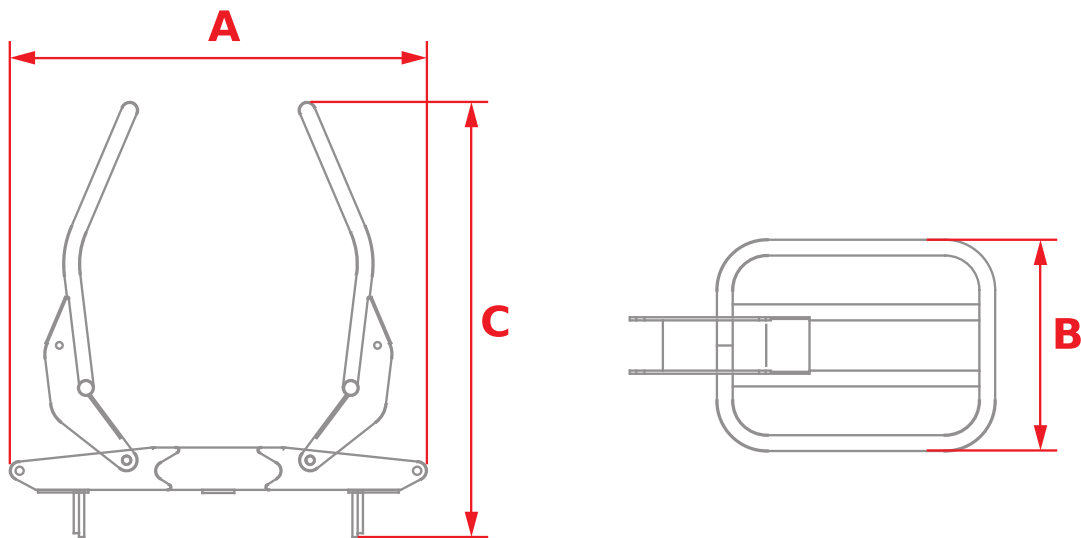


## Clamp for big wrapped bales

This clamp is designed to handle wrapped hay bales, the smooth and rounded tubular structure avoids damage to the protective film.



## Technical data



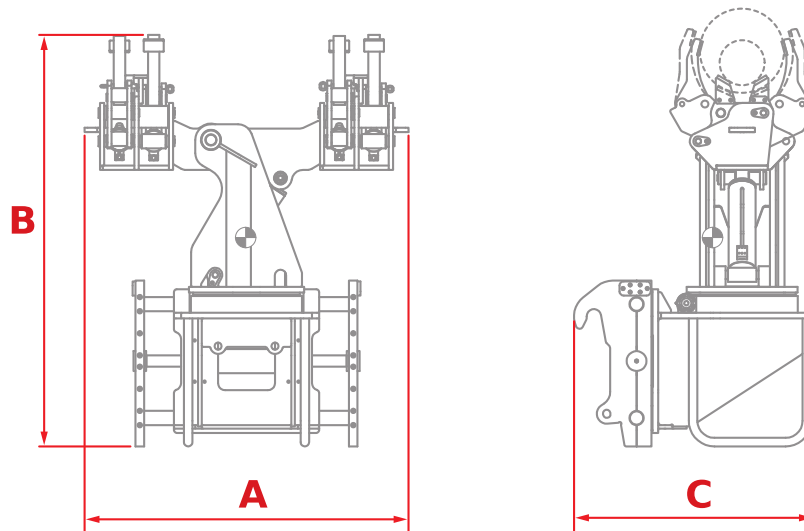
Code	A	B	C	
TGN0003	1574 mm (62.0 in)	800 mm (31.5 in)	1643 mm (64.7 in)	250 kg (551 lb)
TGN0017	1574 mm (62.0 in)	800 mm (31.5 in)	1643 mm (64.7 in)	250 kg (551 lb)
TGN0035	1574 mm (62.0 in)	800 mm (31.5 in)	1643 mm (64.7 in)	250 kg (551 lb)
TGN0082	1574 mm (62.0 in)	800 mm (31.5 in)	1643 mm (64.7 in)	250 kg (551 lb)
TGN0089	1574 mm (62.0 in)	800 mm (31.5 in)	1643 mm (64.7 in)	250 kg (551 lb)
TGN0093	1574 mm (62.0 in)	800 mm (31.5 in)	1643 mm (64.7 in)	250 kg (551 lb)

## Gripper for cylinders

This clamp has been designed to handle various types of cylinders. The possibility of rotating and tilting makes it indispensable in maintenance operations of large machinery such as dumpers and mine excavators.



## Technical data



Code	A	B	C	
TGN0068	2276 mm (89.6 in)	2984 mm (117.5 in)	1546 mm (60.9 in)	4215 kg (9292 lb)
TGN0119	2276 mm (89.6 in)	2984 mm (117.5 in)	1546 mm (60.9 in)	4320 kg (9524 lb)

## Grab grippers for two roll bales

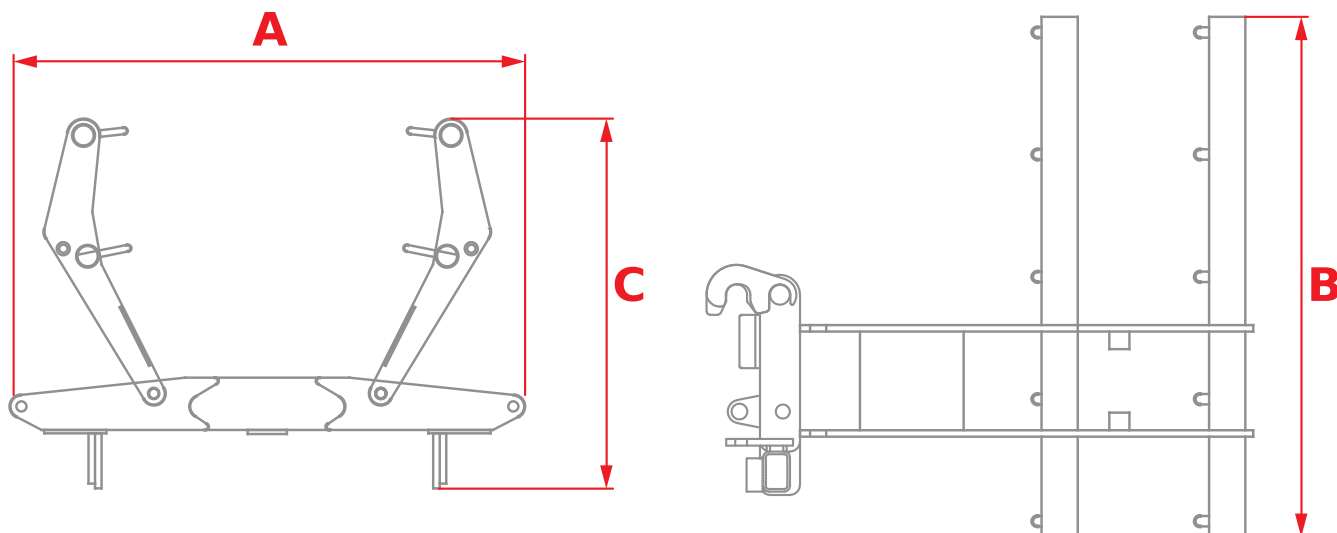
Grab grippers for two roll bales

This equipment has been designed to move one or two wrapped roll bales.

The combination of the equipment functionality and the vehicle capacities makes it particularly useful for loading and unloading trailers.



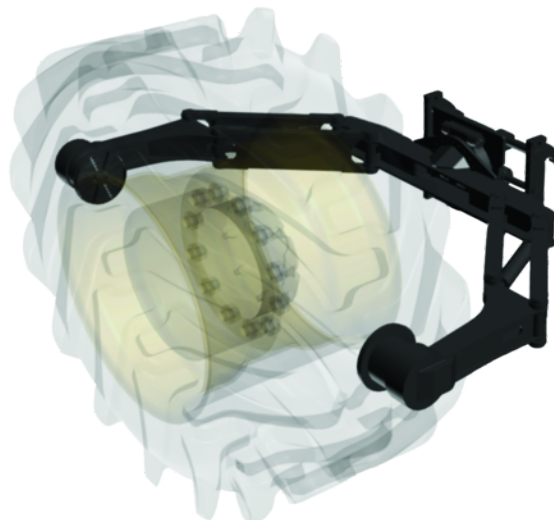
## Technical data



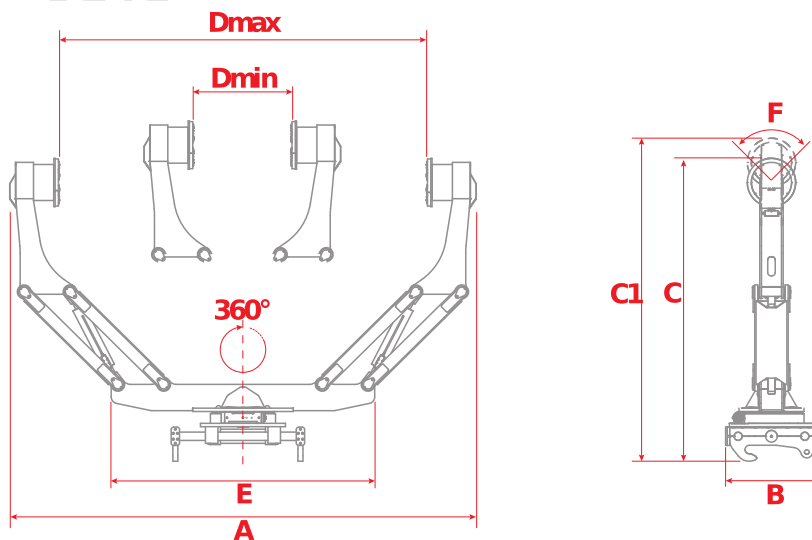
Code	A	B	C	
TGN0002	2100 mm (82.7 in)	1550 mm (61.0 in)	951 mm (37.4 in)	360 kg (794 lb)
TGN0016	2100 mm (82.7 in)	1550 mm (61.0 in)	951 mm (37.4 in)	340 kg (750 lb)
TGN0034	2100 mm (82.7 in)	1550 mm (61.0 in)	951 mm (37.4 in)	340 kg (750 lb)
TGN0081	1929 mm (75.9 in)	1785 mm (70.3 in)	951 mm (37.4 in)	360 kg (794 lb)
TGN0088	1929 mm (75.9 in)	1785 mm (70.3 in)	951 mm (37.4 in)	340 kg (750 lb)
TGN0092	1929 mm (75.9 in)	1785 mm (70.3 in)	951 mm (37.4 in)	360 kg (794 lb)

## Gripper for tires

This gripper has been designed to handle various types of tires. The possibility of rotating and tilting makes it indispensable in maintenance operations of large machinery such as mine dumpers.

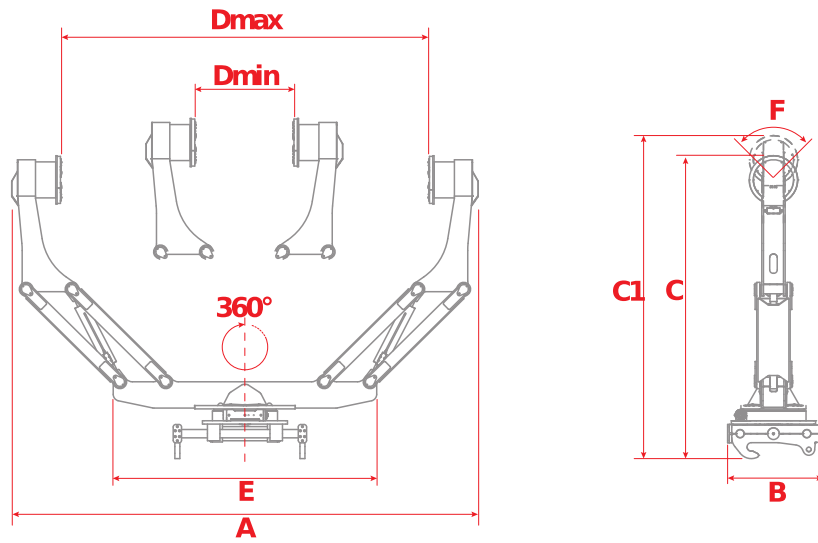


## Technical data



Code	A	B	C	C1	D <sub>Max</sub>	D <sub>Min</sub>	E	F		
TGN0069	5594 mm (220.2 in)	1100 mm (43.3 in)	3632 mm (143.0 in)	4050 mm (159.4 in)	4398 mm (173.1 in)	1480 mm (58.3 in)	3164 mm (124.6 in)	360 °	6000 kg (13228 lb)	4680 kg (10318 lb)
TGN0105	4144 mm (163.1 in)	1156 mm (45.5 in)	3259 mm (128.3 in)	3592 mm (141.4 in)	3558 mm (140.1 in)	1458 mm (57.4 in)	2504 mm (98.6 in)	97 °	4000 kg (8818 lb)	3350 kg (7385 lb)
TGN0118	4144 mm (163.1 in)	1156 mm (45.5 in)	3259 mm (128.3 in)	3592 mm (141.4 in)	3558 mm (140.1 in)	1458 mm (57.4 in)	2504 mm (98.6 in)	97 °	4000 kg (8818 lb)	3350 kg (7385 lb)
TGN0120	5594 mm (220.2 in)	1100 mm (43.3 in)	3632 mm (143.0 in)	4050 mm (159.4 in)	4398 mm (173.1 in)	1480 mm (58.3 in)	3164 mm (124.6 in)	360 °	6000 kg (13228 lb)	4680 kg (10318 lb)

# Technical data



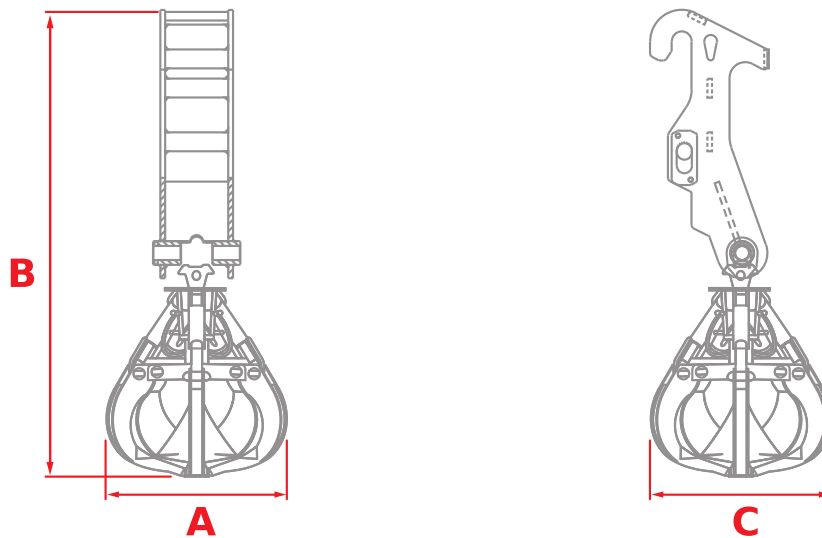
Code	A	B	C	C1	D <sub>Max</sub>	D <sub>Min</sub>	E	F		
TGN0123	4818 mm (189.7 in)	1500 mm (59.1 in)	3493 mm (137.5 in)	3950 mm (155.5 in)	4088 mm (160.9 in)	1300 mm (51.2 in)	3220 mm (126.8 in)	360 °	9000 kg (19842 lb)	4590 kg (10119 lb)

## Orange-peel grabber

The orange-peel grabber is a hydraulic equipment suitable for handling loose materials such as scrap, urban waste, industrial waste, processing waste, boulders, paper, cardboard, plastic, wood and tires. Therefore it is mainly used in the recycling and disposal sector.



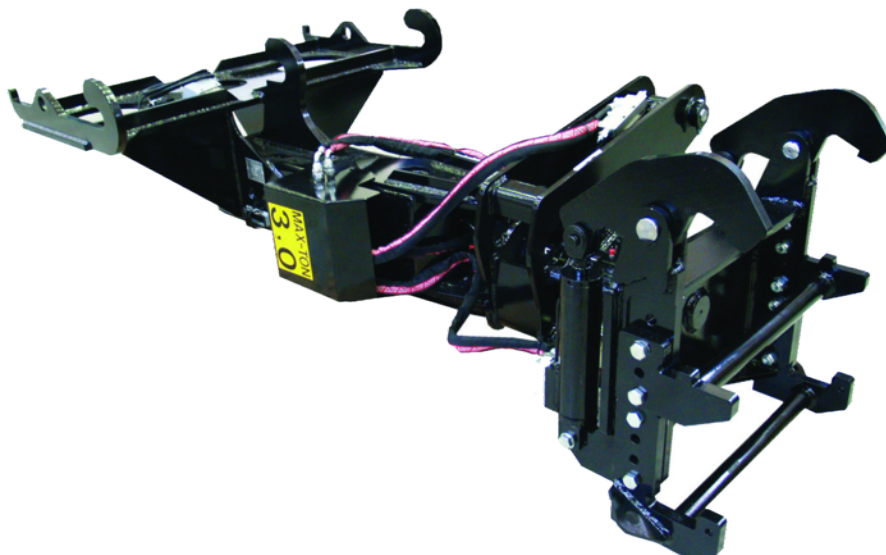
## Technical data



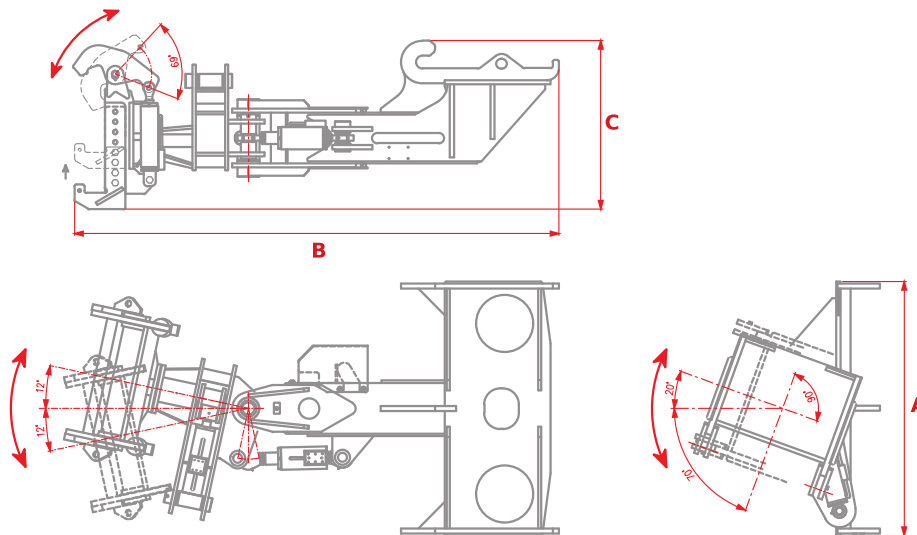
Code	A	B	C	
TGN0023	1020 mm (40.2 in)	1700 mm (66.9 in)	1020 mm (40.2 in)	340 kg (750 lb)
TGN0107	1120 mm (44.1 in)	1700 mm (66.9 in)	1020 mm (40.2 in)	470 kg (1036 lb)

# Centring handler

Equipment designed to position the centring arches that will form the tunnels supporting arches. The possibility of rotating and tilting maximizes the precision in laying operations. The centring handler can be adjusted to adapt to the various types of arches.



## Technical data



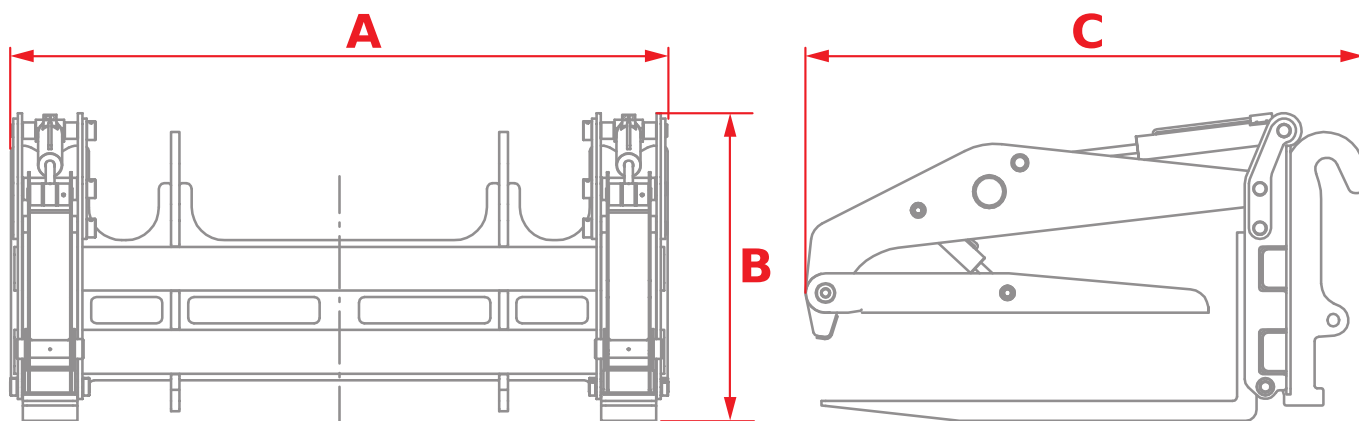
Code	A	B	C		
TGN0067	1250 mm (49,2 in)	2385 mm (93.9 in)	830 mm (32.7 in)	4000 kg (8818 lb)	795 kg (1753 lb)
TGN0076	1250 mm (49,2 in)	2385 mm (93.9 in)	830 mm (32.7 in)	4000 kg (8818 lb)	795 kg (1753 lb)
TGN0077	1250 mm (49,2 in)	2385 mm (93.9 in)	830 mm (32.7 in)	3000 kg (6614 lb)	795 kg (1753 lb)
TGN0108	1250 mm (49,2 in)	2385 mm (93.9 in)	830 mm (32.7 in)	3000 kg (6614 lb)	795 kg (1753 lb)
TGN0111	1250 mm (49,2 in)	2385 mm (93.9 in)	830 mm (32.7 in)	4000 kg (8818 lb)	750 kg (1653 lb)

## Gripper for pipe

Equipment designed to handle pipes of different lengths and sections. It is mainly used in the oil industry and environmental remediation.



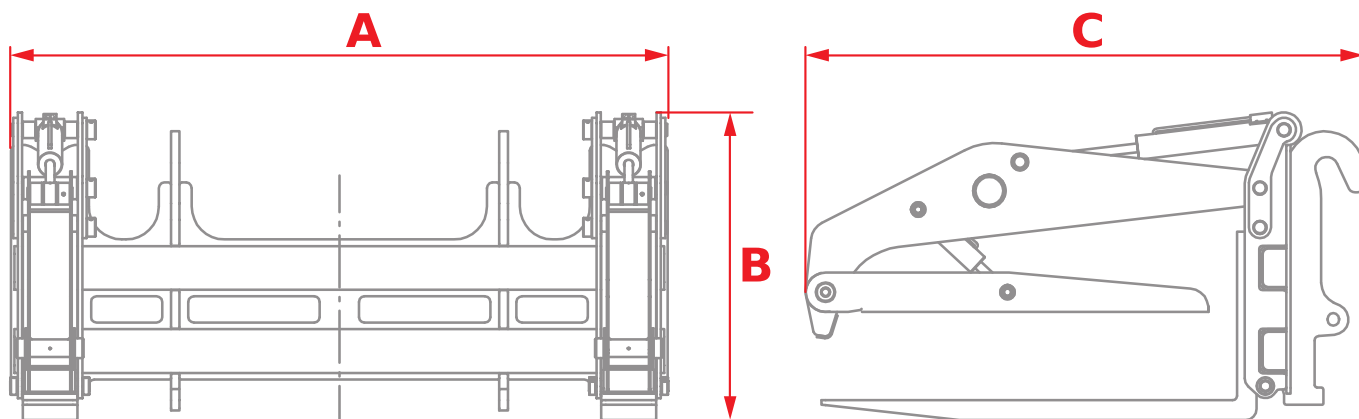
## Technical data



Code	A	B	C		
TGN0064	2996 mm (118.0 in)	1406 mm (55.4 in)	2480 mm (97.6 in)	6000 kg (13228 lb)	2370 kg (5225 lb)
TGN0065	2996 mm (118.0 in)	1406 mm (55.4 in)	2480 mm (97.6 in)	8000 kg (17637 lb)	2300 kg (5071 lb)
TGN0066	3000 mm (118.1 in)	1390 mm (54.7 in)	3084 mm (121.4 in)	5000 kg (11023 lb)	2480 kg (5467 lb)
TGN0074	3000 mm (118.1 in)	1390 mm (54.7 in)	3084 mm (121.4 in)	6000 kg (13228 lb)	2480 kg (5467 lb)
TGN0116	2996 mm (118.0 in)	1406 mm (55.4 in)	2480 mm (97.6 in)	6000 kg (13228 lb)	2370 kg (5225 lb)
TGN0117	3000 mm (118.1 in)	1390 mm (54.7 in)	3084 mm (121.4 in)	5000 kg (11023 lb)	2480 kg (5467 lb)
TGN0121	3000 mm (118.1 in)	1390 mm (54.7 in)	2565 mm (101.0 in)	8000 kg (17637 lb)	2150 kg (4740 lb)



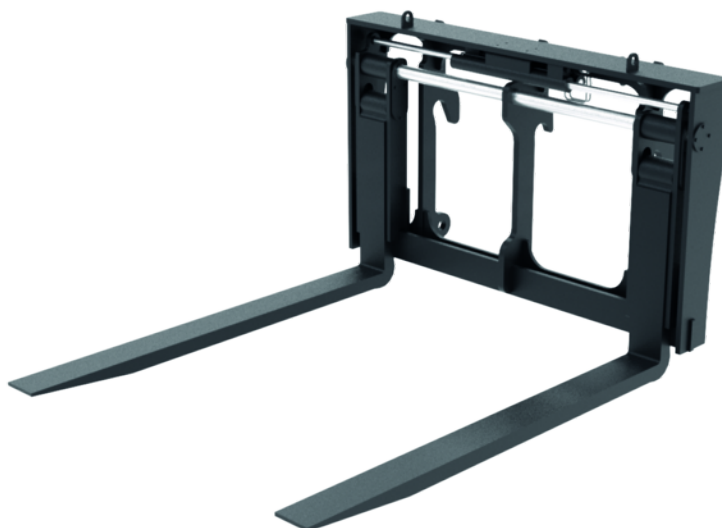
# Technical data



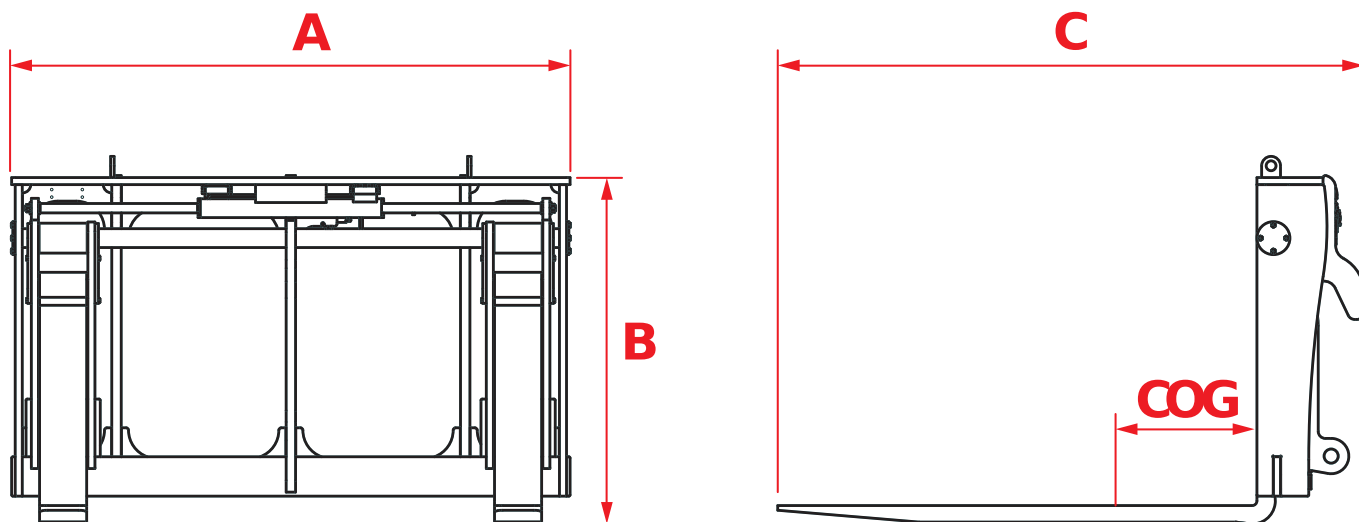
Code	<b>A</b> 	<b>B</b> 	<b>C</b> 		
TGN0122	3000 mm (118.1 in)	1390 mm (54.7 in)	2492 mm (98.1 in)	6000 kg (13228 lb)	2150 kg (4740 lb)

## Fork spreader shifting unit (for Hercules)

This equipment is used to widen, tighten and move the forks to the right or left by a hydraulic control from the cab.

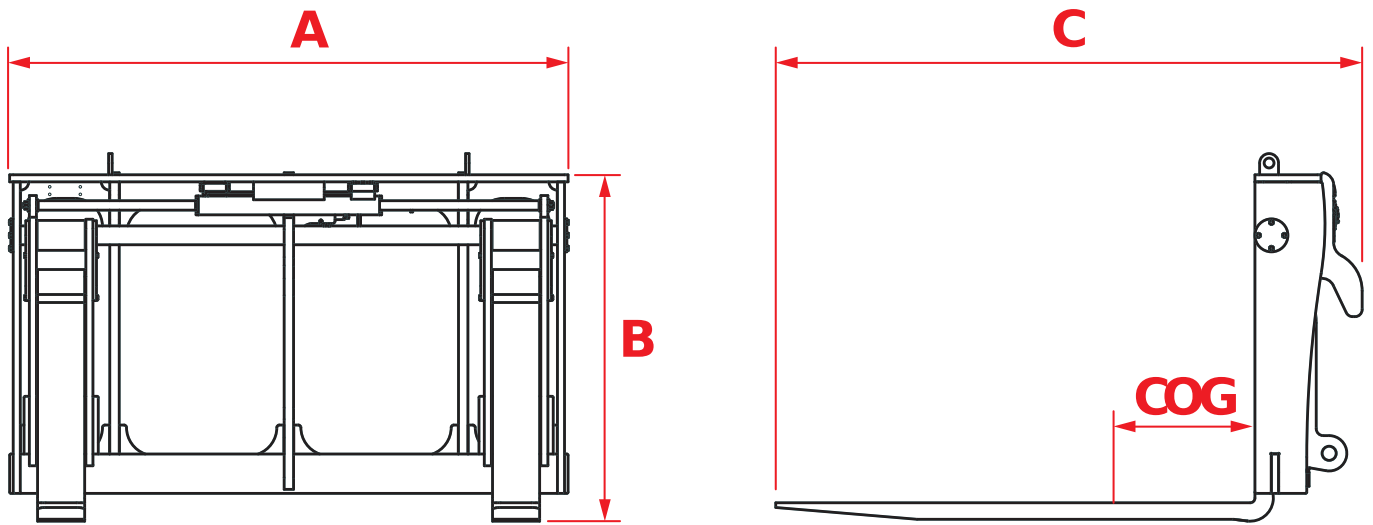


## Technical data



Code	A	B	C						
TCV0019	2370 mm (93.3 in)	1462 mm (57.6 in)	1655 mm (65.2 in)	200 mm (7.9 in)	70 mm (2.8 in)	1200 mm (47.2 in)	600 mm (23.6 in)	10000 kg (22046 lb)	1665 kg (3671 lb)
TCV0020	2370 mm (93.3 in)	1462 mm (57.6 in)	2255 mm (88.8 in)	200 mm (7.9 in)	70 mm (2.8 in)	1800 mm (70.9 in)	900 mm (35.4 in)	8150 kg (17968 lb)	1795 kg (3957 lb)
TCV0021	2370 mm (93.3 in)	1592 mm (62.7 in)	2865 mm (112.8 in)	200 mm (7.9 in)	80 mm (3.1 in)	2400 mm (94.5 in)	1200 mm (47.2 in)	8500 kg (18739 lb)	1795 kg (3957 lb)
TCV0023	2370 mm (93.3 in)	1592 mm (62.7 in)	2865 mm (112.8 in)	200 mm (7.9 in)	95 mm (3.7 in)	2400 mm (94.5 in)	1200 mm (47.2 in)	17300 kg (38140 lb)	2550 kg (5622 lb)
TCV0047	2550 mm (100.4 in)	1480 mm (58.3 in)	2300 mm (90.6 in)	200 mm (7.9 in)	105 mm (4.1 in)	1800 mm (70.9 in)	1800 mm (70.9 in)	23000 kg (50706 lb)	2000 kg (4409 lb)

# Technical data

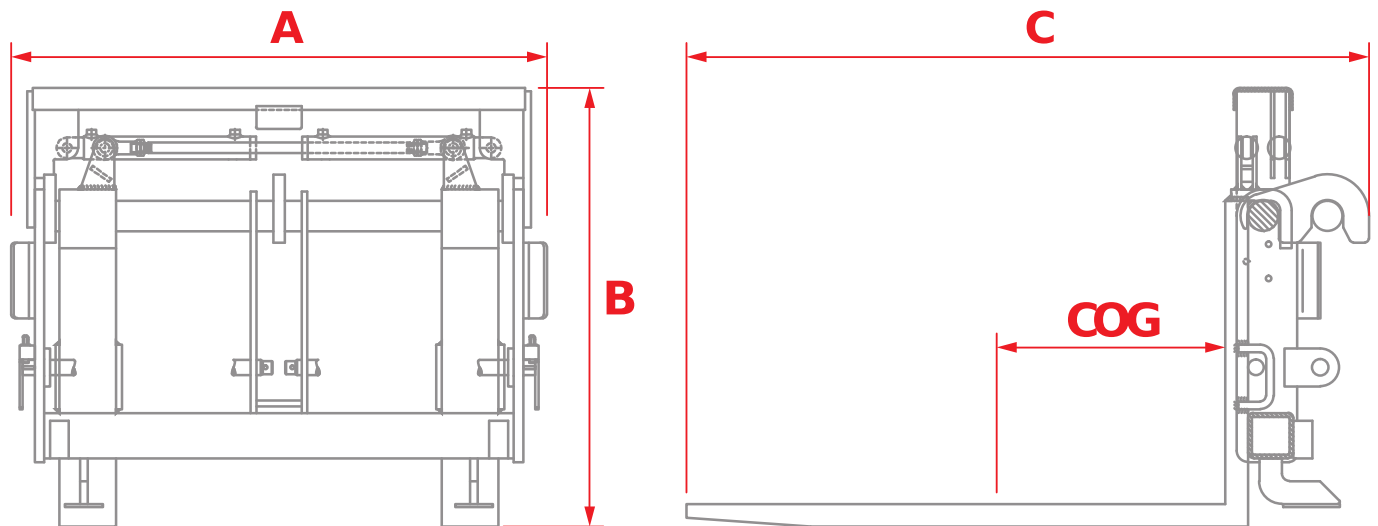


Code	A	B	C				COG		
TCV0048	2550 mm (100.4 in)	1480 mm (58.3 in)	2900 mm (114.2 in)	200 mm (7.9 in)	105 mm (4.1 in)	2400 mm (94.5 in)	900 mm (35.4 in)	23000 kg (50706 lb)	2200 kg (4850 lb)
TCV0063	2370 mm (93.3 in)	1462 mm (57.6 in)	1655 mm (65.2 in)	200 mm (7.9 in)	70 mm (2.8 in)	1200 mm (47.2 in)	600 mm (23.6 in)	10000 kg (22046 lb)	1665 kg (3671 lb)
TCV0064	2370 mm (93.3 in)	1442 mm (56.8 in)	2100 mm (82.7 in)	200 mm (7.9 in)	70 mm (2.8 in)	1800 mm (70.9 in)	600 mm (23.6 in)	13000 kg (28660 lb)	1795 kg (3957 lb)
TCV0065	2255 mm (88.8 in)	1600 mm (63.0 in)	2865 mm (112.8 in)	200 mm (7.9 in)	80 mm (3.1 in)	2400 mm (94.5 in)	2400 mm (94.5 in)	11500 kg (25353 lb)	2040 kg (4497 lb)
TCV0066	2250 mm (88.6 in)	1427 mm (56.2 in)	2895 mm (114.0 in)	200 mm (7.9 in)	95 mm (3.7 in)	2400 mm (94.5 in)	900 mm (35.4 in)	21000 kg (46297 lb)	2560 kg (5644 lb)
TCV0067	2360 mm (92.9 in)	1650 mm (65.0 in)	2280 mm (89.8 in)	200 mm (7.9 in)	95 mm (3.7 in)	1800 mm (70.9 in)	900 mm (35.4 in)	21000 kg (46297 lb)	2350 kg (5181 lb)
TCV0068	2550 mm (100.4 in)	1480 mm (58.3 in)	2330 mm (91.7 in)	200 mm (7.9 in)	105 mm (4.1 in)	1800 mm (70.9 in)	900 mm (35.4 in)	23000 kg (50706 lb)	2680 kg (5908 lb)
TCV0069	2550 mm (100.4 in)	1480 mm (58.3 in)	2930 mm (115.4 in)	200 mm (7.9 in)	105 mm (4.1 in)	2400 mm (94.5 in)	1200 mm (47.2 in)	23000 kg (50706 lb)	2820 kg (6217 lb)

# Fork spreader

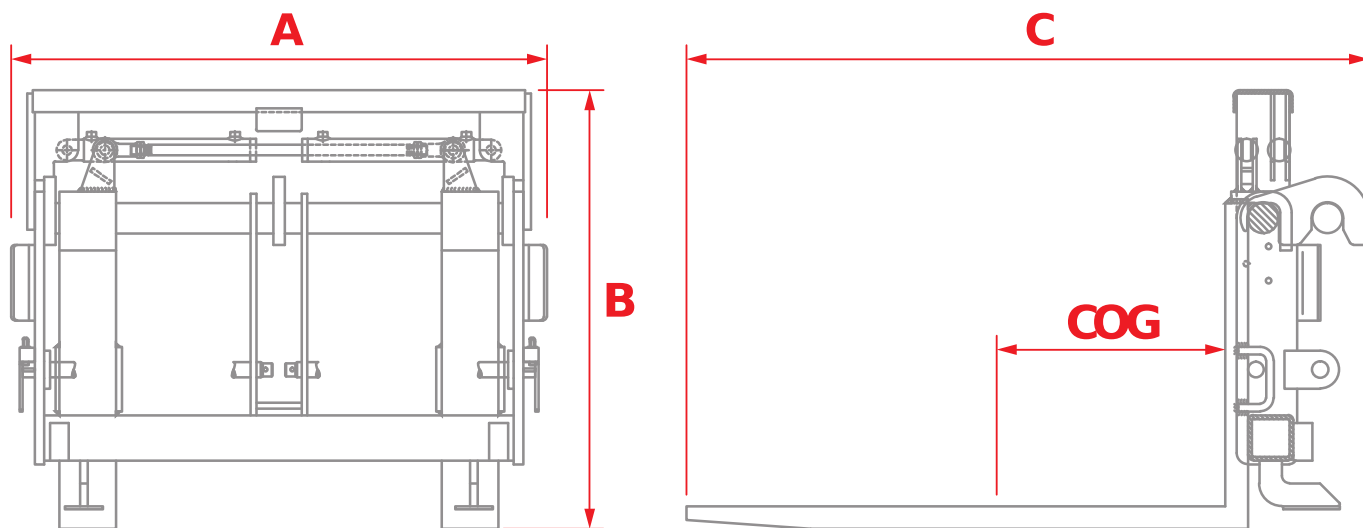


## Technical data



Code	A	B	C	C1				COG		
TCV0001	1270 mm (50.0 in)	1123 mm (44.2 in)	1473 mm (58.0 in)	-	120 mm (4.7 in)	45 mm (1.8 in)	1200 mm (47.2 in)	500 mm (19.7 in)	3800 kg (8378 lb)	360 kg (794 lb)
TCV0008	1410 mm (55.5 in)	1128 mm (44.4 in)	1500 mm (59.1 in)	-	120 mm (4.7 in)	50 mm (2.0 in)	1200 mm (47.2 in)	500 mm (19.7 in)	5000 kg (11023 lb)	405 kg (893 lb)
TCV0009	1405 mm (55.3 in)	1086 mm (42.8 in)	1400 mm (55.1 in)	-	120 mm (4.7 in)	45 mm (1.8 in)	1200 mm (47.2 in)	500 mm (19.7 in)	3800 kg (8378 lb)	500 kg (1102 lb)
TCV0012	1420 mm (55.9 in)	1150 mm (45.3 in)	1580 mm (62.2 in)	-	150 mm (5.9 in)	60 mm (2.4 in)	1200 mm (47.2 in)	600 mm (23.6 in)	7500 kg (16535 lb)	560 kg (1235 lb)
TCV0035	1420 mm (55.9 in)	1150 mm (45.3 in)	1580 mm (62.2 in)	-	150 mm (5.9 in)	60 mm (2.4 in)	1200 mm (47.2 in)	600 mm (23.6 in)	7500 kg (16535 lb)	555 kg (1224 lb)

# Technical data



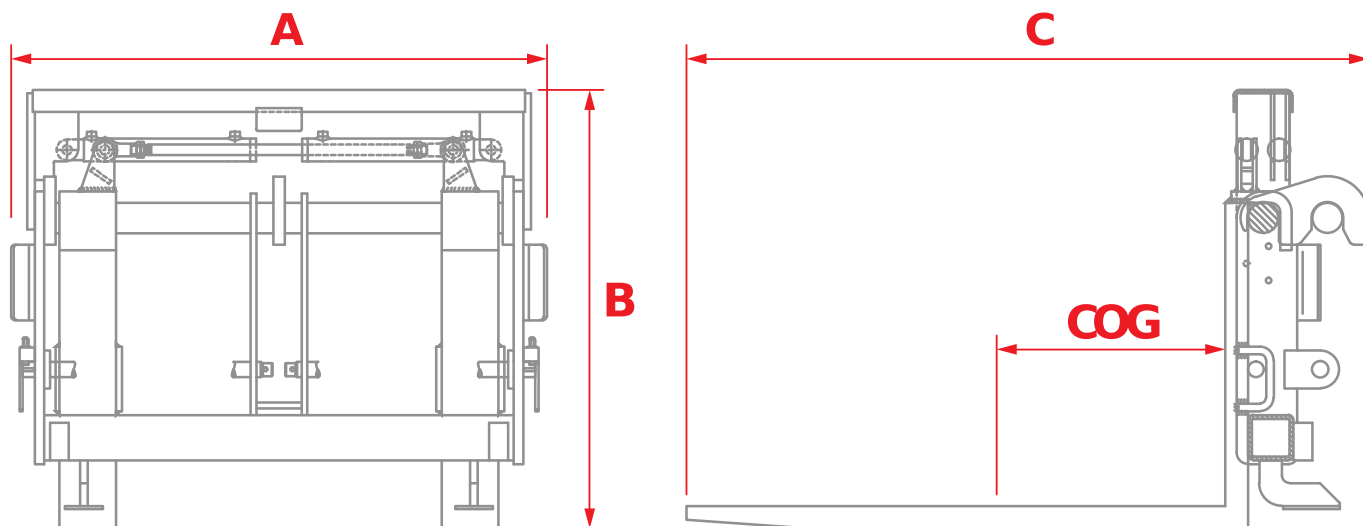
Code	A	B	C	C1				COG		
TCV0037	1420 mm (55.9 in)	1150 mm (45.3 in)	1580 mm (62.2 in)	-	150 mm (5.9 in)	60 mm (2.4 in)	1200 mm (47.2 in)	600 mm (23.6 in)	7500 kg (16535 lb)	555 kg (1224 lb)
TCV0042	1420 mm (55.9 in)	1150 mm (45.3 in)	1580 mm (62.2 in)	-	150 mm (5.9 in)	60 mm (2.4 in)	1200 mm (47.2 in)	600 mm (23.6 in)	7500 kg (16535 lb)	660 kg (1455 lb)
TCV0053	1410 mm (55.5 in)	1128 mm (44.4 in)	1500 mm (59.1 in)	-	130 mm (5.1 in)	60 mm (2.4 in)	1200 mm (47.2 in)	600 mm (23.6 in)	6000 kg (13228 lb)	450 kg (992 lb)
TCV0056	1410 mm (55.5 in)	1128 mm (44.4 in)	1500 mm (59.1 in)	-	120 mm (4.7 in)	50 mm (2.0 in)	1200 mm (47.2 in)	500 mm (19.7 in)	5000 kg (11023 lb)	405 kg (893 lb)
TCV0092	1408 mm (55.4 in)	1138 mm (44.8 in)	1513 mm (59.6 in)	1200 mm (47.2 in)	130 mm (5.1 in)	60 mm (2.4 in)	1200 mm (47.2 in)	600 mm (23.6 in)	6500 kg (14330 lb)	450 kg (992 lb)

## Forks spreader shifter

This equipment is used to widen, tighten and move the forks to the right or left by a hydraulic control from the cab.



## Technical data



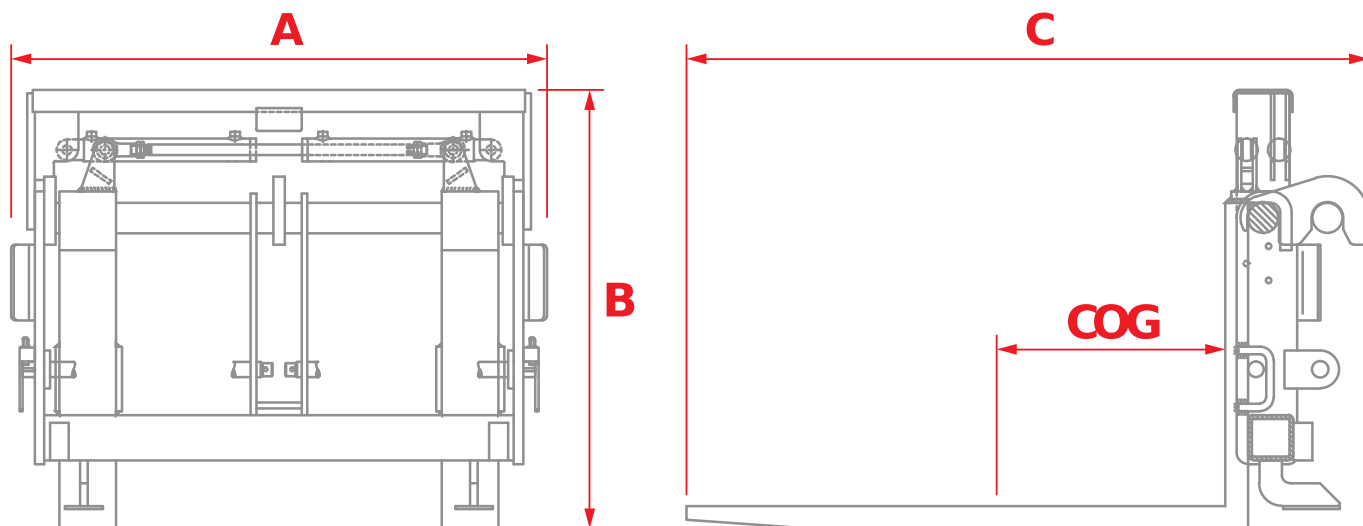
Code	A	B	C				COG		
TCV0073	1350 mm (53.1 in)	916 mm (36.1 in)	1580 mm (62.2 in)	120 mm (4.7 in)	50 mm (2.0 in)	1200 mm (47.2 in)	500 mm (19.7 in)	5000 kg (11023 lb)	540 kg (1190 lb)
TCV0074	1350 mm (53.1 in)	916 mm (36.1 in)	1580 mm (62.2 in)	120 mm (4.7 in)	50 mm (2.0 in)	1200 mm (47.2 in)	500 mm (19.7 in)	5000 kg (11023 lb)	540 kg (1190 lb)
TCV0093	1350 mm (53.1 in)	937 mm (36.9 in)	1580 mm (62.2 in)	120 mm (4.7 in)	50 mm (2.0 in)	1200 mm (47.2 in)	500 mm (19.7 in)	5000 kg (11023 lb)	555 kg (1224 lb)

## Forks shifting unit

This equipment used to move the forks to the left or right by a hydraulic control from the cab.



## Technical data



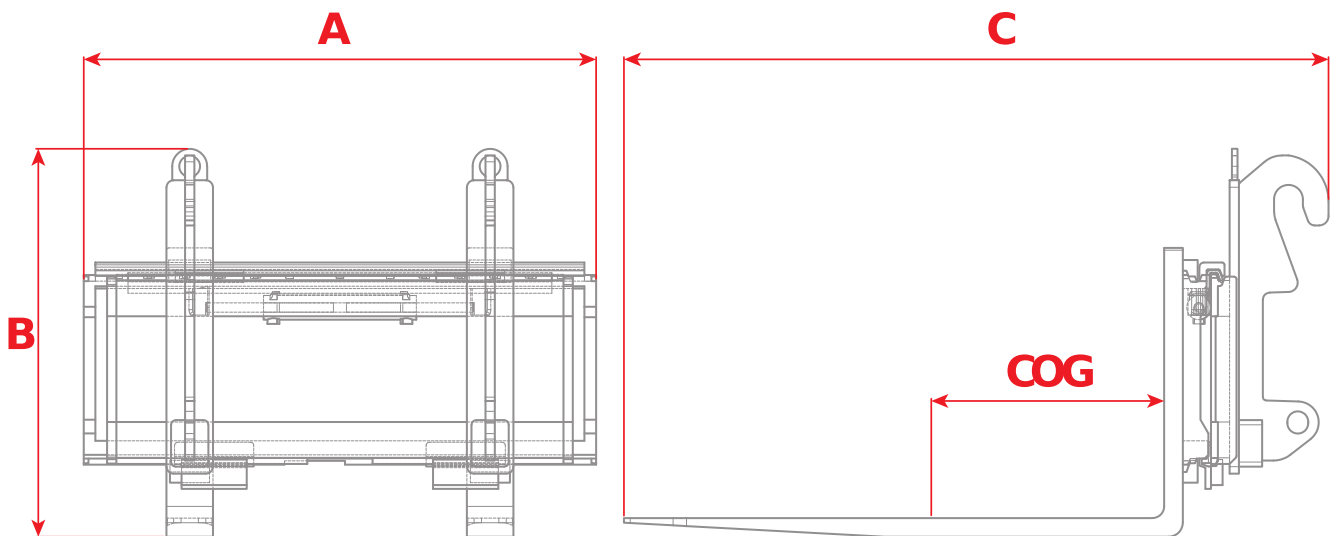
Code	A	B	C				COG		
TCV0015	1170 mm (46.1 in)	755 mm (29.7 in)	1540 mm (60.6 in)	120 mm (4.7 in)	45 mm (1.8 in)	1200 mm (47.2 in)	500 mm (19.7 in)	2600 kg (5732 lb)	360 kg (794 lb)
TCV0016	1470 mm (57.9 in)	755 mm (29.7 in)	1540 mm (60.6 in)	120 mm (4.7 in)	45 mm (1.8 in)	1200 mm (47.2 in)	500 mm (19.7 in)	2500 kg (5512 lb)	350 kg (772 lb)
TCV0060	1170 mm (46.1 in)	815 mm (32.1 in)	1540 mm (60.6 in)	100 mm (3.9 in)	40 mm (1.6 in)	1200 mm (47.2 in)	500 mm (19.7 in)	2500 kg (5512 lb)	300 kg (661 lb)
TCV0082	1440 mm (56.7 in)	950 mm (37.4 in)	1600 mm (63.0 in)	120 mm (4.7 in)	50 mm (2.0 in)	1200 mm (47.2 in)	500 mm (19.7 in)	5000 kg (11023 lb)	510 kg (1124 lb)
TCV0083	1440 mm (56.7 in)	950 mm (37.4 in)	1600 mm (63.0 in)	120 mm (4.7 in)	50 mm (2.0 in)	1200 mm (47.2 in)	500 mm (19.7 in)	5000 kg (11023 lb)	550 kg (1213 lb)

## FEM forks shifting unit

This equipment used to move the forks to the left or right by a hydraulic control from the cab.



## Technical data



Code	A	B	C				COG		
TCV0062	1100 mm (43.3 in)	833 mm (32.8 in)	1515 mm (59.6 in)	100 mm (3.9 in)	40 mm (1.6 in)	1200 mm (47.2 in)	1160 mm (45.7 in)	2500 kg (5512 lb)	270 kg (595 lb)

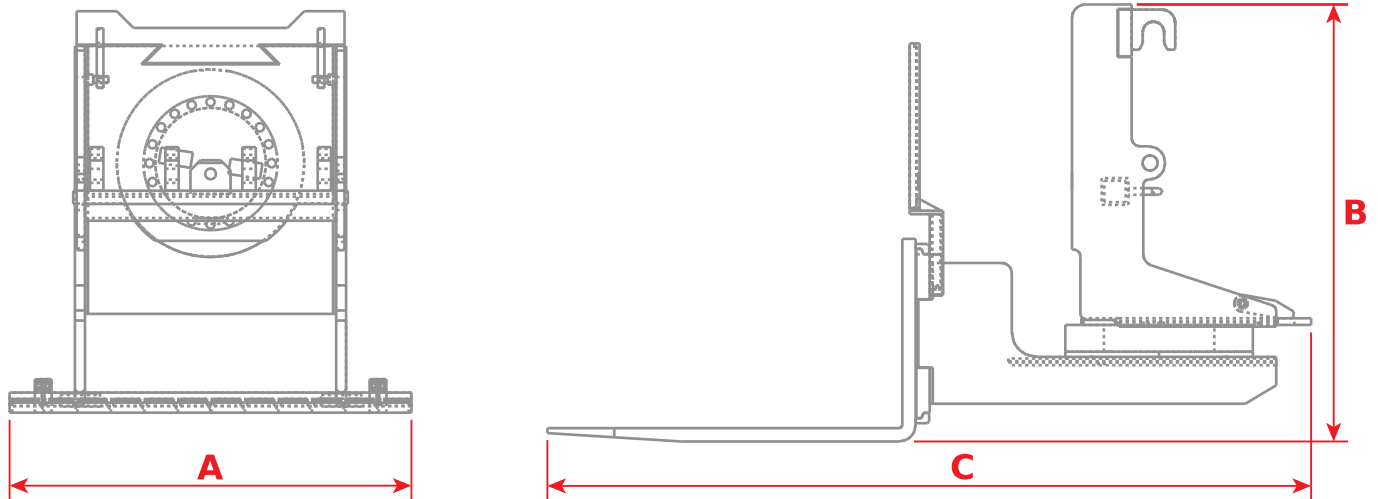


## Rotating counterplate with forks

The rotating counter-plate including forks ensures maximum flexibility of use, its 360° continuous rotation will allow to unload and load the material in any position.



## Technical data



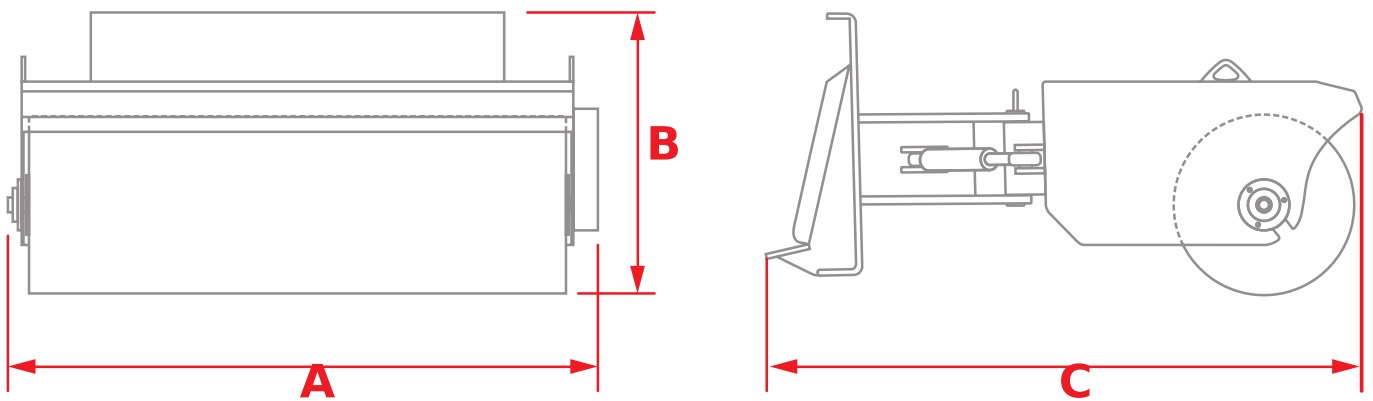
Code	A	B	C	C1				COG		
TCV0045	1200 mm (47.2 in)	1217 mm (47.9 in)	2275 mm (89.6 in)	-	120 mm (4.7 in)	50 mm (2.0 in)	1200 mm (47.2 in)	500 mm (19.7 in)	2500 kg (5512 lb)	800 kg (1764 lb)
TCV0055	1220 mm (48.0 in)	1323 mm (52.1 in)	2352 mm (92.6 in)	1200 mm (47.2 in)	120 mm (4.7 in)	50 mm (2.0 in)	1200 mm (47.2 in)	500 mm (19.7 in)	2500 kg (5512 lb)	895 kg (1973 lb)

## Angled sweeper

The angled sweeper can be used for cleaning construction sites, roads, large court areas or thanks to the mechanical angle system as a snowplow in case of light snow.



## Technical data



Code	A	B	C	
TGN0041	2280 mm (89.8 in)	762 mm (30.0 in)	1272 mm (50.1 in)	540 kg (1190 lb)

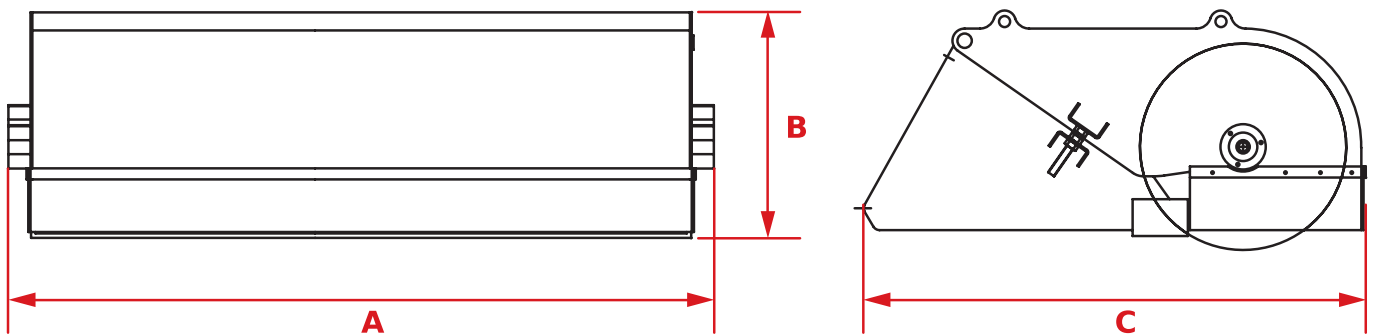
## Sweeper box with collection

The sweeper box with collection can be used, thanks to its polypropylene brushes, for cleaning construction sites, roads, large areas of courts.

The use of the cutting edge makes it particularly suitable for scraping and collecting mud and debris from the ground.



## Technical data



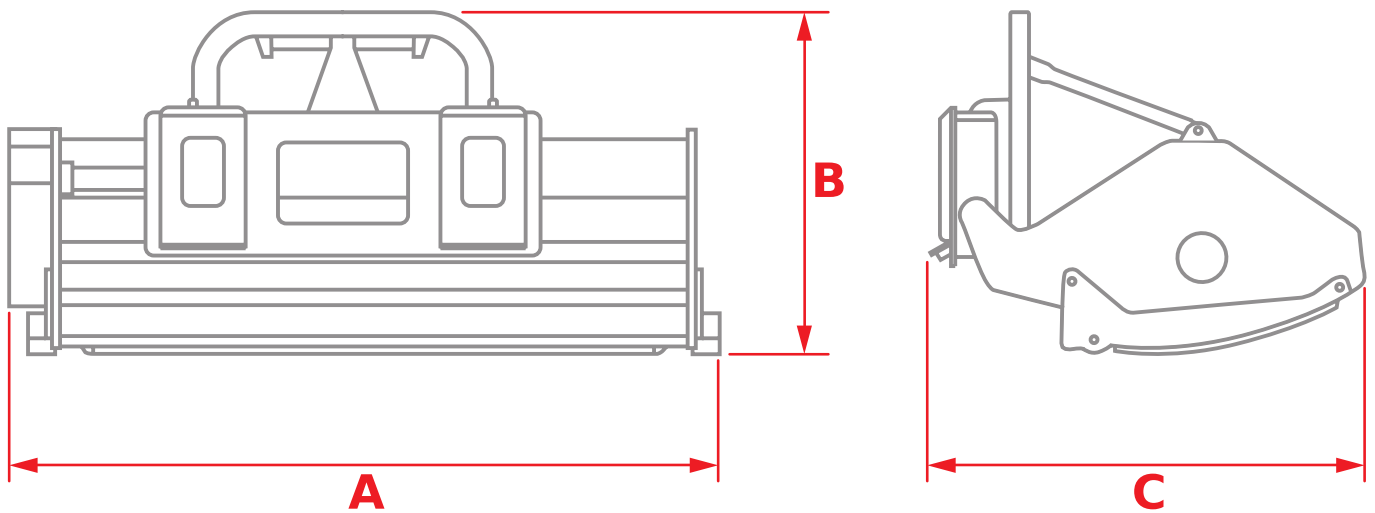
Code	A	B	C	
TGN0042	2220 mm (87.4 in)	612 mm (24.1 in)	1363 mm (53.7 in)	685 kg (1510 lb)

## Front shredder

This equipment stands out for its versatility of use, it is suitable for cutting grass, for cutting small shoots in vineyards or orchards and for cleaning the undergrowth.



## Technical data



Code	<b>A</b> 	<b>B</b> 	<b>C</b> 	
TGN0053	2100 mm (82.7 in)	890 mm (35.0 in)	1080 mm (42.5 in)	530 kg (1168 lb)

## Two-stage turbine snow blower

This equipment has been designed for the removing large quantities of snow. The adoption of a hydraulic piston motor with torque limiter prevents the possibility of breakage due to accidental inlet of objects hidden in the snow.

The notched ice-breaking propellers minimize wear caused by gravel and stones mixed with snow. The snow exit duct is equipped with mechanically adjustable flaps.



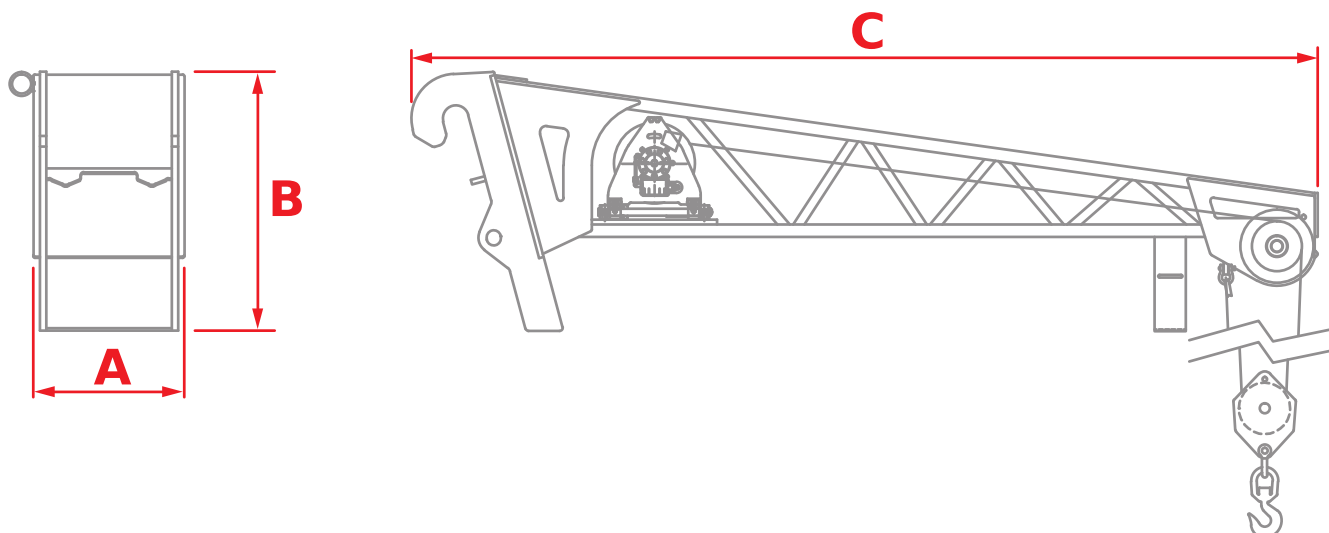
## Crane extension with winch

This equipment has been designed for lifting, transport and positioning suspended loads. The jib crane structure helps to contain the weight of the equipment while maintaining excellent rigidity.

The block is equipped with a 360° swivel hook with locking tab.

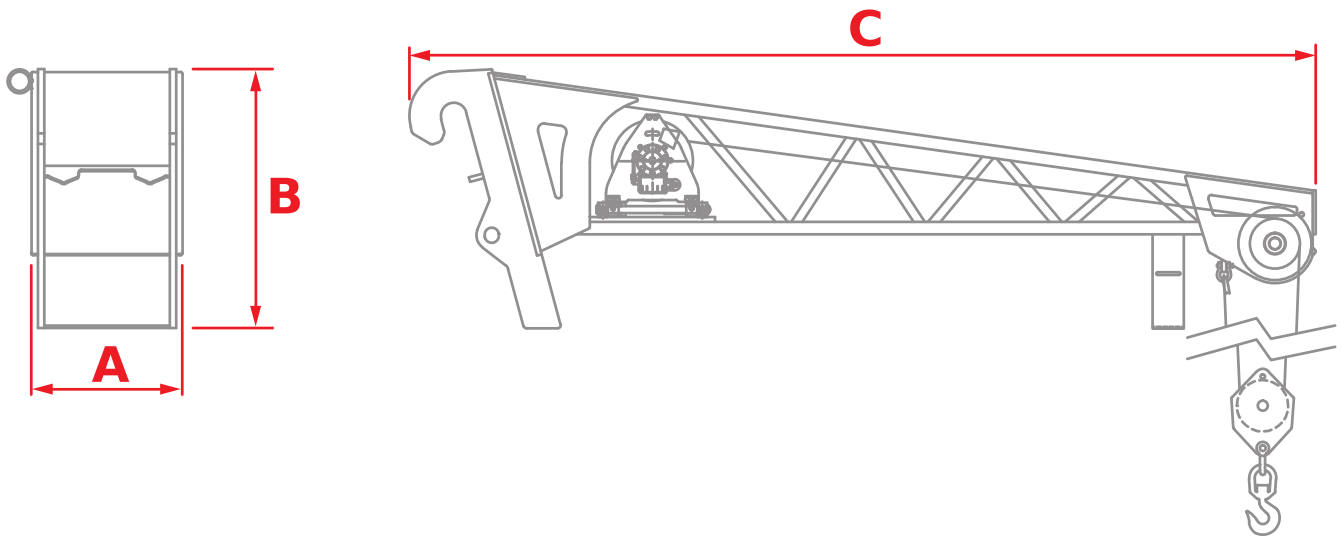


## Technical data



Code	A	B	C			
TSL0001	1120 mm (44.1 in)	955 mm (37.6 in)	1634 mm (64.3 in)	DOUBLE	1200 kg (2646 lb)	345 kg (761 lb)
TSL0003	556 mm (21,9 in)	825 mm (32,5 in)	2569 mm (101,1 in)	DOUBLE	1200 kg (2646 lb)	350 kg (772 lb)
TSL0008	626 mm (24,6 in)	917 mm (36,1 in)	4975 mm (195,9 in)	DOUBLE	600 kg (1323 lb)	360 kg (794 lb)
TSL0011	640 mm (25,2 in)	900 mm (35.4 in)	1750 mm (68,9 in)	DOUBLE	2000 kg (4409 lb)	285 kg (628 lb)
TSL0013	556 mm (21,9 in)	825 mm (32,5 in)	2850 mm (112.2 in)	DOUBLE	1200 kg (2646 lb)	350 kg (772 lb)
TSL0031	640 mm (25,2 in)	900 mm (35.4 in)	1750 mm (68,9 in)	DOUBLE	2000 kg (4409 lb)	285 kg (628 lb)

# Technical data



Code	A	B	C			
TSL0033	556 mm (21,9 in)	825 mm (32,5 in)	2569 mm (101,1 in)	DOUBLE	1200 kg (2646 lb)	315 kg (694 lb)
TSL0035	720 mm (28.3 in)	1000 mm (39.4 in)	5050 mm (198,8 in)	DOUBLE	600 kg (1323 lb)	415 kg (915 lb)
TSL0041	776 mm (30.6 in)	825 mm (32,5 in)	2824 mm (111.2 in)	DOUBLE	1100 kg (2425 lb)	250 kg (551 lb)
TSL0060	556 mm (21,9 in)	825 mm (32,5 in)	2850 mm (112.2 in)	DOUBLE	1200 kg (2646 lb)	350 kg (772 lb)
TSL0078	1120 mm (44.1 in)	955 mm (37.6 in)	1634 mm (64.3 in)	DOUBLE	1200 kg (2646 lb)	350 kg (772 lb)
TSL0079	556 mm (21,9 in)	825 mm (32,5 in)	2569 mm (101,1 in)	DOUBLE	1200 kg (2646 lb)	350 kg (772 lb)
TSL0085	1352 mm (53.2 in)	957 mm (37.7 in)	1668 mm (65.7 in)	DOUBLE	1200 kg (2646 lb)	350 kg (772 lb)
TSL0086	1345 mm (53.0 in)	957 mm (37.7 in)	2872 mm (113.1 in)	DOUBLE	1200 kg (2646 lb)	350 kg (772 lb)
TSL0143	1120 mm (44.1 in)	955 mm (37.6 in)	1634 mm (64.3 in)	DOUBLE	2000 kg (4409 lb)	345 kg (761 lb)
TSL0144	1120 mm (44.1 in)	955 mm (37.6 in)	2837 mm (111.7 in)	DOUBLE	1200 kg (2646 lb)	385 kg (849 lb)
TSL0145	1120 mm (44.1 in)	955 mm (37.6 in)	4996 mm (196,7 in)	SINGLE	600 kg (1323 lb)	460 kg (1014 lb)
TSL0147	1120 mm (44.1 in)	955 mm (37.6 in)	1634 mm (64.3 in)	DOUBLE	2000 kg (4409 lb)	355 kg (783 lb)
TSL0148	1120 mm (44.1 in)	955 mm (37.6 in)	2837 mm (111.7 in)	DOUBLE	1200 kg (2646 lb)	285 kg (628 lb)
TSL0150	1120 mm (44.1 in)	955 mm (37.6 in)	4996 mm (196,7 in)	Single	600 kg (1323 lb)	460 kg (1014 lb)
TSL0159	700 mm (27.6 in)	831 mm (32.7 in)	2822 mm (111.1 in)	DOUBLE	1200 kg (2646 lb)	250 kg (551 lb)

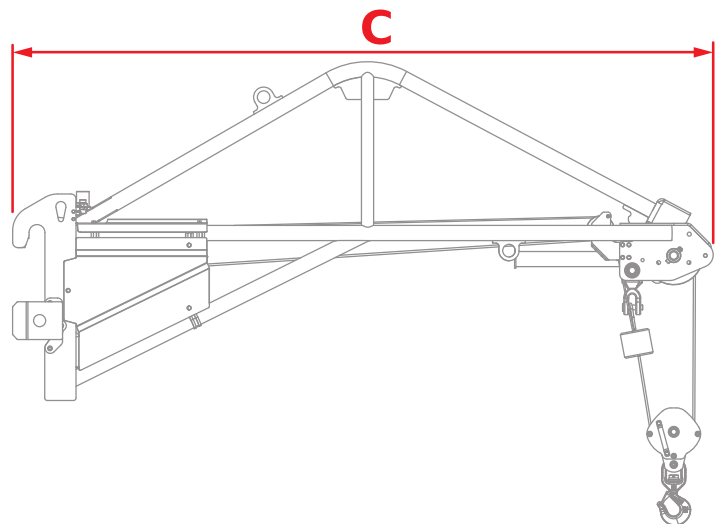
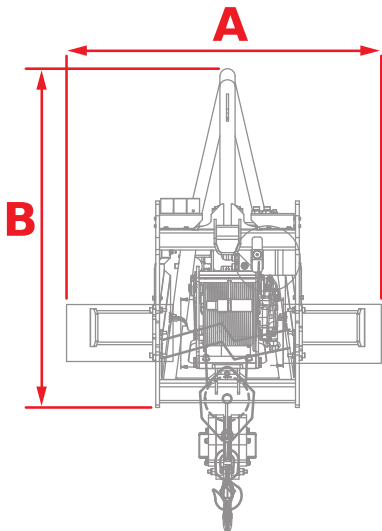
## Gooseneck crane extension with winch

This equipment has been designed for lifting, transport and positioning suspended loads. The gooseneck tubular structure helps to contain the weight of the equipment while maintaining excellent rigidity.

The block is equipped with a 360° swivel hook with locking tab.



## Technical data



Code	A	B	C			
TSL0071	550 mm (21.7 in)	1200 mm (47.2 in)	3000 mm (118.1 in)	DOUBLE	1500 kg (3307 lb)	430 kg (948 lb)
TSL0146	1120 mm (44.1 in)	955 mm (37.6 in)	2972 mm (117,0 in)	Single	1500 kg (3307 lb)	430 kg (948 lb)
TSL0149	1120 mm (44.1 in)	1021 mm (40,2 in)	2972 mm (117,0 in)	Single	1500 kg (3307 lb)	460 kg (1014 lb)
TSL0163	590 mm (23.2 in)	1345 mm (53.0 in)	5000 mm (196.9 in)	SIMPLE	600 kg (1323 lb)	315 kg (694 lb)
TSL0165	1090 mm (42.9 in)	1345 mm (53.0 in)	2781 mm (109.5 in)	DOUBLE	2000 kg (4409 lb)	325 kg (717 lb)
TSL0167	1090 mm (42.9 in)	1345 mm (53.0 in)	3831 mm (150.8 in)	DOUBLE	1200 kg (2646 lb)	350 kg (772 lb)

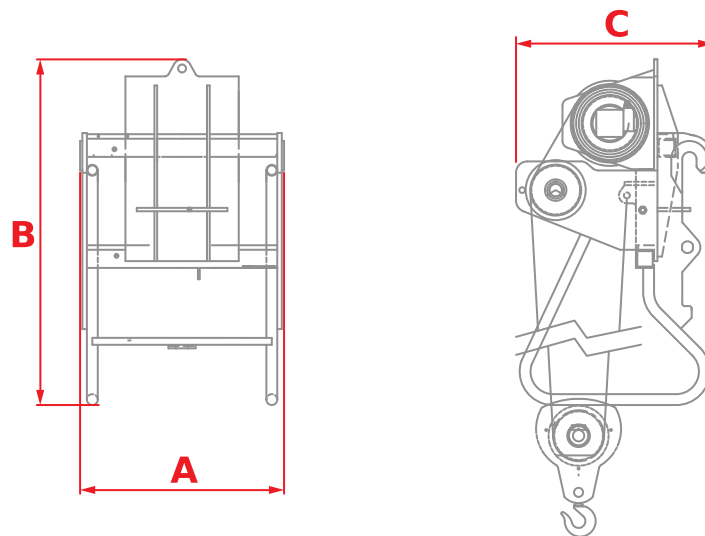


## Winch for forks holding plate

This equipment has been designed for lifting, transport and positioning suspended loads. The block is equipped with a 360° swivel hook with locking tab.

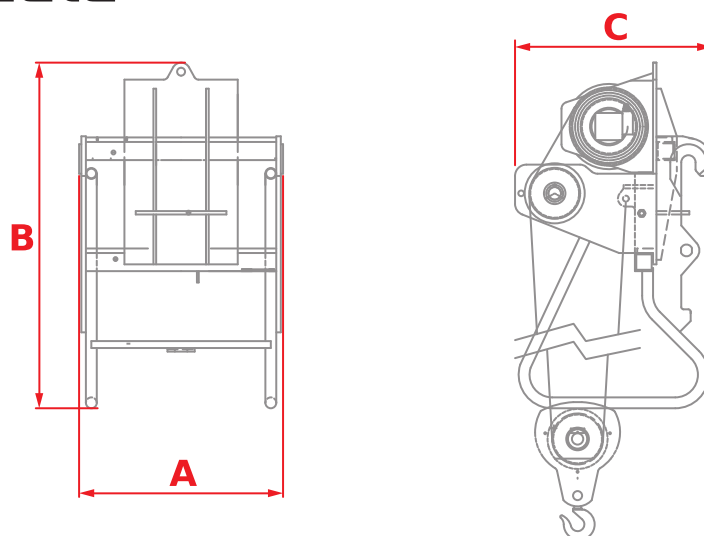


## Technical data



Code	A	B	C			
TSL0010	900 mm (35.4 in)	1525 mm (60.0 in)	855 mm (33.7 in)	Double, with rope guide	4000 kg (8818 lb)	490 kg (1080 lb)
TSL0016	900 mm (35.4 in)	1525 mm (60.0 in)	855 mm (33.7 in)	Double, with rope guide	4000 kg (8818 lb)	490 kg (1080 lb)
TSL0017	900 mm (35.4 in)	1525 mm (60.0 in)	845 mm (33.3 in)	Double, with rope guide	5000 kg (11023 lb)	490 kg (1080 lb)
TSL0030	890 mm (35.0 in)	1540 mm (60.6 in)	1100 mm (43.3 in)	Double, with rope guide	4000 kg (8818 lb)	490 kg (1080 lb)
TSL0070	900 mm (35.4 in)	1525 mm (60.0 in)	845 mm (33.3 in)	Double, with rope guide	5000 kg (11023 lb)	490 kg (1080 lb)
TSL0088	1250 mm (49.2 in)	1595 mm (62.8 in)	1000 mm (39.4 in)	Double, with rope guide	4000 kg (8818 lb)	455 kg (1003 lb)
TSL0089	1120 mm (44.1 in)	1595 mm (62.8 in)	1000 mm (39.4 in)	Double, with rope guide	5000 kg (11023 lb)	455 kg (1003 lb)

# Technical data



Code	A	B	C			
TSL0092	1302 mm (51.3 in)	1790 mm (70,5 in)	1927 mm (75.9 in)	Double, with rope guide	12000 kg (26455 lb)	1490 kg (3285 lb)
TSL0127	1790 mm (70,5 in)	1920 mm (75.6 in)	1300 mm (51,2 in)	Double, with rope guide	8000 kg (17637 lb)	1050 kg (2315 lb)
TSL0130	1790 mm (70,5 in)	1920 mm (75.6 in)	1300 mm (51,2 in)	Double, with rope guide	8000 kg (17637 lb)	1070 kg (2359 lb)
TSL0131	1790 mm (70,5 in)	1920 mm (75.6 in)	1300 mm (51,2 in)	Double, with rope guide	12000 kg (26455 lb)	1150 kg (2535 lb)
TSL0140	900 mm (35.4 in)	1560 mm (61.4 in)	1000 mm (39.4 in)	Double, with rope guide	5000 kg (11023 lb)	455 kg (1003 lb)
TSL0141	1120 mm (44.1 in)	1594 mm (62.8 in)	1018 mm (40,1 in)	DOUBLE	4000 kg (8818 lb)	450 kg (992 lb)
TSL0152	1120 mm (44.1 in)	1594 mm (62.8 in)	1018 mm (40,1 in)	DOUBLE	4000 kg (8818 lb)	450 kg (992 lb)
TSL0153	1120 mm (44.1 in)	1594 mm (62.8 in)	1018 mm (40,1 in)	DOUBLE	5000 kg (11023 lb)	490 kg (1080 lb)
TSL0169	1006 mm (39.6 in)	1155 mm (45.5 in)	1036 mm (40.8 in)	DOUBLE	6000 kg (13228 lb)	600 kg (1323 lb)
TSL0175	1120 mm (44.1 in)	1594 mm (62.8 in)	1022 mm (40.2 in)	DOUBLE	5000 kg (11023 lb)	465 kg (1025 lb)
TSL0176	1120 mm (44.1 in)	1600 mm (63.0 in)	1020 mm (40.2 in)	DOUBLE	4000 kg (8818 lb)	430 kg (948 lb)
TSL0177	-	-	-	-	-	-

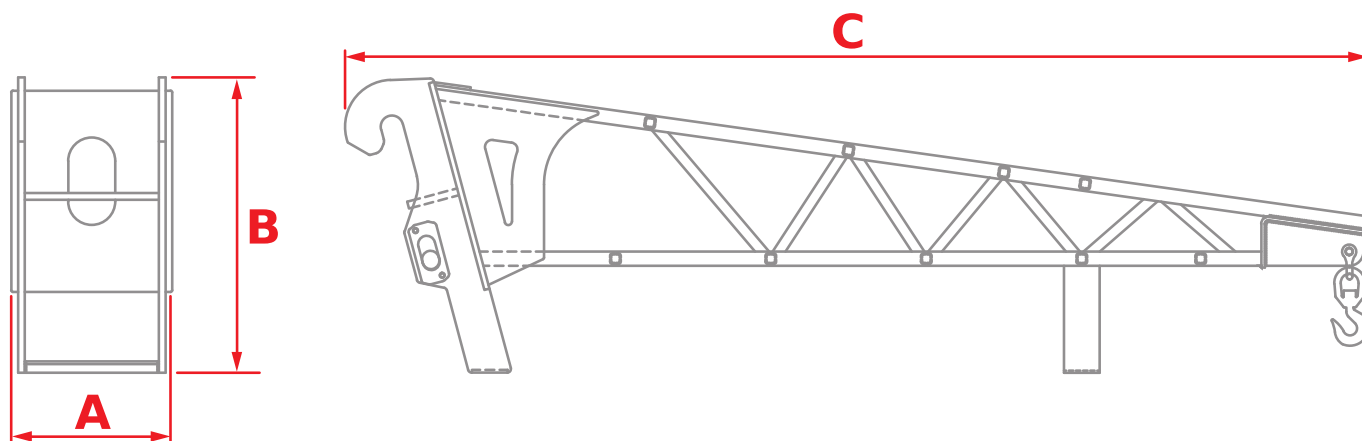
## Crane extension with hook

This equipment has been designed for lifting, transport and positioning suspended loads. The jib crane structure helps to contain the weight of the equipment while maintaining excellent rigidity.

The 360° swivel hook with locking tab and the standard load limiter ensure maximum safety.

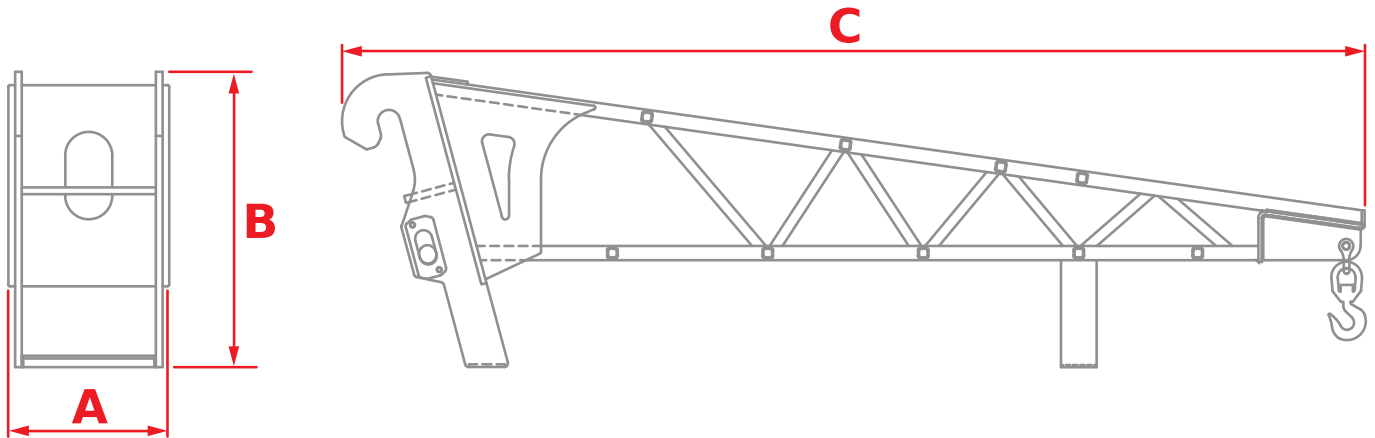


## Technical data



Code	A	B	C		
TSL0002	650 mm (25.6 in)	870 mm (34.3 in)	1500 mm (59.1 in)	2000 kg (4409 lb)	160 kg (353 lb)
TSL0004	640 mm (25.2 in)	870 mm (34.3 in)	2850 mm (112.2 in)	1200 kg (2646 lb)	185 kg (408 lb)
TSL0009	730 mm (28.7 in)	950 mm (37.4 in)	5000 mm (196.9 in)	600 kg (1323 lb)	345 kg (761 lb)
TSL0012	480 mm (18.9 in)	825 mm (32.5 in)	1648 mm (64.9 in)	2000 kg (4409 lb)	150 kg (331 lb)
TSL0014	480 mm (18.9 in)	825 mm (32.5 in)	2848 mm (112.1 in)	1200 kg (2646 lb)	165 kg (364 lb)
TSL0032	640 mm (25.2 in)	850 mm (33.5 in)	1650 mm (65.0 in)	2000 kg (4409 lb)	145 kg (320 lb)

# Technical data



Code	A	B	C		
TSL0034	640 mm (25,2 in)	870 mm (34.3 in)	2850 mm (112.2 in)	1200 kg (2646 lb)	170 kg (375 lb)
TSL0036	730 mm (28.7 in)	950 mm (37.4 in)	5000 mm (196.9 in)	600 kg (1323 lb)	255 kg (562 lb)
TSL0042	700 mm (27.6 in)	864 mm (34.0 in)	2821 mm (111.1 in)	1100 kg (2425 lb)	185 kg (408 lb)
TSL0075	650 mm (25.6 in)	870 mm (34.3 in)	1500 mm (59.1 in)	2000 kg (4409 lb)	160 kg (353 lb)
TSL0076	640 mm (25,2 in)	870 mm (34.3 in)	2850 mm (112.2 in)	1200 kg (2646 lb)	185 kg (408 lb)
TSL0081	660 mm (26.0 in)	957 mm (37.7 in)	1660 mm (65.4 in)	1300 kg (2866 lb)	190 kg (419 lb)
TSL0082	415 mm (16.3 in)	957 mm (37.7 in)	2869 mm (113.0 in)	1200 kg (2646 lb)	230 kg (507 lb)
TSL0094	650 mm (25.6 in)	870 mm (34.3 in)	1500 mm (59.1 in)	2000 kg (4409 lb)	185 kg (408 lb)
TSL0095	640 mm (25,2 in)	870 mm (34.3 in)	2850 mm (112.2 in)	1200 kg (2646 lb)	230 kg (507 lb)
TSL0096	730 mm (28.7 in)	950 mm (37.4 in)	5000 mm (196.9 in)	600 kg (1323 lb)	260 kg (573 lb)
TSL0108	1120 mm (44.1 in)	955 mm (37.6 in)	1624 mm (63.9 in)	2000 kg (4409 lb)	185 kg (408 lb)
TSL0110	1120 mm (44.1 in)	960 mm (37.8 in)	2850 mm (112.2 in)	1200 kg (2646 lb)	220 kg (485 lb)
TSL0112	1120 mm (44.1 in)	955 mm (37.6 in)	4987 mm (196.3 in)	600 kg (1323 lb)	340 kg (750 lb)
TSL0160	700 mm (27.6 in)	864 mm (34.0 in)	2821 mm (111.1 in)	1200 kg (2646 lb)	180 kg (397 lb)

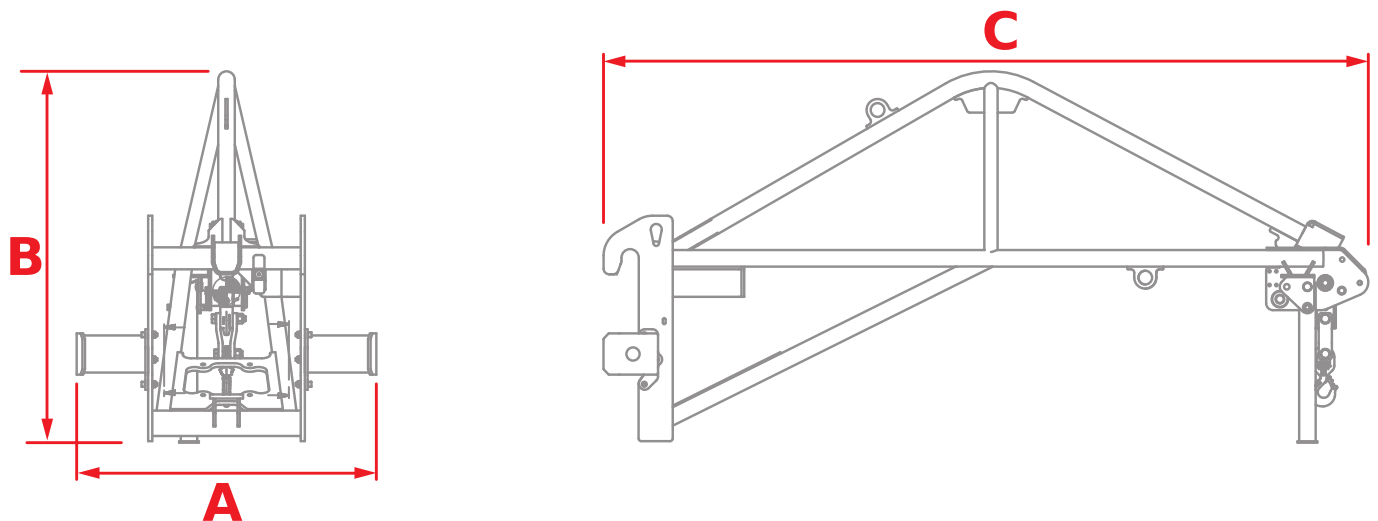
## Gooseneck crane extension with hook

This equipment has been designed for lifting, transport and positioning suspended loads. The gooseneck tubular structure helps to contain the weight of the equipment while maintaining excellent rigidity.

The 360° swivel hook with locking tab and the standard load limiter ensure maximum safety.

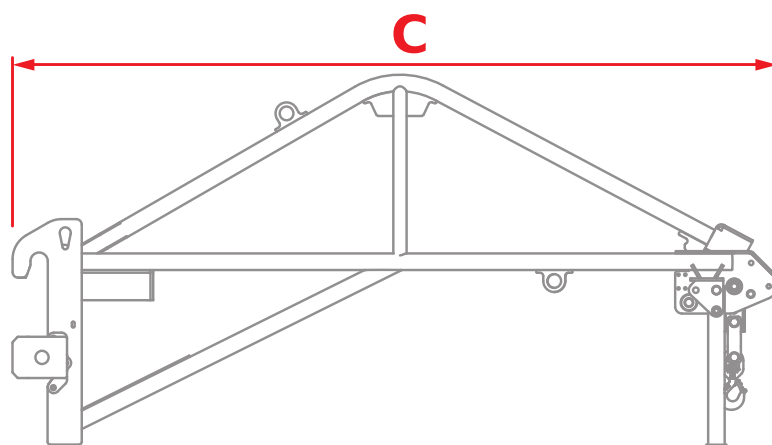
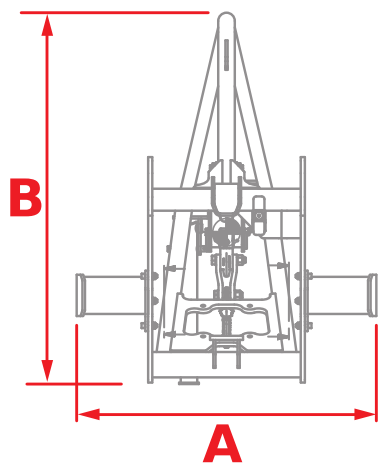


## Technical data



Code	A	B	C		
TSL0064	1550 mm (61.0 in)	1170 mm (46.1 in)	2965 mm (116.7 in)	4000 kg (8818 lb)	890 kg (1962 lb)
TSL0065	1150 mm (45.3 in)	1550 mm (61.0 in)	2965 mm (116.7 in)	6000 kg (13228 lb)	915 kg (2017 lb)
TSL0090	980 mm (38.6 in)	1170 mm (46.1 in)	2965 mm (116.7 in)	1200 kg (2646 lb)	890 kg (1962 lb)
TSL0125	980 mm (38.6 in)	1170 mm (46.1 in)	2965 mm (116.7 in)	600 kg (1323 lb)	900 kg (1984 lb)
TSL0164	590 mm (23.2 in)	1345 mm (53.0 in)	5000 mm (196.9 in)	600 kg (1323 lb)	190 kg (419 lb)
TSL0166	590 mm (23.2 in)	1345 mm (53.0 in)	2781 mm (109.5 in)	2000 kg (4409 lb)	146 kg (322 lb)

# Technical data



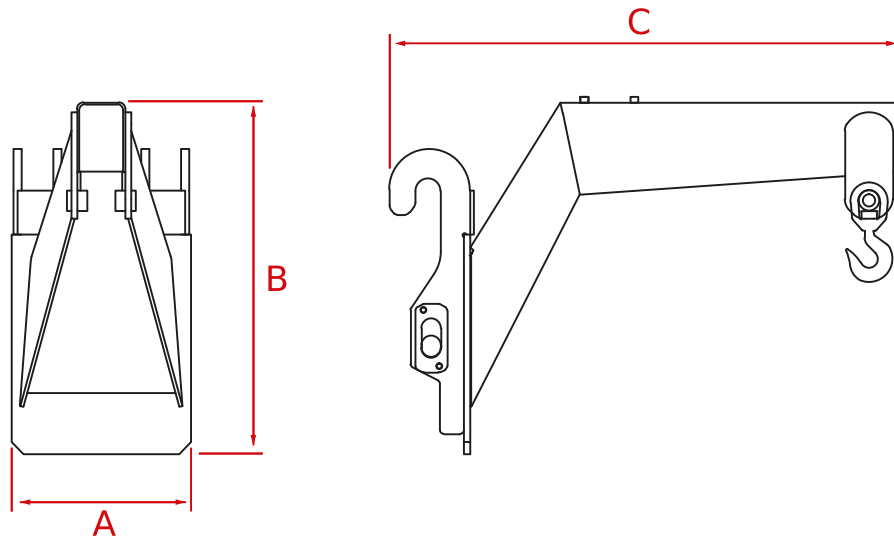
Code	A	B	C		
TSL0168	590 mm (23.2 in)	1345 mm (53.0 in)	3832 mm (150.9 in)	1200 kg (2646 lb)	166 kg (366 lb)

## Jib with hook

This equipment has been designed to handle heavy and cantilever loads. Equipped with 360° rotating hook and load limiter, it is particularly suitable for the nursery sector.

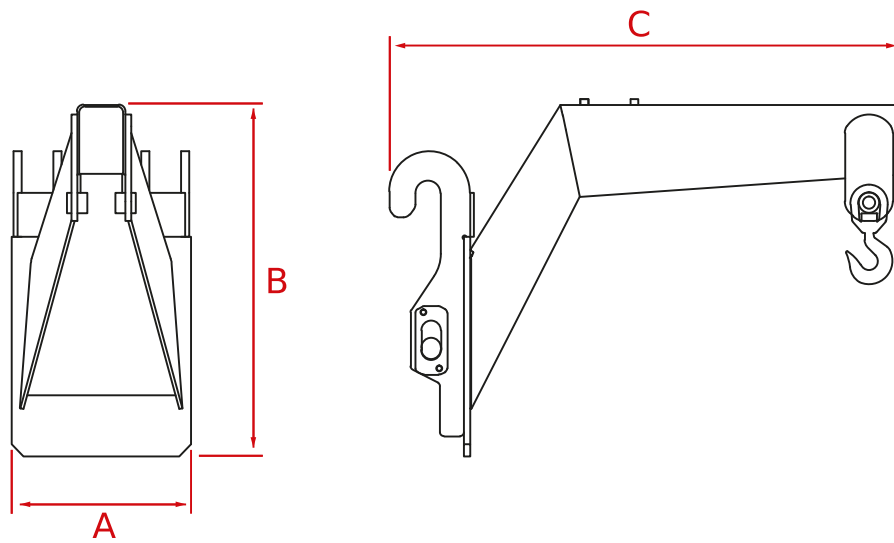


## Technical data



Code	A	B	C		
TSL0006	460 mm (18.1 in)	700 mm (27.6 in)	1320 mm (52.0 in)	2500 kg (5512 lb)	140 kg (309 lb)
TSL0018	450 mm (17.7 in)	930 mm (36.6 in)	1297 mm (51.1 in)	3000 kg (6614 lb)	160 kg (353 lb)
TSL0020	481 mm (18.9 in)	880 mm (34.6 in)	1697 mm (66.8 in)	3000 kg (6614 lb)	180 kg (397 lb)
TSL0038	460 mm (18.1 in)	700 mm (27.6 in)	1320 mm (52.0 in)	2500 kg (5512 lb)	165 kg (364 lb)
TSL0043	700 mm (27.6 in)	798 mm (31.4 in)	1301 mm (51.2 in)	2000 kg (4409 lb)	140 kg (309 lb)
TSL0077	460 mm (18.1 in)	880 mm (34.6 in)	1290 mm (50.8 in)	3000 kg (6614 lb)	160 kg (353 lb)
TSL0083	450 mm (17.7 in)	880 mm (34.6 in)	1320 mm (52.0 in)	3000 kg (6614 lb)	235 kg (518 lb)

# Technical data



Code	A	B	C		
TSL0084	481 mm (18.9 in)	880 mm (34.6 in)	1697 mm (66.8 in)	3000 kg (6614 lb)	180 kg (397 lb)
TSL0115	460 mm (18.1 in)	880 mm (34.6 in)	1320 mm (52.0 in)	2500 kg (5512 lb)	180 kg (397 lb)
TSL0117	1120 mm (44.1 in)	879 mm (34.6 in)	1292 mm (50,9 in)	3000 kg (6614 lb)	200 kg (441 lb)
TSL0123	700 mm (27.6 in)	798 mm (31.4 in)	1301 mm (51.2 in)	2000 kg (4409 lb)	140 kg (309 lb)
TSL0128	1550 mm (61.0 in)	1170 mm (46.1 in)	2965 mm (116.7 in)	6000 kg (13228 lb)	900 kg (1984 lb)
TSL0154	1120 mm (44.1 in)	870 mm (34.3 in)	1290 mm (50,8 in)	5000 kg (11023 lb)	205 kg (452 lb)
TSL0161	700 mm (27.6 in)	800 mm (31.5 in)	1299 mm (51,1 in)	3200 kg (7055 lb)	150 kg (331 lb)
TSL0171	1240 mm (48.8 in)	880 mm (34.6 in)	1290 mm (50,8 in)	3000 kg (6614 lb)	220 kg (485 lb)

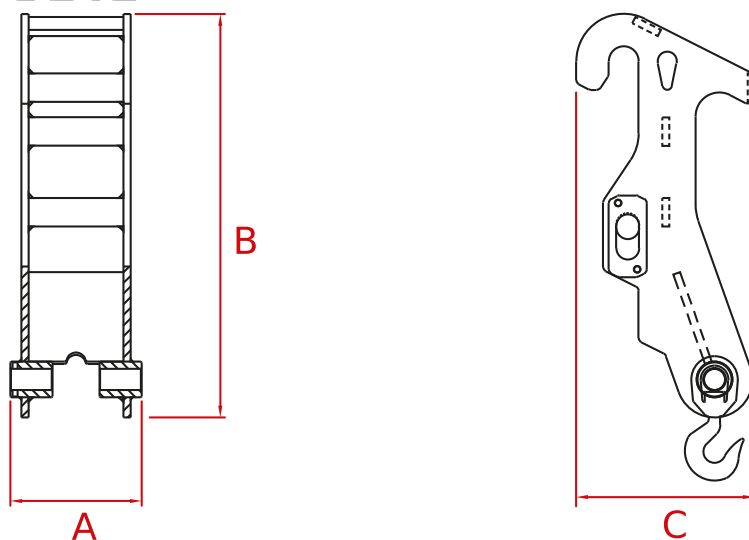


## Hook for forks holding plate

This equipment has been designed to handle suspended loads in total safety thanks to the sturdy structure and the 360° rotating hook with locking tab.



## Technical data



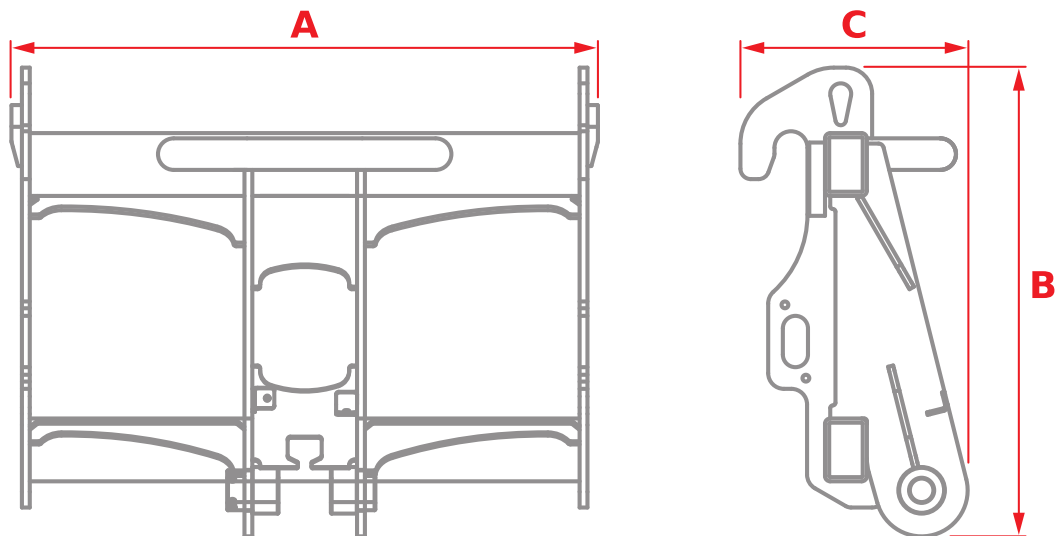
Code	A	B	C		
TSL0007	277 mm (10.9 in)	850 mm (33.5 in)	377 mm (14.8 in)	5000 kg (11023 lb)	60 kg (132 lb)
TSL0019	334 mm (13.1 in)	334 mm (13.1 in)	862 mm (33.9 in)	8000 kg (17637 lb)	85 kg (187 lb)

## Hook for wide forks holding plate

This equipment has been designed to handle suspended loads in total safety thanks to the sturdy structure and the 360° rotating hook with locking tab.

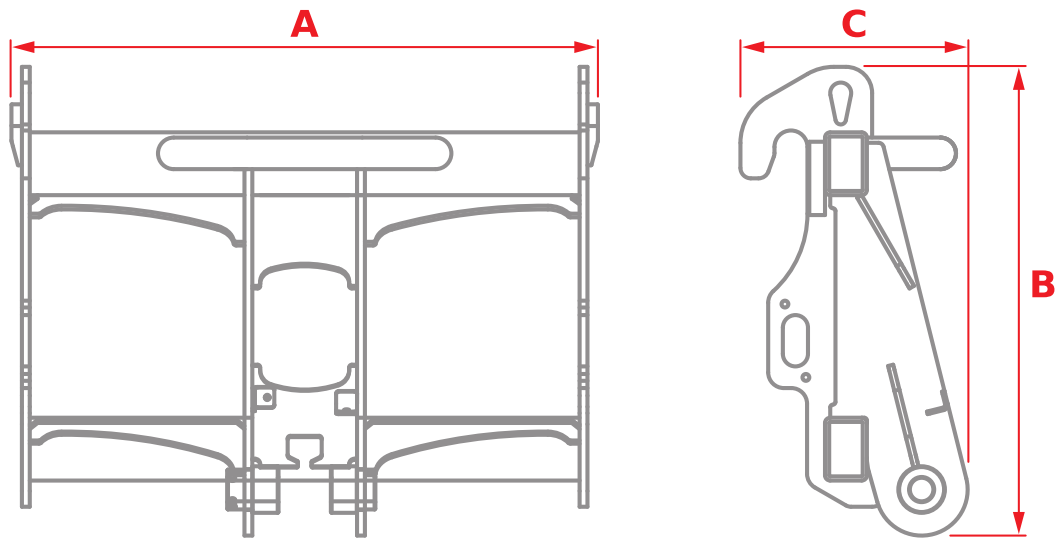


## Technical data



Code	A	B	C		
TSL0044	620 mm (24.4 in)	825 mm (32,5 in)	448 mm (17.6 in)	3200 kg (7055 lb)	110 kg (243 lb)
TSL0045	1200 mm (47.2 in)	907 mm (35.7 in)	440 mm (17.3 in)	7000 kg (15432 lb)	215 kg (474 lb)
TSL0046	1050 mm (41.3 in)	895 mm (35.2 in)	434 mm (17.1 in)	4000 kg (8818 lb)	145 kg (320 lb)
TSL0067	1550 mm (61.0 in)	925 mm (36.4 in)	1020 mm (40.2 in)	16000 kg (35274 lb)	575 kg (1268 lb)
TSL0068	1550 mm (61.0 in)	925 mm (36.4 in)	1020 mm (40.2 in)	21000 kg (46297 lb)	575 kg (1268 lb)
TSL0091	1550 mm (61.0 in)	1020 mm (40.2 in)	965 mm (38.0 in)	23000 kg (50706 lb)	590 kg (1301 lb)
TSL0098	1120 mm (44.1 in)	825 mm (32,5 in)	434 mm (17.1 in)	5000 kg (11023 lb)	125 kg (276 lb)

# Technical data



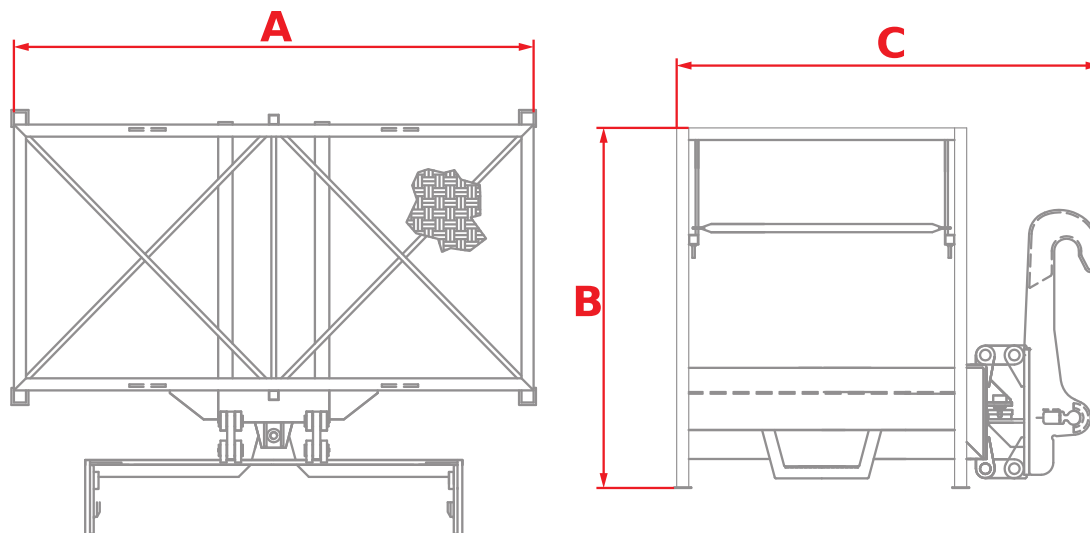
Code	A	B	C		
TSL0116	1120 mm (44.1 in)	825 mm (32,5 in)	434 mm (17.1 in)	5000 kg (11023 lb)	125 kg (276 lb)
TSL0118	1120 mm (44.1 in)	895 mm (35.2 in)	434 mm (17.1 in)	7500 kg (16535 lb)	125 kg (276 lb)
TSL0121	1120 mm (44.1 in)	895 mm (35.2 in)	435 mm (17.1 in)	5000 kg (11023 lb)	125 kg (276 lb)
TSL0124	720 mm (28.3 in)	825 mm (32,5 in)	448 mm (17.6 in)	3000 kg (6614 lb)	105 kg (231 lb)
TSL0126	1550 mm (61.0 in)	925 mm (36.4 in)	1020 mm (40.2 in)	16000 kg (35274 lb)	575 kg (1268 lb)
TSL0129	1560 mm (61.4 in)	1020 mm (40.2 in)	925 mm (36.4 in)	21000 kg (46297 lb)	595 kg (1312 lb)
TSL0132	1560 mm (61.4 in)	1020 mm (40.2 in)	925 mm (36.4 in)	23000 kg (50706 lb)	560 kg (1235 lb)
TSL0172	1240 mm (48.8 in)	895 mm (35.2 in)	412 mm (16.2 in)	7500 kg (16535 lb)	160 kg (353 lb)

# FRONT BASKET

Front basket suitable to transport people and materials.

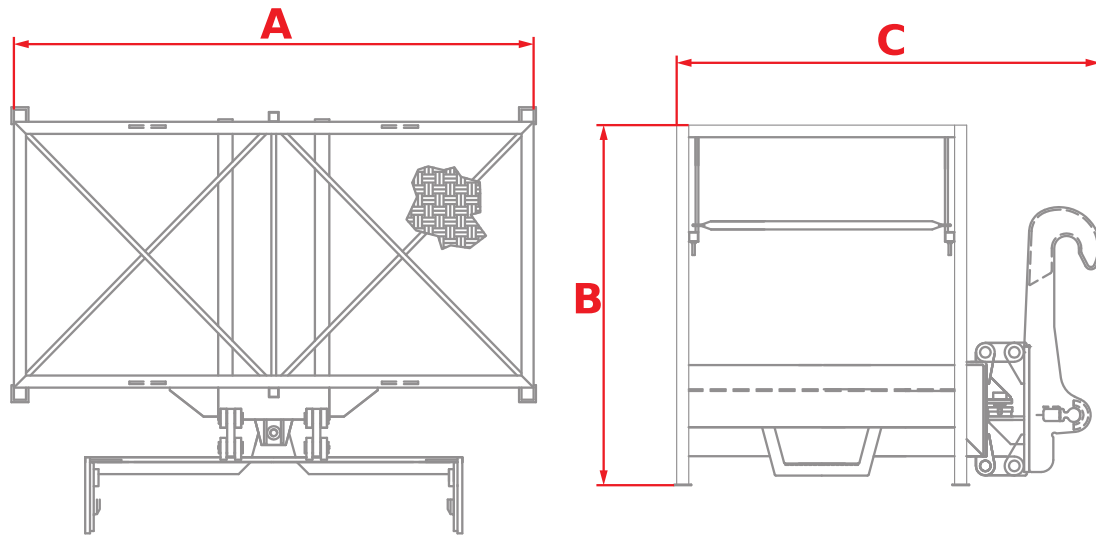


## Technical data



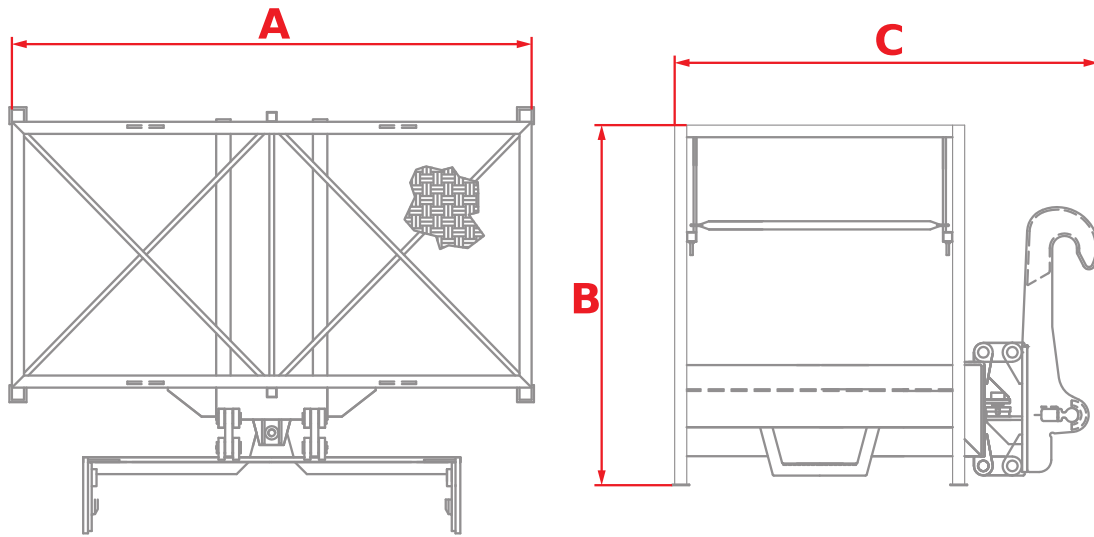
Code	A	B	C	A	C	Person	Weight	Capacity
TCS0001	1540 mm (60.6 in)	1313 mm (51.7 in)	995 mm (39.2 in)	1400 mm (55.1 in)	700 mm (27.6 in)	2	200 kg (441 lb)	110 kg (243 lb)
TCS0003	2150 mm (84.6 in)	1490 mm (58.7 in)	1653 mm (65.1 in)	2150 mm (84.6 in)	1200 mm (47.2 in)	3	300 kg (661 lb)	405 kg (893 lb)
TCS0004	2150 mm (84.6 in)	1490 mm (58.7 in)	1663 mm (65.5 in)	2150 mm (84.6 in)	1200 mm (47.2 in)	3	300 kg (661 lb)	405 kg (893 lb)
TCS0005	2150 mm (84.6 in)	1490 mm (58.7 in)	1663 mm (65.5 in)	2150 mm (84.6 in)	1200 mm (47.2 in)	3	300 kg (661 lb)	405 kg (893 lb)
TCS0017	2150 mm (84.6 in)	1490 mm (58.7 in)	1653 mm (65.1 in)	2150 mm (84.6 in)	1200 mm (47.2 in)	3	300 kg (661 lb)	405 kg (893 lb)

# Technical data



Code	A	B	C	A	C	Person	Crane	Weight
TCS0022	2150 mm (84.6 in)	1490 mm (58.7 in)	1663 mm (65.5 in)	2150 mm (84.6 in)	1200 mm (47.2 in)	3	300 kg (661 lb)	405 kg (893 lb)
TCS0044	1540 mm (60.6 in)	1313 mm (51.7 in)	975 mm (38.4 in)	1400 mm (55.1 in)	700 mm (27.6 in)	2	200 kg (441 lb)	125 kg (276 lb)
TCS0066	2150 mm (84.6 in)	1490 mm (58.7 in)	1753 mm (69.0 in)	2150 mm (84.6 in)	1200 mm (47.2 in)	3	1000 kg (2205 lb)	540 kg (1190 lb)
TCS0069	2150 mm (84.6 in)	1490 mm (58.7 in)	1653 mm (65.1 in)	2150 mm (84.6 in)	1200 mm (47.2 in)	3	300 kg (661 lb)	405 kg (893 lb)
TCS0071	2150 mm (84.6 in)	1490 mm (58.7 in)	1753 mm (69.0 in)	2150 mm (84.6 in)	1200 mm (47.2 in)	3	1000 kg (2205 lb)	540 kg (1190 lb)
TCS0089	2150 mm (84.6 in)	1490 mm (58.7 in)	1653 mm (65.1 in)	2150 mm (84.6 in)	1200 mm (47.2 in)	3	300 kg (661 lb)	405 kg (893 lb)
TCS0091	1540 mm (60.6 in)	1313 mm (51.7 in)	995 mm (39.2 in)	1400 mm (55.1 in)	700 mm (27.6 in)	2	200 kg (441 lb)	135 kg (298 lb)
TCS0095	2150 mm (84.6 in)	1490 mm (58.7 in)	1670 mm (65.7 in)	2050 mm (80.7 in)	1000 mm (39.4 in)	3	300 kg (661 lb)	405 kg (893 lb)
TCS0123	1540 mm (60.6 in)	1313 mm (51.7 in)	995 mm (39.2 in)	1400 mm (55.1 in)	700 mm (27.6 in)	2	200 kg (441 lb)	110 kg (243 lb)
TCS0124	1540 mm (60.6 in)	1313 mm (51.7 in)	995 mm (39.2 in)	1400 mm (55.1 in)	700 mm (27.6 in)	2	200 kg (441 lb)	110 kg (243 lb)
TCS0125	2150 mm (84.6 in)	1490 mm (58.7 in)	1653 mm (65.1 in)	2150 mm (84.6 in)	1200 mm (47.2 in)	3	300 kg (661 lb)	405 kg (893 lb)
TCS0136	1468 mm (57.8 in)	1356 mm (53.4 in)	1000 mm (39.4 in)	1400 mm (55.1 in)	700 mm (27.6 in)	2	200 kg (441 lb)	135 kg (298 lb)
TCS0137	1468 mm (57.8 in)	1356 mm (53.4 in)	1000 mm (39.4 in)	1400 mm (55.1 in)	700 mm (27.6 in)	2	200 kg (441 lb)	135 kg (298 lb)
TCS0138	2150 mm (84.6 in)	1490 mm (58.7 in)	1663 mm (65.5 in)	2150 mm (84.6 in)	1200 mm (47.2 in)	3	300 kg (661 lb)	405 kg (893 lb)
TCS0139	2150 mm (84.6 in)	1490 mm (58.7 in)	1663 mm (65.5 in)	2150 mm (84.6 in)	1200 mm (47.2 in)	3	300 kg (661 lb)	375 kg (827 lb)
TCS0164	1400 mm (55.1 in)	1320 mm (52.0 in)	1050 mm (41.3 in)	1400 mm (55.1 in)	700 mm (27.6 in)	2	200 kg (441 lb)	135 kg (298 lb)
TCS0165	2150 mm (84.6 in)	1490 mm (58.7 in)	1653 mm (65.1 in)	2150 mm (84.6 in)	1200 mm (47.2 in)	3	300 kg (661 lb)	405 kg (893 lb)
TCS0172	2150 mm (84.6 in)	1490 mm (58.7 in)	1753 mm (69.0 in)	2150 mm (84.6 in)	1200 mm (47.2 in)	3	1000 kg (2205 lb)	540 kg (1190 lb)
TCS0177	2150 mm (84.6 in)	1490 mm (58.7 in)	1753 mm (69.0 in)	2150 mm (84.6 in)	1200 mm (47.2 in)	3	1000 kg (2205 lb)	540 kg (1190 lb)
TCS0186	2150 mm (84.6 in)	1490 mm (58.7 in)	1653 mm (65.1 in)	2050 mm (80.7 in)	1000 mm (39.4 in)	3	300 kg (661 lb)	405 kg (893 lb)
TCS0193	1540 mm (60.6 in)	1313 mm (51.7 in)	975 mm (38.4 in)	1400 mm (55.1 in)	700 mm (27.6 in)	2	200 kg (441 lb)	130 kg (287 lb)
TCS0194	1540 mm (60.6 in)	1356 mm (53.4 in)	1000 mm (39.4 in)	1400 mm (55.1 in)	700 mm (27.6 in)	2	200 kg (441 lb)	130 kg (287 lb)

# Technical data



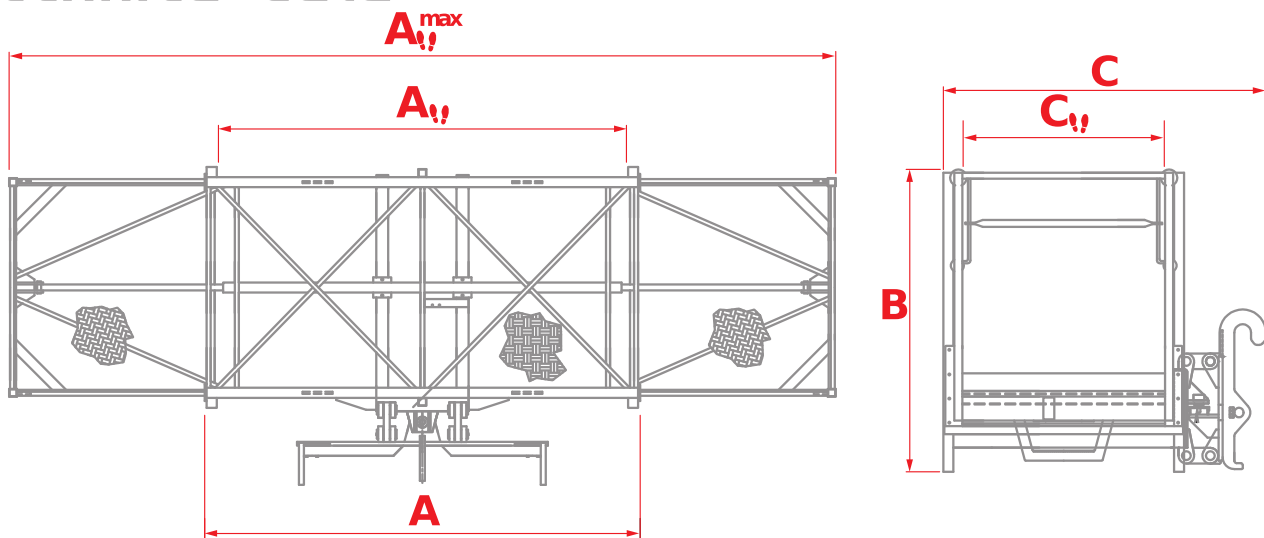
Code	A	B	C	A	C			
TCS0195	2150 mm (84.6 in)	1490 mm (58.7 in)	1662 mm (65.4 in)	2000 mm (78.7 in)	1000 mm (39.4 in)	3	300 kg (661 lb)	360 kg (794 lb)

# EXTENSIBLE FRONT BASKET

Extensible front basket hydraulically suitable for transporting people and materials.

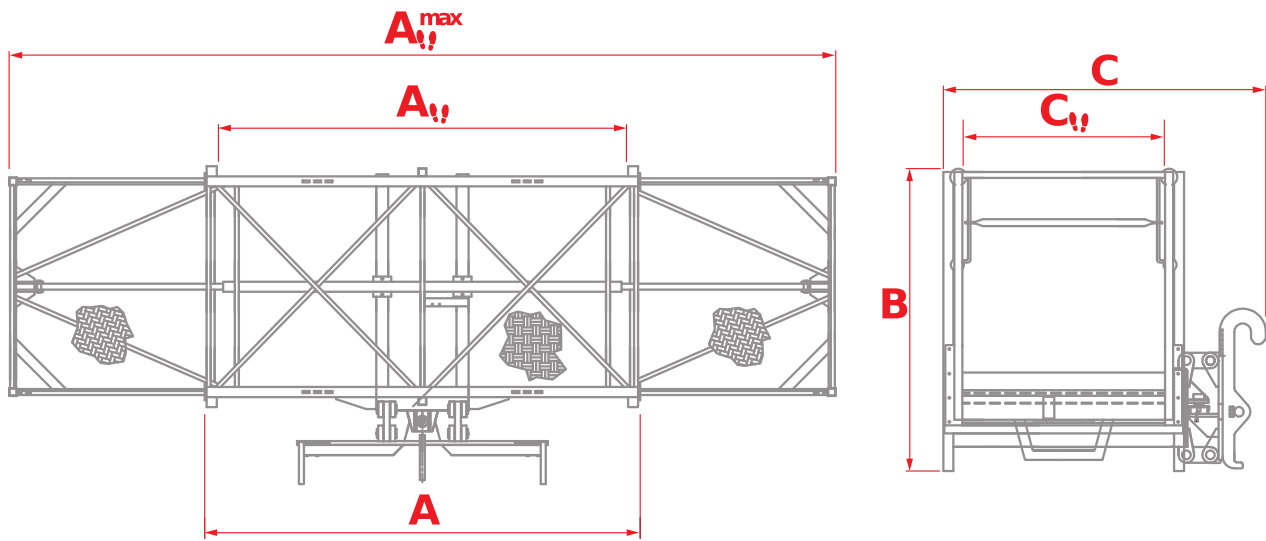


## Technical data



Code	A	B	C	A <sup>max</sup>	A	C				
TCS0006	2410 mm (94.9 in)	1490 mm (58.7 in)	1587 mm (62,5 in)	4120 mm (162.2 in)	2400 mm (94.5 in)	1200 mm (47.2 in)	Hydraulic	3	300 kg (661 lb)	525 kg (1157 lb)
TCS0007	2410 mm (94.9 in)	1490 mm (58.7 in)	1587 mm (62,5 in)	4120 mm (162.2 in)	2400 mm (94.5 in)	1200 mm (47.2 in)	Hydraulic	3	300 kg (661 lb)	525 kg (1157 lb)
TCS0018	2410 mm (94.9 in)	1490 mm (58.7 in)	1607 mm (63.3 in)	4120 mm (162.2 in)	2400 mm (94.5 in)	1200 mm (47.2 in)	Hydraulic	3	300 kg (661 lb)	525 kg (1157 lb)
TCS0024	2410 mm (94.9 in)	1490 mm (58.7 in)	1587 mm (62,5 in)	4120 mm (162.2 in)	2400 mm (94.5 in)	1200 mm (47.2 in)	Hydraulic	3	300 kg (661 lb)	525 kg (1157 lb)
TCS0126	2410 mm (94.9 in)	1490 mm (58.7 in)	1587 mm (62,5 in)	4120 mm (162.2 in)	2400 mm (94.5 in)	1200 mm (47.2 in)	Hydraulic	3	300 kg (661 lb)	525 kg (1157 lb)

# Technical data



Code	A	B	C	A <sup>max</sup>	A	C				
TCS0127	2410 mm (94.9 in)	1490 mm (58.7 in)	1587 mm (62,5 in)	4120 mm (162.2 in)	2400 mm (94.5 in)	1200 mm (47.2 in)	Hydraulic	3	300 kg (661 lb)	525 kg (1157 lb)
TCS0140	2410 mm (94.9 in)	1490 mm (58.7 in)	1587 mm (62,5 in)	4120 mm (162.2 in)	2400 mm (94.5 in)	1200 mm (47.2 in)	Hydraulic	3	300 kg (661 lb)	525 kg (1157 lb)
TCS0141	2410 mm (94.9 in)	1490 mm (58.7 in)	1587 mm (62,5 in)	4120 mm (162.2 in)	2400 mm (94.5 in)	1200 mm (47.2 in)	Hydraulic	3	300 kg (661 lb)	495 kg (1091 lb)
TCS0166	2410 mm (94.9 in)	1490 mm (58.7 in)	1607 mm (63.3 in)	4120 mm (162.2 in)	2400 mm (94.5 in)	1200 mm (47.2 in)	Hydraulic	3	300 kg (661 lb)	525 kg (1157 lb)

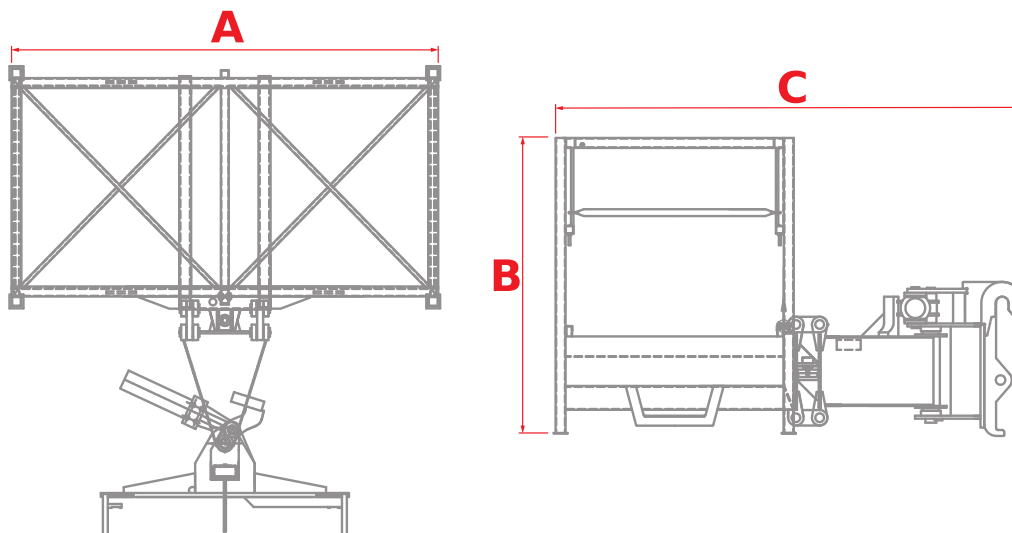


# TRILATERAL BASKET

Trilateral hydraulic rotation basket suitable for transporting people and materials at height.

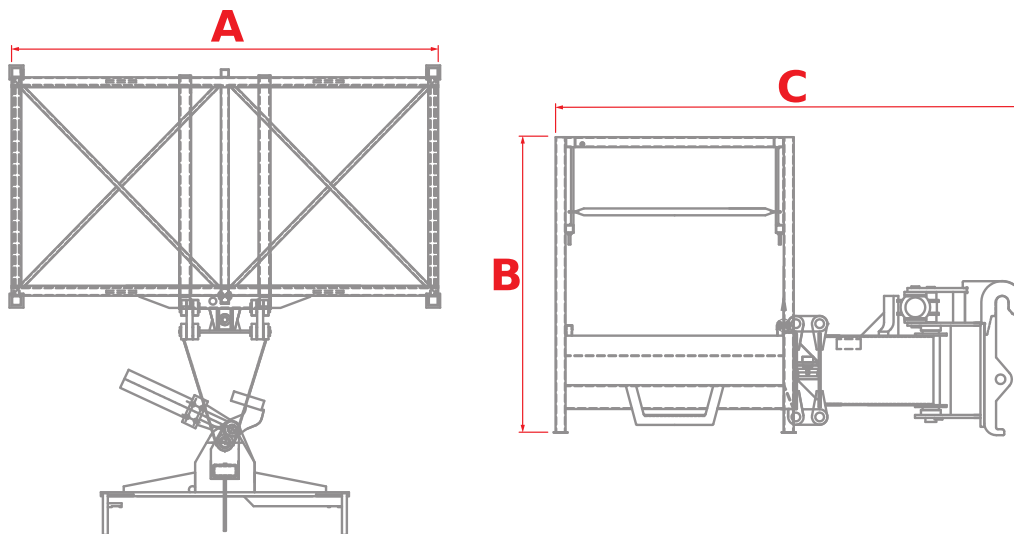


## Technical data



Code	A	B	C	A	C	Person	Hook	Weight
TCS0008	2150 mm (84.6 in)	1490 mm (58.7 in)	2357 mm (92,8 in)	2150 mm (84.6 in)	1200 mm (47.2 in)	3	300 kg (661 lb)	550 kg (1213 lb)
TCS0009	2150 mm (84.6 in)	1490 mm (58.7 in)	2357 mm (92,8 in)	2150 mm (84.6 in)	1200 mm (47.2 in)	3	300 kg (661 lb)	550 kg (1213 lb)
TCS0019	2150 mm (84.6 in)	1490 mm (58.7 in)	2373 mm (93.4 in)	2150 mm (84.6 in)	1200 mm (47.2 in)	3	300 kg (661 lb)	550 kg (1213 lb)
TCS0026	2150 mm (84.6 in)	1490 mm (58.7 in)	2357 mm (92,8 in)	2150 mm (84.6 in)	1200 mm (47.2 in)	3	300 kg (661 lb)	550 kg (1213 lb)
TCS0047	2150 mm (84.6 in)	1490 mm (58.7 in)	2552 mm (100.5 in)	2150 mm (84.6 in)	1200 mm (47.2 in)	3	1000 kg (2205 lb)	700 kg (1543 lb)

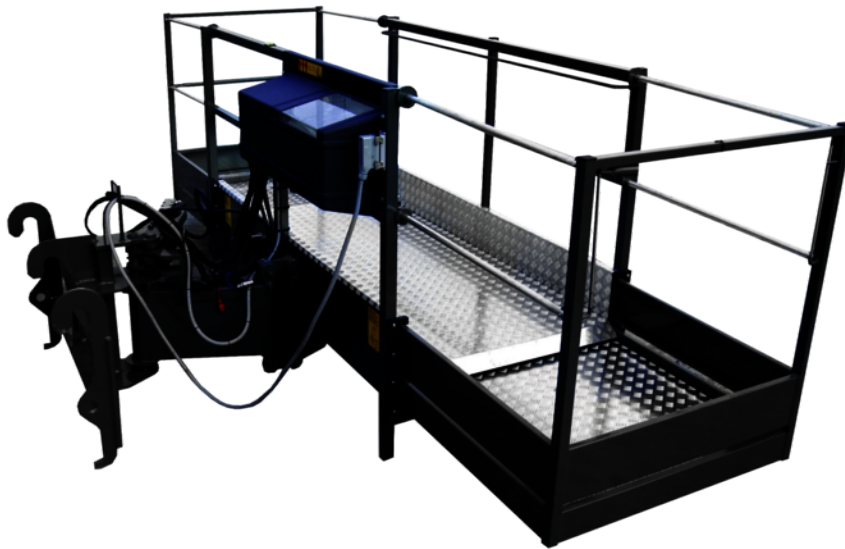
# Technical data



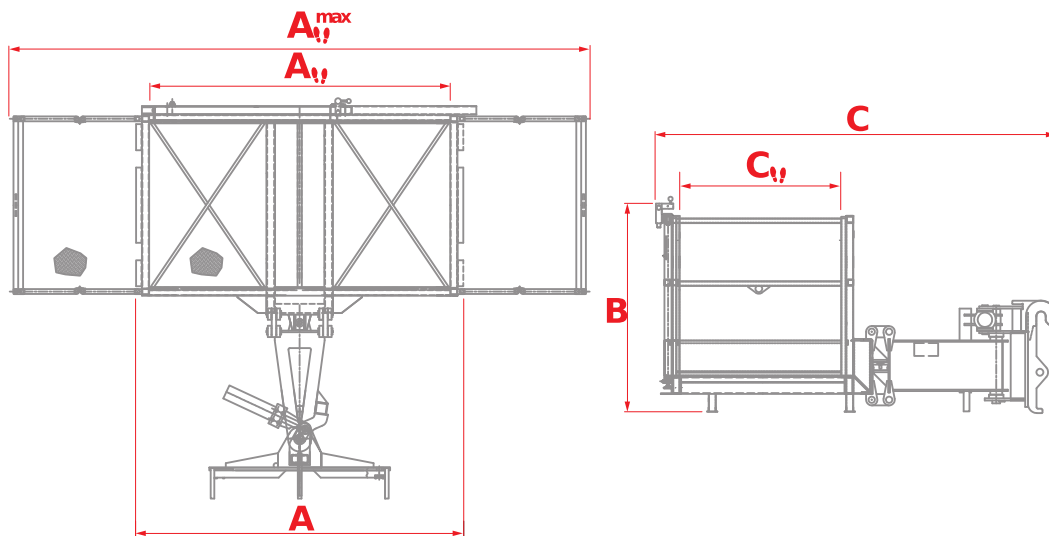
Code	A	B	C	A	C	Person	Crane	Weight
TCS0048	2150 mm (84.6 in)	1490 mm (58.7 in)	2552 mm (100.5 in)	2150 mm (84.6 in)	1200 mm (47.2 in)	3	1000 kg (2205 lb)	700 kg (1543 lb)
TCS0070	2150 mm (84.6 in)	1500 mm (59.1 in)	2552 mm (100.5 in)	2050 mm (80.7 in)	1000 mm (39.4 in)	3	800 kg (1764 lb)	685 kg (1510 lb)
TCS0075	2150 mm (84.6 in)	1500 mm (59.1 in)	2552 mm (100.5 in)	2400 mm (94.5 in)	1200 mm (47.2 in)	3	800 kg (1764 lb)	685 kg (1510 lb)
TCS0076	2150 mm (84.6 in)	1500 mm (59.1 in)	2552 mm (100.5 in)	2400 mm (94.5 in)	1200 mm (47.2 in)	3	800 kg (1764 lb)	685 kg (1510 lb)
TCS0099	2150 mm (84.6 in)	1490 mm (58.7 in)	2373 mm (93.4 in)	2150 mm (84.6 in)	1200 mm (47.2 in)	3	300 kg (661 lb)	550 kg (1213 lb)
TCS0128	2150 mm (84.6 in)	1490 mm (58.7 in)	2373 mm (93.4 in)	2150 mm (84.6 in)	1200 mm (47.2 in)	3	300 kg (661 lb)	550 kg (1213 lb)
TCS0129	2150 mm (84.6 in)	1490 mm (58.7 in)	2373 mm (93.4 in)	2150 mm (84.6 in)	1200 mm (47.2 in)	3	300 kg (661 lb)	550 kg (1213 lb)
TCS0142	2150 mm (84.6 in)	1490 mm (58.7 in)	2357 mm (92,8 in)	2150 mm (84.6 in)	1200 mm (47.2 in)	3	300 kg (661 lb)	550 kg (1213 lb)
TCS0143	2150 mm (84.6 in)	1490 mm (58.7 in)	2357 mm (92,8 in)	2150 mm (84.6 in)	1200 mm (47.2 in)	3	300 kg (661 lb)	520 kg (1146 lb)
TCS0146	2150 mm (84.6 in)	1500 mm (59.1 in)	2552 mm (100.5 in)	2400 mm (94.5 in)	1200 mm (47.2 in)	3	800 kg (1764 lb)	685 kg (1510 lb)
TCS0147	2150 mm (84.6 in)	1500 mm (59.1 in)	2552 mm (100.5 in)	2400 mm (94.5 in)	1200 mm (47.2 in)	3	800 kg (1764 lb)	685 kg (1510 lb)
TCS0161	2150 mm (84.6 in)	1490 mm (58.7 in)	2552 mm (100.5 in)	2150 mm (84.6 in)	1200 mm (47.2 in)	3	1000 kg (2205 lb)	700 kg (1543 lb)
TCS0162	2150 mm (84.6 in)	1490 mm (58.7 in)	2552 mm (100.5 in)	2150 mm (84.6 in)	1200 mm (47.2 in)	3	1000 kg (2205 lb)	670 kg (1477 lb)
TCS0167	2150 mm (84.6 in)	1490 mm (58.7 in)	2373 mm (93.4 in)	2150 mm (84.6 in)	1200 mm (47.2 in)	3	300 kg (661 lb)	550 kg (1213 lb)
TCS0169	2150 mm (84.6 in)	1500 mm (59.1 in)	2552 mm (100.5 in)	2050 mm (80.7 in)	1000 mm (39.4 in)	3	800 kg (1764 lb)	685 kg (1510 lb)
TCS0188	2150 mm (84.6 in)	1487 mm (58.5 in)	2357 mm (92,8 in)	2050 mm (80.7 in)	1000 mm (39.4 in)	3	300 kg (661 lb)	550 kg (1213 lb)
TCS0196	1250 mm (49,2 in)	1490 mm (58.7 in)	2602 mm (102.4 in)	1000 mm (39.4 in)	1950 mm (76.8 in)	3	1000 kg (2205 lb)	655 kg (1444 lb)

# EXTENSIBLE TRILATERAL BASKET

Trilateral hydraulic rotation basket, extensible by hydraulic cylinders, suitable for transporting people and materials at height.

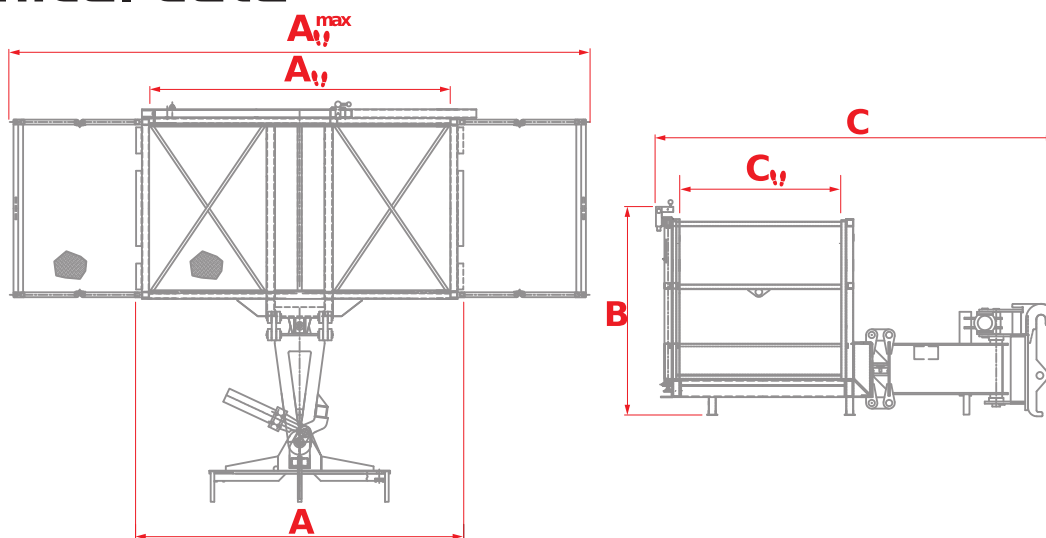


## Technical data



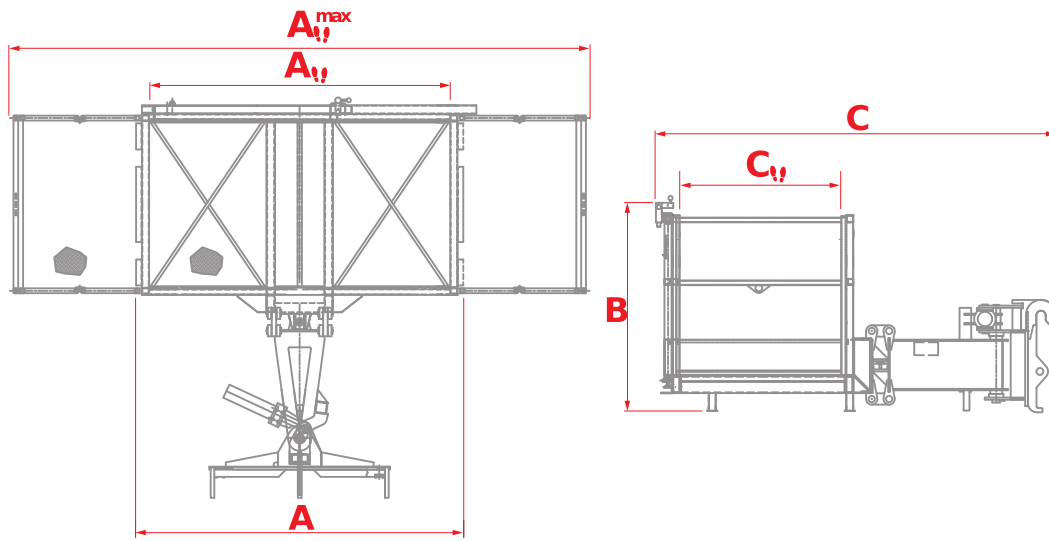
Code	A	B	C	A <sup>max</sup>	A	C				
TCS0010	2410 mm (94.9 in)	1490 mm (58.7 in)	2354 mm (92.7 in)	4120 mm (162.2 in)	2400 mm (94.5 in)	1200 mm (47.2 in)	Hydraulic	3	300 kg (661 lb)	685 kg (1510 lb)
TCS0011	2410 mm (94.9 in)	1490 mm (58.7 in)	2354 mm (92.7 in)	4120 mm (162.2 in)	2400 mm (94.5 in)	1200 mm (47.2 in)	Hydraulic	3	300 kg (661 lb)	750 kg (1653 lb)
TCS0012	2400 mm (94.5 in)	1409 mm (55.5 in)	2550 mm (100.4 in)	4116 mm (162.0 in)	2400 mm (94.5 in)	1200 mm (47.2 in)	Hydraulic	3	800 kg (1764 lb)	985 kg (2172 lb)
TCS0013	2400 mm (94.5 in)	1409 mm (55.5 in)	2550 mm (100.4 in)	4116 mm (162.0 in)	2400 mm (94.5 in)	1200 mm (47.2 in)	Hydraulic	3	800 kg (1764 lb)	985 kg (2172 lb)
TCS0014	2470 mm (97.2 in)	1490 mm (58.7 in)	2552 mm (100.5 in)	5800 mm (228.3 in)	2400 mm (94.5 in)	1200 mm (47.2 in)	Hydraulic and Manual	3	300 kg (661 lb)	1165 kg (2568 lb)

# Technical data



Code	A	B	C	A <sup>max</sup>	A	C				
TCS0015	2470 mm (97.2 in)	1490 mm (58.7 in)	2552 mm (100.5 in)	5800 mm (228.3 in)	2400 mm (94.5 in)	1200 mm (47.2 in)	Hydraulic and Manual	3	300 kg (661 lb)	1165 kg (2568 lb)
TCS0020	2410 mm (94.9 in)	1490 mm (58.7 in)	2376 mm (93.5 in)	4120 mm (162.2 in)	2400 mm (94.5 in)	1200 mm (47.2 in)	Hydraulic	3	300 kg (661 lb)	685 kg (1510 lb)
TCS0021	2400 mm (94.5 in)	1490 mm (58.7 in)	2572 mm (101.3 in)	4116 mm (162.0 in)	2400 mm (94.5 in)	1200 mm (47.2 in)	Hydraulic	3	800 kg (1764 lb)	985 kg (2172 lb)
TCS0028	2410 mm (94.9 in)	1490 mm (58.7 in)	2354 mm (92.7 in)	4120 mm (162.2 in)	2400 mm (94.5 in)	1200 mm (47.2 in)	Hydraulic	3	300 kg (661 lb)	685 kg (1510 lb)
TCS0030	2400 mm (94.5 in)	1409 mm (55.5 in)	2550 mm (100.4 in)	4116 mm (162.0 in)	2400 mm (94.5 in)	1200 mm (47.2 in)	Hydraulic	3	800 kg (1764 lb)	985 kg (2172 lb)
TCS0046	2470 mm (97.2 in)	1490 mm (58.7 in)	2552 mm (100.5 in)	5800 mm (228.3 in)	2400 mm (94.5 in)	1200 mm (47.2 in)	Hydraulic and Manual	3	300 kg (661 lb)	1165 kg (2568 lb)
TCS0101	2410 mm (94.9 in)	1490 mm (58.7 in)	2376 mm (93.5 in)	4120 mm (162.2 in)	2400 mm (94.5 in)	1200 mm (47.2 in)	Hydraulic	3	300 kg (661 lb)	685 kg (1510 lb)
TCS0103	2400 mm (94.5 in)	1490 mm (58.7 in)	2572 mm (101.3 in)	4116 mm (162.0 in)	2400 mm (94.5 in)	1200 mm (47.2 in)	Hydraulic	3	800 kg (1764 lb)	910 kg (2006 lb)
TCS0144	2410 mm (94.9 in)	1490 mm (58.7 in)	2354 mm (92.7 in)	4120 mm (162.2 in)	2400 mm (94.5 in)	1200 mm (47.2 in)	Hydraulic	3	300 kg (661 lb)	685 kg (1510 lb)
TCS0145	2410 mm (94.9 in)	1490 mm (58.7 in)	2354 mm (92.7 in)	4120 mm (162.2 in)	2400 mm (94.5 in)	1200 mm (47.2 in)	Hydraulic	3	300 kg (661 lb)	655 kg (1444 lb)
TCS0148	2400 mm (94.5 in)	1409 mm (55.5 in)	2550 mm (100.4 in)	4116 mm (162.0 in)	2400 mm (94.5 in)	1200 mm (47.2 in)	Hydraulic	3	800 kg (1764 lb)	915 kg (2017 lb)
TCS0149	2400 mm (94.5 in)	1409 mm (55.5 in)	2550 mm (100.4 in)	4116 mm (162.0 in)	2400 mm (94.5 in)	1200 mm (47.2 in)	Hydraulic	3	800 kg (1764 lb)	870 kg (1918 lb)
TCS0159	2470 mm (97.2 in)	1490 mm (58.7 in)	2552 mm (100.5 in)	5800 mm (228.3 in)	2400 mm (94.5 in)	1200 mm (47.2 in)	Hydraulic and Manual	3	300 kg (661 lb)	1165 kg (2568 lb)
TCS0160	2470 mm (97.2 in)	1490 mm (58.7 in)	2552 mm (100.5 in)	5800 mm (228.3 in)	2400 mm (94.5 in)	1200 mm (47.2 in)	Hydraulic and Manual	3	300 kg (661 lb)	1135 kg (2502 lb)
TCS0168	2410 mm (94.9 in)	1490 mm (58.7 in)	2376 mm (93.5 in)	4120 mm (162.2 in)	2400 mm (94.5 in)	1200 mm (47.2 in)	Hydraulic	3	300 kg (661 lb)	685 kg (1510 lb)
TCS0170	2400 mm (94.5 in)	1490 mm (58.7 in)	2572 mm (101.3 in)	4116 mm (162.0 in)	2400 mm (94.5 in)	1200 mm (47.2 in)	Hydraulic	3	800 kg (1764 lb)	985 kg (2172 lb)
TCS0174	2450 mm (96.5 in)	1504 mm (59.2 in)	2852 mm (112.3 in)	4400 mm (173.2 in)	2200 mm (86.6 in)	1200 mm (47.2 in)	Manuale	3	300 kg (661 lb)	895 kg (1973 lb)
TCS0179	2450 mm (96.5 in)	1504 mm (59.2 in)	2852 mm (112.3 in)	4400 mm (173.2 in)	2200 mm (86.6 in)	1200 mm (47.2 in)	Manuale	3	300 kg (661 lb)	895 kg (1973 lb)
TCS0189	2410 mm (94.9 in)	1490 mm (58.7 in)	2354 mm (92.7 in)	4120 mm (162.2 in)	2400 mm (94.5 in)	1200 mm (47.2 in)	Hydraulic	3	300 kg (661 lb)	685 kg (1510 lb)
TCS0190	2400 mm (94.5 in)	1409 mm (55.5 in)	2550 mm (100.4 in)	4116 mm (162.0 in)	2400 mm (94.5 in)	1200 mm (47.2 in)	Hydraulic	3	800 kg (1764 lb)	920 kg (2028 lb)
TCS0198	4120 mm (162.2 in)	1490 mm (58.7 in)	2356 mm (92.8 in)	4120 mm (162.2 in)	4000 mm (157.5 in)	1000 mm (39.4 in)	Hydraulic	3	300 kg (661 lb)	655 kg (1444 lb)
TCS0199	2940 mm (115.7 in)	1490 mm (58.7 in)	2447 mm (96.3 in)	5900 mm (232.3 in)	2000 mm (78.7 in)	1050 mm (41.3 in)	HYDRAULIC+MANUAL	3	300 kg (661 lb)	1150 kg (2535 lb)

# Technical data



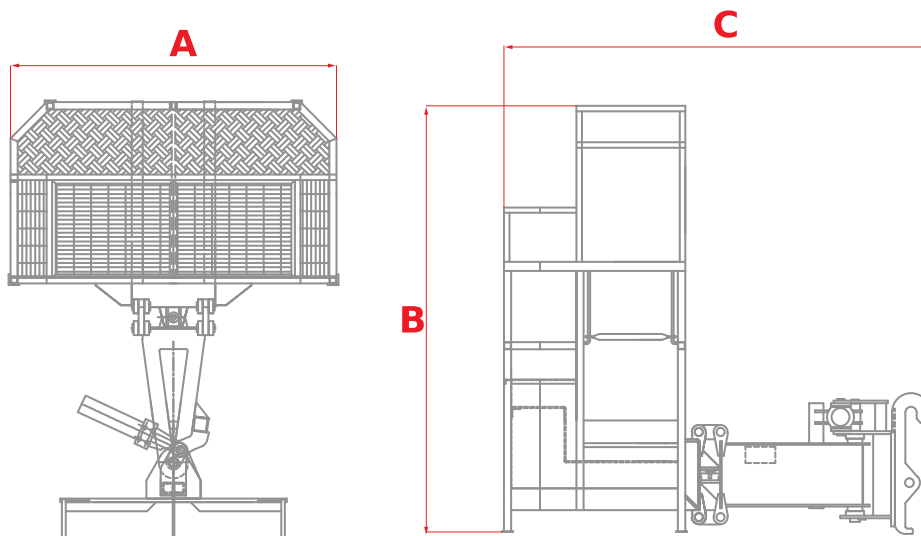
Code	A	B	C	A <sup>max</sup>	A	C				
TCS0200	4116 mm (162.0 in)	1490 mm (58.7 in)	2602 mm (102.4 in)	4120 mm (162.2 in)	3870 mm (152.4 in)	1000 mm (39.4 in)	Hydraulic	3	800 kg (1764 lb)	890 kg (1962 lb)

# Trilateral basket for tunnels

Trilateral hydraulic rotation basket suitable for transporting people and materials at height equipped with a protective roof suitable for tunnel work.

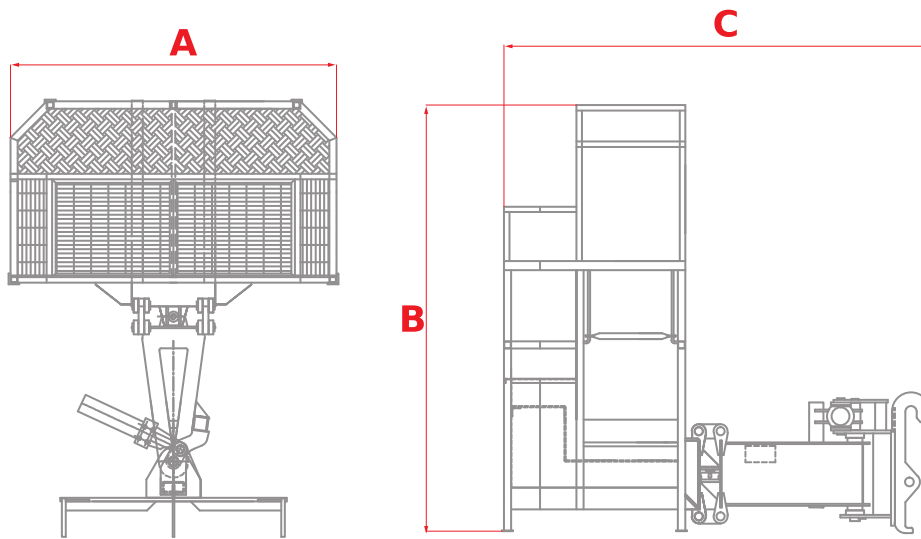


## Technical data



Code	A	B	C	A	C	Person	Weight	Weight
TCS0034	1800 mm (70.9 in)	2350 mm (92.5 in)	2223 mm (87.5 in)	1800 mm (70.9 in)	1000 mm (39.4 in)	2	300 kg (661 lb)	775 kg (1709 lb)
TCS0035	1800 mm (70.9 in)	2350 mm (92.5 in)	2223 mm (87.5 in)	1800 mm (70.9 in)	1000 mm (39.4 in)	2	300 kg (661 lb)	775 kg (1709 lb)
TCS0036	1800 mm (70.9 in)	2350 mm (92.5 in)	2352 mm (92.6 in)	1800 mm (70.9 in)	1000 mm (39.4 in)	2	800 kg (1764 lb)	845 kg (1863 lb)
TCS0037	1800 mm (70.9 in)	2350 mm (92.5 in)	2352 mm (92.6 in)	1800 mm (70.9 in)	1000 mm (39.4 in)	2	800 kg (1764 lb)	845 kg (1863 lb)
TCS0154	1800 mm (70.9 in)	2350 mm (92.5 in)	2352 mm (92.6 in)	1800 mm (70.9 in)	1000 mm (39.4 in)	2	300 kg (661 lb)	760 kg (1676 lb)

# Technical data



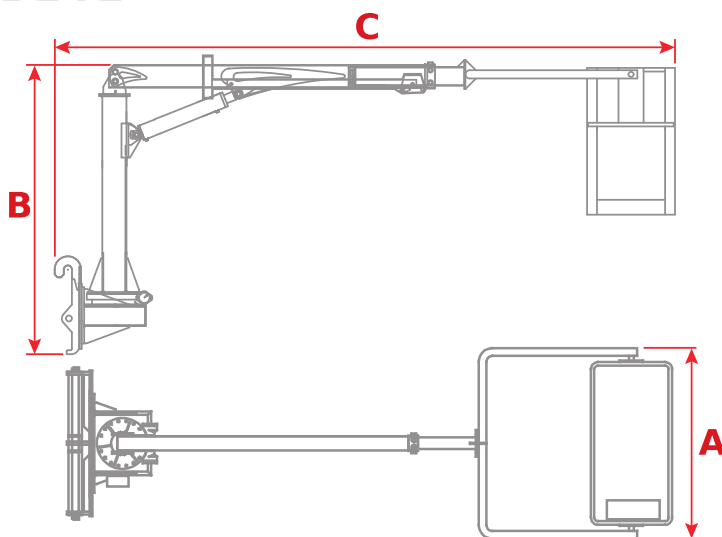
Code	A	B	C	A	C			
TCS0155	1800 mm (70.9 in)	2350 mm (92.5 in)	2352 mm (92.6 in)	1800 mm (70.9 in)	1000 mm (39.4 in)	2	300 kg (661 lb)	745 kg (1642 lb)
TCS0156	1800 mm (70.9 in)	2350 mm (92.5 in)	2352 mm (92.6 in)	1800 mm (70.9 in)	1000 mm (39.4 in)	2	800 kg (1764 lb)	845 kg (1863 lb)
TCS0157	1800 mm (70.9 in)	2350 mm (92.5 in)	2352 mm (92.6 in)	1800 mm (70.9 in)	1000 mm (39.4 in)	2	800 kg (1764 lb)	815 kg (1797 lb)

## Positive / Negative jib

Jib equipped with basket for transporting people and materials.  
The particularity of this accessory is that it allows the operator to get off under the vehicle walking surface.



## Technical data



Code	A	B	C	A	C	Person icon	Weight icon	Weight icon
TSL0021	1640 mm (64.6 in)	2214 mm (87.2 in)	6729 mm (264.9 in)	1340 mm (52.8 in)	640 mm (25.2 in)	2	200 kg (441 lb)	745 kg (1642 lb)
TSL0106	1640 mm (64.6 in)	2214 mm (87.2 in)	6729 mm (264.9 in)	1340 mm (52.8 in)	640 mm (25.2 in)	2	200 kg (441 lb)	792 kg (1746 lb)

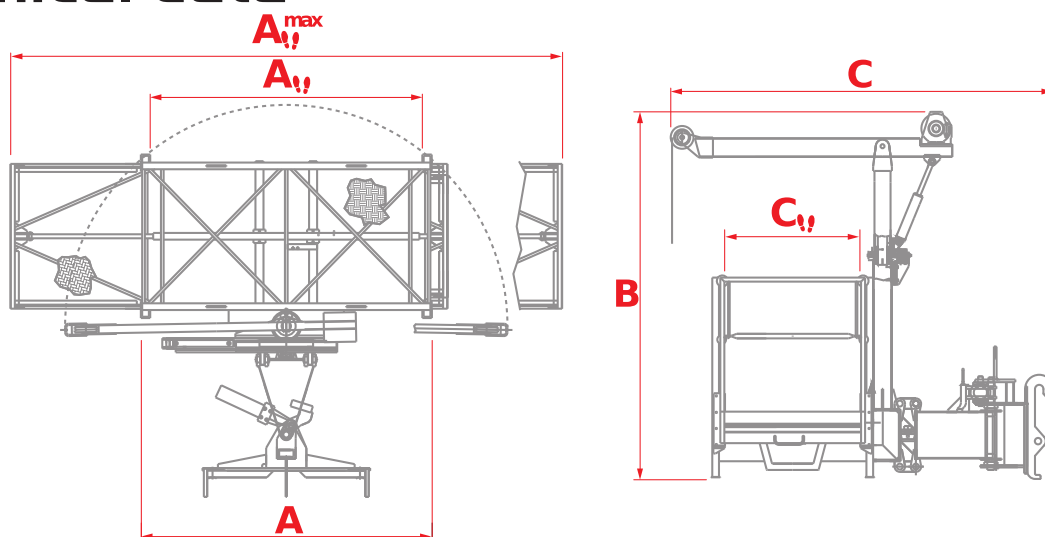


## Extensible trilateral basket with winch

Extensible trilateral basket suitable for transporting people and materials. The basket is equipped with an jib with integrated winch that allows lifting material easily even while remaining at height.



## Technical data



Code	A	B	C	C <sub>1</sub>	Hook	A <sup>max</sup>	A	C	Control	Person	Capacity	Weight
TCS0093	2406 mm (94,7 in)	2739 mm (107,8 in)	2554 mm (100,6 in)	-	Single	4116 mm (162.0 in)	2150 mm (84.6 in)	1000 mm (39.4 in)	Hydraulic	3	600 kg (1323 lb)	1215 kg (2679 lb)
TCS0163	2406 mm (94,7 in)	2739 mm (107,8 in)	2554 mm (100,6 in)	-	Single	4116 mm (162.0 in)	2150 mm (84.6 in)	1000 mm (39.4 in)	Hydraulic	3	600 kg (1323 lb)	1200 kg (2646 lb)
TCS0203	4120 mm (162.2 in)	2730 mm (107.5 in)	2921 mm (115.0 in)	2922 mm (115.0 in)	SIMPLE	4120 mm (162.2 in)	4000 mm (157.5 in)	1000 mm (39.4 in)	Hydraulic	3	600 kg (1323 lb)	1205 kg (2657 lb)

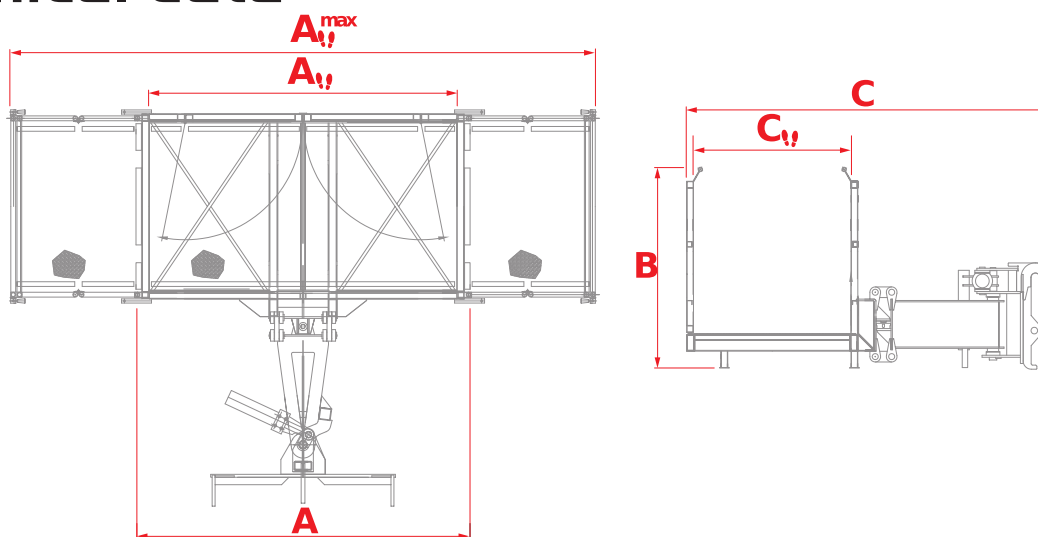
## Extensible trilateral basket with front opening

Trilateral hydraulic rotation basket, manually extendable, suitable for transporting people and materials at height.

The particular design allows opening a double swing door so that operators can get out.



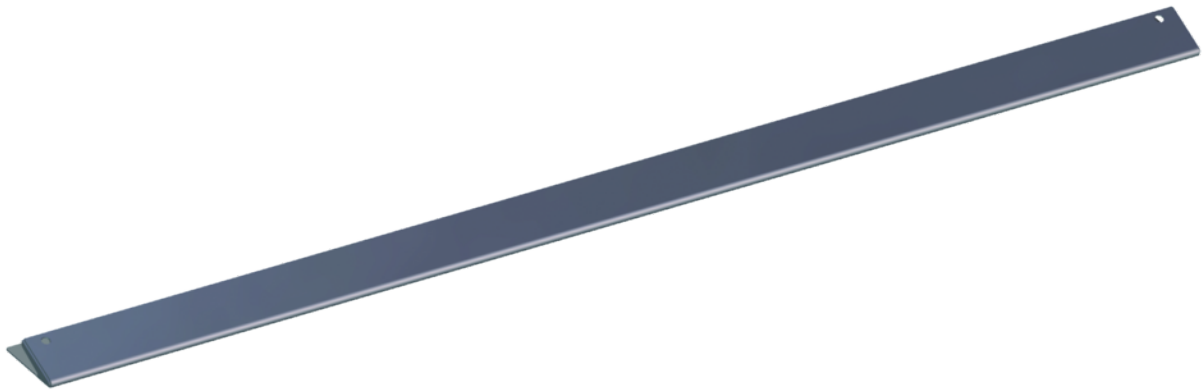
## Technical data



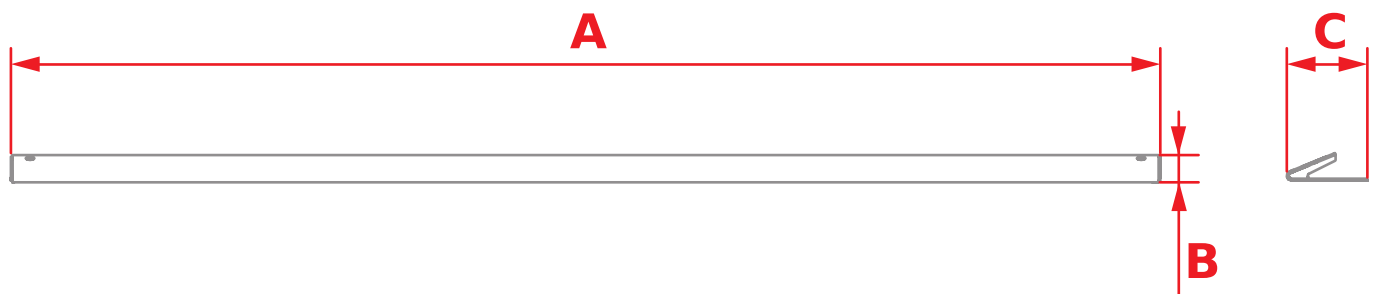
Code	A	B	C	A <sup>max</sup>	A	C	→	Person	Weight	Capacity
TCS0184	2455 mm (96.7 in)	1500 mm (59.1 in)	2684 mm (105.7 in)	3960 mm (155.9 in)	2200 mm (86.6 in)	1200 mm (47.2 in)	Manuale	2	450 kg (992 lb)	850 kg (1874 lb)
TCS0185	2455 mm (96.7 in)	1500 mm (59.1 in)	2684 mm (105.7 in)	3960 mm (155.9 in)	2200 mm (86.6 in)	1200 mm (47.2 in)	Manuale	2	450 kg (992 lb)	850 kg (1874 lb)
TCS0197	2455 mm (96.7 in)	1500 mm (59.1 in)	2680 mm (105.5 in)	4000 mm (157.5 in)	2400 mm (94.5 in)	1200 mm (47.2 in)	Manuale	2	450 kg (992 lb)	850 kg (1874 lb)

# Blade protector and/or teeth cover

Optional equipment on all types of buckets.



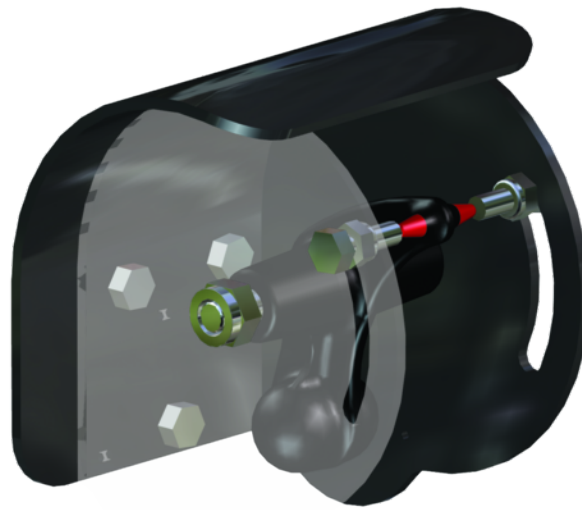
## Technical data



Code	A	B	C	
TBN0131	1980 mm (78.0 in)	47 mm (1.9 in)	139 mm (5.5 in)	15 kg (33 lb)
TBN0143	2300 mm (90.6 in)	47 mm (1.9 in)	139 mm (5.5 in)	15 kg (33 lb)
TBN0144	2400 mm (94.5 in)	47 mm (1.9 in)	139 mm (5.5 in)	15 kg (33 lb)
TBN0230	2100 mm (82.7 in)	47 mm (1.9 in)	139 mm (5.5 in)	15 kg (33 lb)
TBN0231	1900 mm (74.8 in)	47 mm (1.9 in)	139 mm (5.5 in)	15 kg (33 lb)
TBN0234	2450 mm (96.5 in)	47 mm (1.9 in)	139 mm (5.5 in)	15 kg (33 lb)
TBN0334	1630 mm (64.2 in)	47 mm (1.9 in)	140 mm (5.5 in)	6 kg (13 lb)

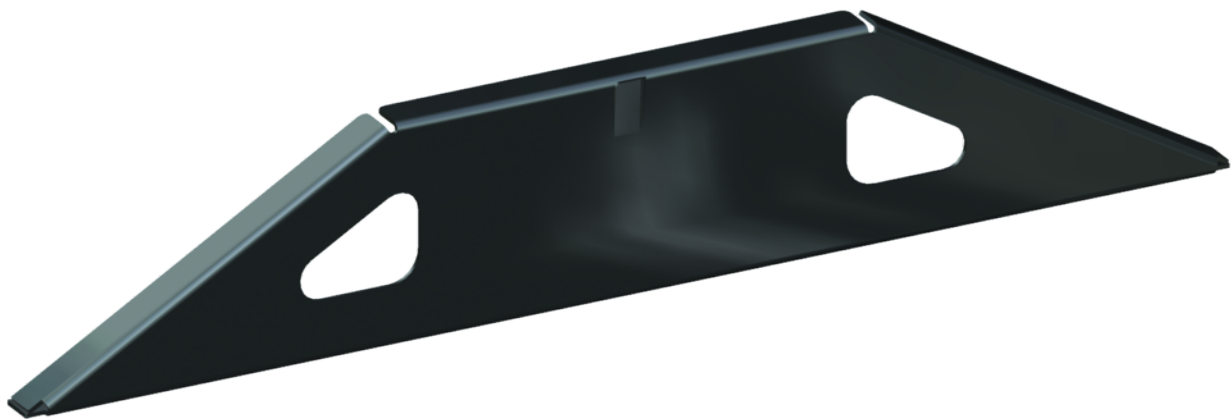
## Level indicator

Optional equipment on all types of buckets and forks.

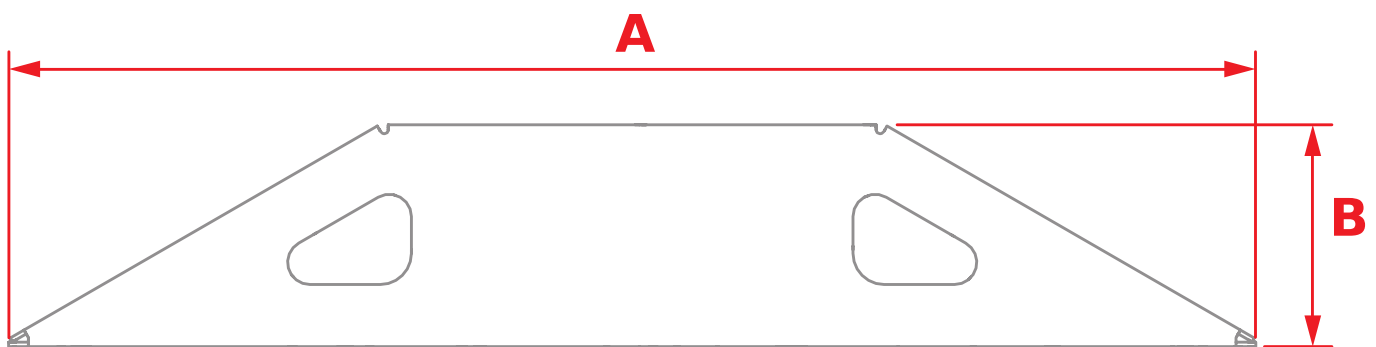


## Full rear guard

Optional equipment for:  
 Bucket for light materials  
 Excavating bucket with teeth  
 Excavating bucket without teeth  
 4 in 1 bucket



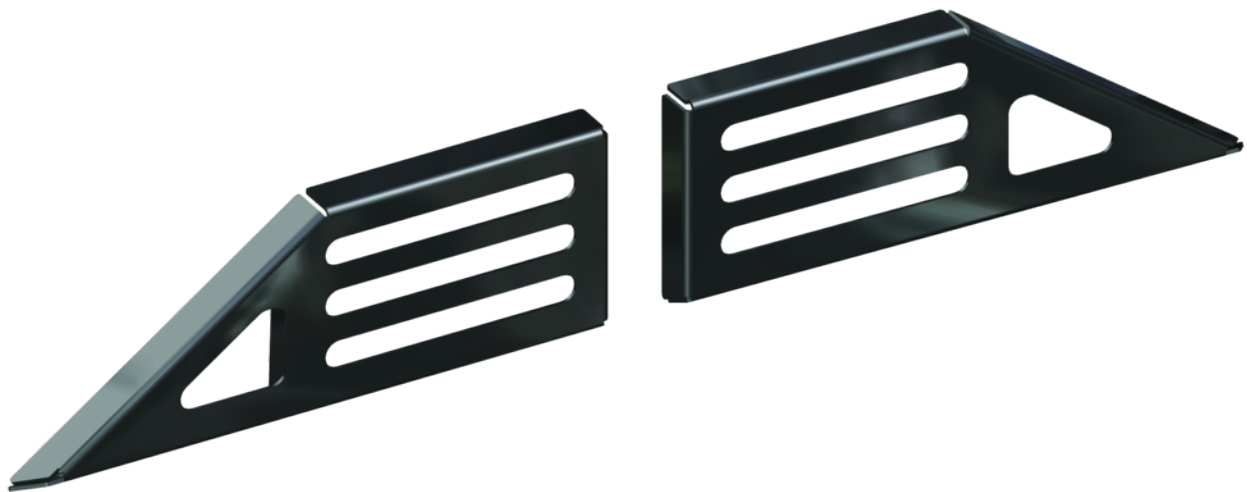
## Technical data



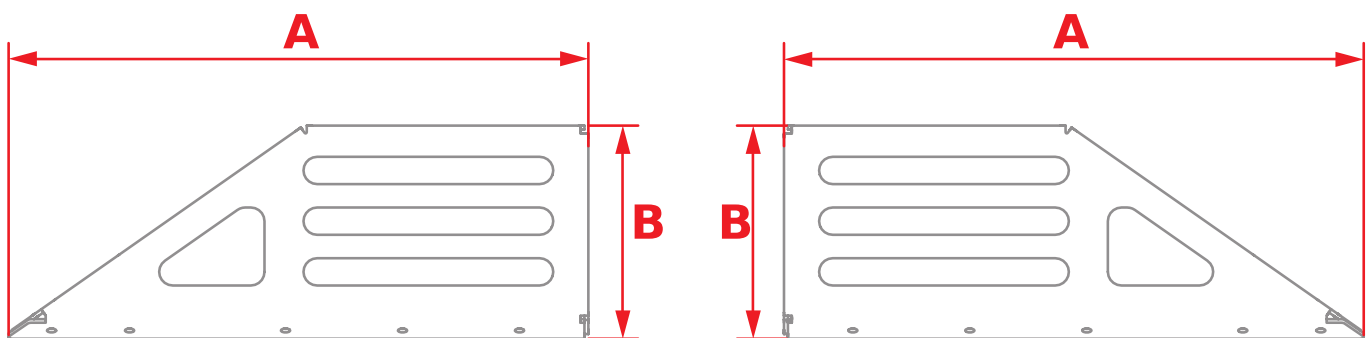
Code	A	B	C	
TBN0129	1406 mm (55.4 in)	250 mm (9.8 in)	-	15 kg (33 lb)
TBN0141	1750 mm (68.9 in)	400 mm (15.7 in)	-	25 kg (55 lb)
TBN0251	1750 mm (68.9 in)	400 mm (15.7 in)	-	25 kg (55 lb)
TBN0357	1700 mm (66.9 in)	400 mm (15.7 in)	50 mm (2.0 in)	25 kg (55 lb)

## Split rear guard

Optional equipment for:  
Forks with grab  
Bucket with grab



## Technical data



Code	A	B	
TBN0130	743 mm (29.3 in)	273 mm (10.7 in)	10 kg (22 lb)
TBN0142	743 mm (29.3 in)	423 mm (16.7 in)	10 kg (22 lb)
TBN0252	743 mm (29.3 in)	423 mm (16.7 in)	10 kg (22 lb)

## Detailed table of contents

TBN0013	<b>26</b>	TBN0130	<b>97</b>	TBN0205	<b>7</b>	TBN0281	<b>26</b>
TBN0020	<b>6</b>	TBN0131	<b>94</b>	TBN0206	<b>7</b>	TBN0282	<b>27</b>
TBN0021	<b>6</b>	TBN0132		TBN0207	<b>7</b>	TBN0283	<b>33</b>
TBN0022	<b>6</b>	TBN0133	<b>26</b>	TBN0208	<b>7</b>	TBN0284	<b>33</b>
TBN0023	<b>6</b>	TBN0134	<b>26</b>	TBN0209	<b>7</b>	TBN0285	<b>31</b>
TBN0026	<b>6</b>	TBN0135	<b>26</b>	TBN0210	<b>7</b>	TBN0286	<b>31</b>
TBN0027	<b>6</b>	TBN0136	<b>12</b>	TBN0212	<b>7</b>	TBN0287	<b>29</b>
TBN0034	<b>34</b>	TBN0137	<b>33</b>	TBN0213	<b>26</b>	TBN0288	<b>29</b>
TBN0036	<b>26</b>	TBN0138	<b>33</b>	TBN0215	<b>26</b>	TBN0291	<b>27</b>
TBN0037	<b>10</b>	TBN0141	<b>96</b>	TBN0216	<b>26</b>	TBN0292	<b>27</b>
TBN0038	<b>10</b>	TBN0142	<b>97</b>	TBN0218	<b>33</b>	TBN0293	<b>33</b>
TBN0039	<b>12</b>	TBN0143	<b>94</b>	TBN0220	<b>33</b>	TBN0294	<b>33</b>
TBN0040	<b>12</b>	TBN0144	<b>94</b>	TBN0221	<b>33</b>	TBN0295	<b>31</b>
TBN0042	<b>6</b>	TBN0150	<b>12</b>	TBN0223	<b>33</b>	TBN0296	<b>31</b>
TBN0043	<b>6</b>	TBN0151	<b>12</b>	TBN0224	<b>31</b>	TBN0297	<b>29</b>
TBN0044	<b>6</b>	TBN0156	<b>12</b>	TBN0226	<b>31</b>	TBN0298	<b>29</b>
TBN0045	<b>6</b>	TBN0157	<b>12</b>	TBN0227	<b>31</b>	TBN0300	<b>12</b>
TBN0047	<b>6</b>	TBN0162	<b>10</b>	TBN0229	<b>31</b>	TBN0301	<b>12</b>
TBN0048	<b>6</b>	TBN0163	<b>10</b>	TBN0230	<b>94</b>	TBN0302	<b>10</b>
TBN0051	<b>34</b>	TBN0165	<b>6</b>	TBN0231	<b>94</b>	TBN0303	<b>35</b>
TBN0053	<b>6</b>	TBN0166	<b>6</b>	TBN0234	<b>94</b>	TBN0304	<b>35</b>
TBN0054	<b>6</b>	TBN0167	<b>6</b>	TBN0240	<b>31</b>	TBN0305	<b>35</b>
TBN0061	<b>34</b>	TBN0168	<b>6</b>	TBN0241	<b>31</b>	TBN0312	<b>35</b>
TBN0068	<b>10</b>	TBN0169	<b>6</b>	TBN0242	<b>29</b>	TBN0313	<b>35</b>
TBN0076	<b>6</b>	TBN0170	<b>7</b>	TBN0243	<b>29</b>	TBN0314	<b>13</b>
TBN0077	<b>34</b>	TBN0171	<b>7</b>	TBN0246	<b>29</b>	TBN0315	<b>13</b>
TBN0091	<b>12</b>	TBN0172	<b>7</b>	TBN0247	<b>29</b>	TBN0316	<b>7</b>
TBN0092	<b>12</b>	TBN0174	<b>26</b>	TBN0251	<b>96</b>	TBN0317	<b>7</b>
TBN0093	<b>10</b>	TBN0175	<b>26</b>	TBN0252	<b>97</b>	TBN0318	<b>35</b>
TBN0094	<b>6</b>	TBN0176	<b>26</b>	TBN0253	<b>26</b>	TBN0319	<b>35</b>
TBN0095	<b>6</b>	TBN0177	<b>33</b>	TBN0254	<b>29</b>	TBN0320	<b>7</b>
TBN0102	<b>10</b>	TBN0178	<b>33</b>	TBN0255	<b>29</b>	TBN0321	<b>7</b>
TBN0104	<b>12</b>	TBN0179	<b>33</b>	TBN0258	<b>26</b>	TBN0322	<b>7</b>
TBN0105	<b>10</b>	TBN0180	<b>33</b>	TBN0262	<b>26</b>	TBN0325	<b>27</b>
TBN0106	<b>6</b>	TBN0181	<b>12</b>	TBN0263	<b>26</b>	TBN0326	<b>13</b>
TBN0107	<b>6</b>	TBN0183	<b>12</b>	TBN0264	<b>26</b>	TBN0327	<b>10</b>
TBN0108	<b>6</b>	TBN0185	<b>12</b>	TBN0265	<b>33</b>	TBN0328	<b>13</b>
TBN0109	<b>6</b>	TBN0186	<b>12</b>	TBN0266	<b>33</b>	TBN0329	<b>7</b>
TBN0113	<b>33</b>	TBN0188	<b>12</b>	TBN0267	<b>31</b>	TBN0330	<b>7</b>
TBN0114	<b>6</b>	TBN0190	<b>12</b>	TBN0268	<b>31</b>	TBN0331	<b>33</b>
TBN0115	<b>12</b>	TBN0191	<b>10</b>	TBN0269	<b>29</b>	TBN0332	<b>33</b>
TBN0116	<b>12</b>	TBN0194	<b>10</b>	TBN0270	<b>29</b>	TBN0334	<b>94</b>
TBN0117	<b>10</b>	TBN0195	<b>7</b>	TBN0271	<b>26</b>	TBN0335	<b>13</b>
TBN0120	<b>26</b>	TBN0196	<b>7</b>	TBN0272	<b>26</b>	TBN0336	<b>13</b>
TBN0121	<b>10</b>	TBN0197	<b>7</b>	TBN0273	<b>26</b>	TBN0337	<b>10</b>
TBN0122	<b>12</b>	TBN0198	<b>7</b>	TBN0274	<b>33</b>	TBN0338	<b>7</b>
TBN0123	<b>12</b>	TBN0199	<b>7</b>	TBN0275	<b>33</b>	TBN0339	<b>7</b>
TBN0124	<b>6</b>	TBN0200	<b>7</b>	TBN0276	<b>31</b>	TBN0340	<b>35</b>
TBN0126	<b>33</b>	TBN0201	<b>7</b>	TBN0277	<b>31</b>	TBN0343	<b>7</b>
TBN0127	<b>6</b>	TBN0202	<b>7</b>	TBN0278	<b>29</b>	TBN0344	<b>27</b>
TBN0128	<b>6</b>	TBN0203	<b>7</b>	TBN0279	<b>29</b>	TBN0345	<b>27</b>
TBN0129	<b>96</b>	TBN0204	<b>7</b>	TBN0280	<b>26</b>	TBN0349	<b>13</b>

TBN0350	10	TCS0070	85	TCS0174	87	TCV0056	56
TBN0351	13	TCS0071	80	TCS0175	24	TCV0057	18
TBN0352	8	TCS0075	85	TCS0177	80	TCV0059	18
TBN0353	8	TCS0076	85	TCS0179	87	TCV0060	58
TBN0354	8	TCS0089	80	TCS0180	24	TCV0061	15
TBN0355	8	TCS0091	80	TCS0184	93	TCV0062	59
TBN0356	13	TCS0092	23	TCS0185	93	TCV0063	54
TBN0357	96	TCS0093	92	TCS0186	80	TCV0064	54
TBN0359	35	TCS0095	80	TCS0188	85	TCV0065	54
TBN0360	35	TCS0099	85	TCS0189	87	TCV0066	54
TBN0362	8	TCS0101	87	TCS0190	87	TCV0067	54
TBN0363	8	TCS0103	87	TCS0193	80	TCV0068	54
TBN0364	35	TCS0109	23	TCS0194	80	TCV0069	54
TBN0365	35	TCS0123	80	TCS0195	81	TCV0073	57
TCS0001	79	TCS0124	80	TCS0196	85	TCV0074	57
TCS0002	23	TCS0125	80	TCS0197	93	TCV0075	15
TCS0003	79	TCS0126	82	TCS0198	87	TCV0078	16
TCS0004	79	TCS0127	83	TCS0199	87	TCV0082	58
TCS0005	79	TCS0128	85	TCS0200	88	TCV0083	58
TCS0006	82	TCS0129	85	TCS0203	92	TCV0087	18
TCS0007	82	TCS0136	80	TCV0001	55	TCV0088	18
TCS0008	84	TCS0137	80	TCV0002	14	TCV0092	56
TCS0009	84	TCS0138	80	TCV0006	15	TCV0093	57
TCS0010	86	TCS0139	80	TCV0007	14	TCV0094	18
TCS0011	86	TCS0140	83	TCV0008	55	TCV0095	18
TCS0012	86	TCS0141	83	TCV0009	55	TFR0001	19
TCS0013	86	TCS0142	85	TCV0011	14	TFR0004	19
TCS0014	86	TCS0143	85	TCV0012	55	TFR0005	19
TCS0015	87	TCS0144	87	TCV0014	17	TFR0007	19
TCS0016	23	TCS0145	87	TCV0015	58	TFR0008	20
TCS0017	79	TCS0146	85	TCV0016	58	TFR0010	20
TCS0018	82	TCS0147	85	TCV0019	53	TFR0011	20
TCS0019	84	TCS0148	87	TCV0020	53	TFR0017	20
TCS0020	87	TCS0149	87	TCV0021	53	TFR0018	20
TCS0021	87	TCS0154	89	TCV0023	53	TFR0021	20
TCS0022	80	TCS0155	90	TCV0029	17	TFR0022	20
TCS0024	82	TCS0156	90	TCV0030	17	TFR0023	20
TCS0026	84	TCS0157	90	TCV0031	17	TFR0024	20
TCS0028	87	TCS0158	23	TCV0032	17	TFR0025	20
TCS0030	87	TCS0159	87	TCV0034	15	TFR0028	20
TCS0034	89	TCS0160	87	TCV0035	55	TFR0029	20
TCS0035	89	TCS0161	85	TCV0037	56	TFR0039	20
TCS0036	89	TCS0162	85	TCV0042	56	TFR0041	20
TCS0037	89	TCS0163	92	TCV0043	15	TFR0042	20
TCS0044	80	TCS0164	80	TCV0045	60	TFR0043	20
TCS0045	23	TCS0165	80	TCV0047	53	TFR0046	20
TCS0046	87	TCS0166	83	TCV0048	54	TFR0051	20
TCS0047	84	TCS0167	85	TCV0049	18	TFR0052	20
TCS0048	85	TCS0168	87	TCV0052	18	TFR0053	20
TCS0066	80	TCS0169	85	TCV0053	56	TFR0058	20
TCS0067	23	TCS0170	87	TCV0054	18	TFR0064	20
TCS0069	80	TCS0172	80	TCV0055	60	TGN0002	46



TGN0003	<b>44</b>	TGN0105	<b>47</b>	TSL0045	<b>77</b>	TSL0145	<b>66</b>
TGN0007	<b>21</b>	TGN0107	<b>49</b>	TSL0046	<b>77</b>	TSL0146	<b>67</b>
TGN0008	<b>22</b>	TGN0108	<b>50</b>	TSL0060	<b>66</b>	TSL0147	<b>66</b>
TGN0009	<b>40</b>	TGN0109	<b>36</b>	TSL0064	<b>72</b>	TSL0148	<b>66</b>
TGN0010	<b>39</b>	TGN0110	<b>36</b>	TSL0065	<b>72</b>	TSL0149	<b>67</b>
TGN0011	<b>42</b>	TGN0111	<b>50</b>	TSL0067	<b>77</b>	TSL0150	<b>66</b>
TGN0013	<b>39</b>	TGN0115	<b>39</b>	TSL0068	<b>77</b>	TSL0152	<b>69</b>
TGN0015	<b>36</b>	TGN0116	<b>51</b>	TSL0070	<b>68</b>	TSL0153	<b>69</b>
TGN0016	<b>46</b>	TGN0117	<b>51</b>	TSL0071	<b>67</b>	TSL0154	<b>75</b>
TGN0017	<b>44</b>	TGN0118	<b>47</b>	TSL0075	<b>71</b>	TSL0159	<b>66</b>
TGN0018	<b>21</b>	TGN0119	<b>45</b>	TSL0076	<b>71</b>	TSL0160	<b>71</b>
TGN0019	<b>22</b>	TGN0120	<b>47</b>	TSL0077	<b>74</b>	TSL0161	<b>75</b>
TGN0020	<b>40</b>	TGN0121	<b>51</b>	TSL0078	<b>66</b>	TSL0163	<b>67</b>
TGN0021	<b>39</b>	TGN0122	<b>52</b>	TSL0079	<b>66</b>	TSL0164	<b>72</b>
TGN0023	<b>49</b>	TGN0123	<b>48</b>	TSL0081	<b>71</b>	TSL0165	<b>67</b>
TGN0025	<b>39</b>	TGN0292	<b>36</b>	TSL0082	<b>71</b>	TSL0166	<b>72</b>
TGN0034	<b>46</b>	TGN0293	<b>36</b>	TSL0083	<b>74</b>	TSL0167	<b>67</b>
TGN0035	<b>44</b>	TGN0294	<b>36</b>	TSL0084	<b>75</b>	TSL0168	<b>73</b>
TGN0036	<b>21</b>	TGN0295	<b>37</b>	TSL0085	<b>66</b>	TSL0169	<b>69</b>
TGN0037	<b>39</b>	TGN0296	<b>37</b>	TSL0086	<b>66</b>	TSL0171	<b>75</b>
TGN0038	<b>43</b>	TGN0299	<b>42</b>	TSL0088	<b>68</b>	TSL0172	<b>78</b>
TGN0039	<b>41</b>	TSL0001	<b>65</b>	TSL0089	<b>68</b>	TSL0175	<b>69</b>
TGN0040	<b>42</b>	TSL0002	<b>70</b>	TSL0090	<b>72</b>	TSL0176	<b>69</b>
TGN0041	<b>61</b>	TSL0003	<b>65</b>	TSL0091	<b>77</b>	TSL0177	<b>69</b>
TGN0042	<b>62</b>	TSL0004	<b>70</b>	TSL0092	<b>69</b>		
TGN0053	<b>63</b>	TSL0006	<b>74</b>	TSL0094	<b>71</b>		
TGN0055	<b>39</b>	TSL0007	<b>76</b>	TSL0095	<b>71</b>		
TGN0063	<b>22</b>	TSL0008	<b>65</b>	TSL0096	<b>71</b>		
TGN0064	<b>51</b>	TSL0009	<b>70</b>	TSL0098	<b>77</b>		
TGN0065	<b>51</b>	TSL0010	<b>68</b>	TSL0106	<b>91</b>		
TGN0066	<b>51</b>	TSL0011	<b>65</b>	TSL0108	<b>71</b>		
TGN0067	<b>50</b>	TSL0012	<b>70</b>	TSL0110	<b>71</b>		
TGN0068	<b>45</b>	TSL0013	<b>65</b>	TSL0112	<b>71</b>		
TGN0069	<b>47</b>	TSL0014	<b>70</b>	TSL0115	<b>75</b>		
TGN0074	<b>51</b>	TSL0016	<b>68</b>	TSL0116	<b>78</b>		
TGN0076	<b>50</b>	TSL0017	<b>68</b>	TSL0117	<b>75</b>		
TGN0077	<b>50</b>	TSL0018	<b>74</b>	TSL0118	<b>78</b>		
TGN0081	<b>46</b>	TSL0019	<b>76</b>	TSL0121	<b>78</b>		
TGN0082	<b>44</b>	TSL0020	<b>74</b>	TSL0123	<b>75</b>		
TGN0083	<b>21</b>	TSL0021	<b>91</b>	TSL0124	<b>78</b>		
TGN0084	<b>22</b>	TSL0030	<b>68</b>	TSL0125	<b>72</b>		
TGN0085	<b>40</b>	TSL0031	<b>65</b>	TSL0126	<b>78</b>		
TGN0086	<b>39</b>	TSL0032	<b>70</b>	TSL0127	<b>69</b>		
TGN0087	<b>42</b>	TSL0033	<b>66</b>	TSL0128	<b>75</b>		
TGN0088	<b>46</b>	TSL0034	<b>71</b>	TSL0129	<b>78</b>		
TGN0089	<b>44</b>	TSL0035	<b>66</b>	TSL0130	<b>69</b>		
TGN0090	<b>40</b>	TSL0036	<b>71</b>	TSL0131	<b>69</b>		
TGN0091	<b>39</b>	TSL0038	<b>74</b>	TSL0132	<b>78</b>		
TGN0092	<b>46</b>	TSL0041	<b>66</b>	TSL0140	<b>69</b>		
TGN0093	<b>44</b>	TSL0042	<b>71</b>	TSL0141	<b>69</b>		
TGN0094	<b>40</b>	TSL0043	<b>74</b>	TSL0143	<b>66</b>		
TGN0096	<b>39</b>	TSL0044	<b>77</b>	TSL0144	<b>66</b>		